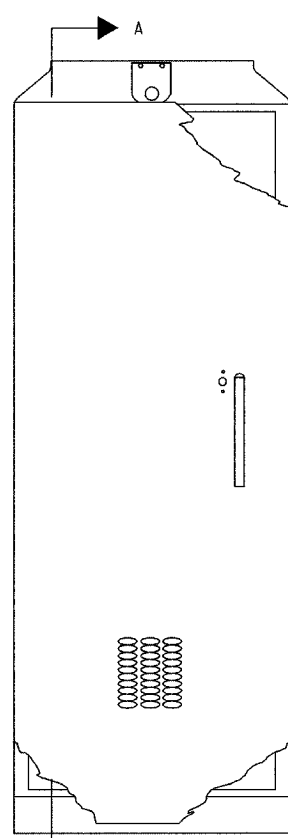
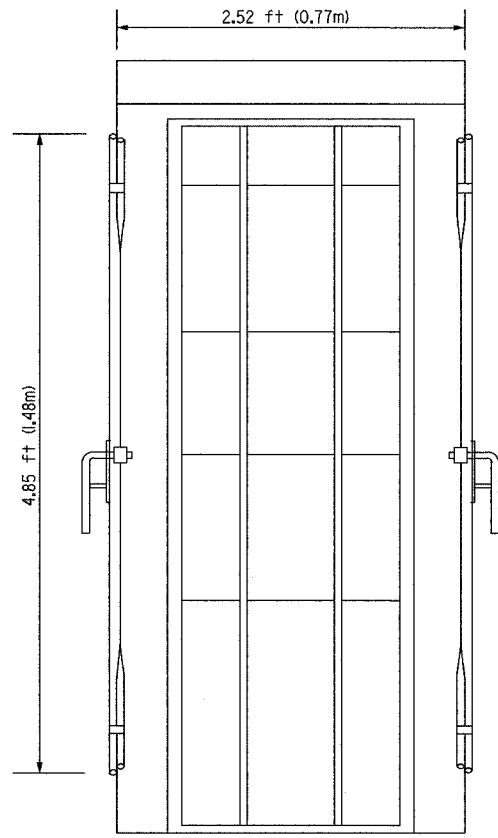


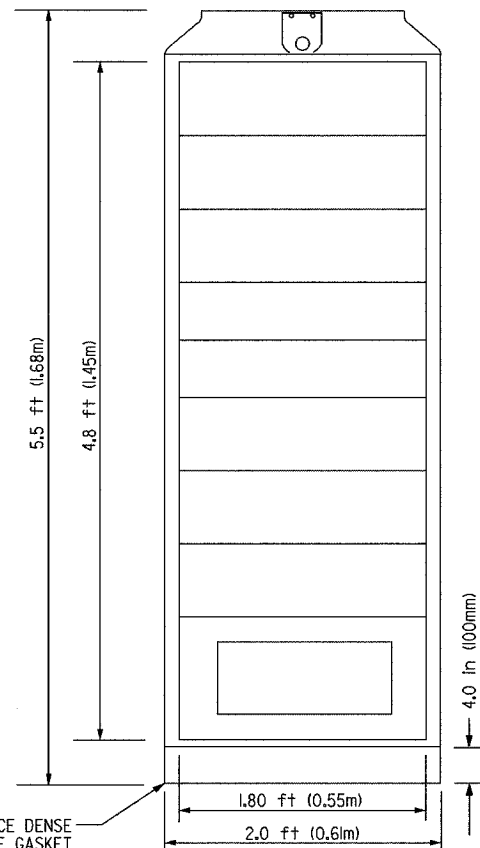
F.A.I. RTE.	SECTION	COUNTY	TOTAL SHEETS	SHEET NO.
74	(90-11R-290 13,14,14-1R-1)	TAZEWELL	1366	1337
STA.		TO STA.		
FED. ROAD DIST. NO.		ILLINOIS FED. AID PROJECT		
68201				



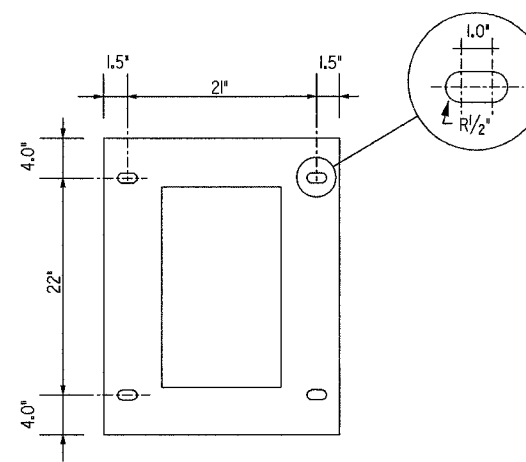
FRONT VIEW
(DOOR CLOSED)
(MODEL 334)



SECTION A-A
FOUNDATION MOUNTED CABINET
(MODEL 334)



FRONT VIEW
(DOOR REMOVED)
(MODEL 334)



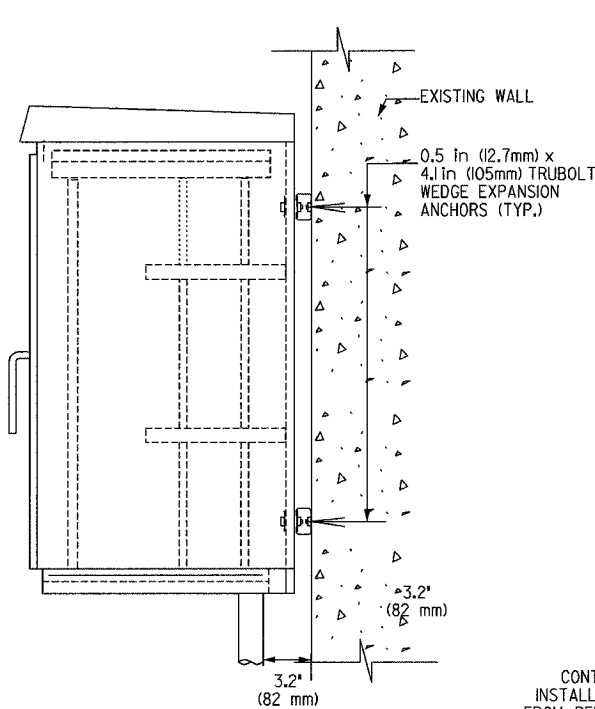
BOTTOM VIEW
(MODEL 334)

NOTES (TYPE A, B & C CABINET):

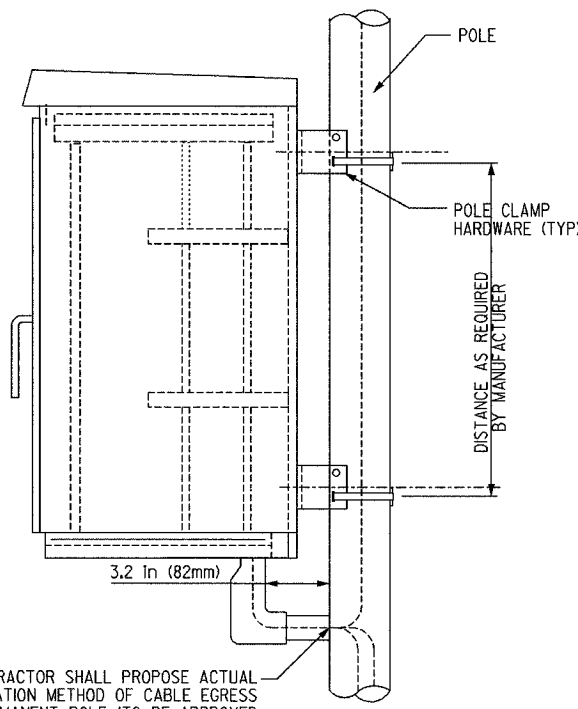
1. ALL DIMENSIONS ARE IN FT (M) UNLESS OTHERWISE NOTED.
2. THE BOTTOM OF THE TYPE A AND B CABINETS SHALL BE 32 TO 44" (0.813 TO 1.18M) HIGH ABOVE FINISHED SURFACE. THE TYPE C CABINET SHALL BE MOUNTED NEAR THE TOP OF THE POLE (OR AS APPROVED BY THE ENGINEER).
3. ALL MATERIALS AND LABOR SHALL BE PAID UNDER ITEM FOR EQUIPMENT CABINET OF THE MOUNTING AND TYPE SHOWN UNLESS OTHERWISE NOTED.
4. THE CONTRACTOR SHALL PROVIDE A MANUFACTURER'S FURCATION KIT CONSISTING OF PROTECTIVE TUBING WITH INTERNAL STRENGTH MEMBERS, A FAN-OUT INSERT AND OUTER HOUSING. THIS KIT SHALL PROVIDE NECESSARY PHYSICAL PROTECTION TO THE FIBERS THAT ARE DIRECTLY CONNECTED TO THE EQUIPMENT. THE CONTRACTOR SHALL FURNISH AND INSTALL TYPE ST CONNECTORS ON ALL FIBERS AND CONNECT THEM TO THE TERMINAL EQUIPMENT. THE CONTRACTOR SHALL PLACE A PROTECTIVE POUCH AROUND THE CONNECTORS NOT TERMINATED ON EQUIPMENT.

NOTES (MODEL 334 CABINET):

1. REFER TO SPECIAL PROVISIONS FOR CABINET DETAILS AND ADDITIONAL REQUIREMENTS.
2. CABINET ENTRIES INCLUDE VERTICAL ARRANGEMENT FOR MAJOR EQUIPMENT ITEMS ONLY.
3. THERE WILL BE ADDITIONAL ITEMS INSTALLED IN THE CABINET ON SIDE AND BACK PANELS AS PER THE SPECIAL PROVISIONS.
4. THE CONTRACTOR SHALL INSTALL INSULATED BUSHINGS AND DUCT SEALANT AT ALL CONDUIT BEND TERMINATIONS IN FOUNDATIONS.
5. CONCRETE BASE TO BE FORMED AT LEAST 6.0 IN (150MM) ABOVE THE GROUND SURFACE.
6. CONCRETE BASE MUST BE CAST IN PLACE.
7. ALL WORK INDICATED SHALL BE PAID FOR UNDER ITEM CABINET, MODEL 334 EXCLUSIVE OF THE CONCRETE FOUNDATION.

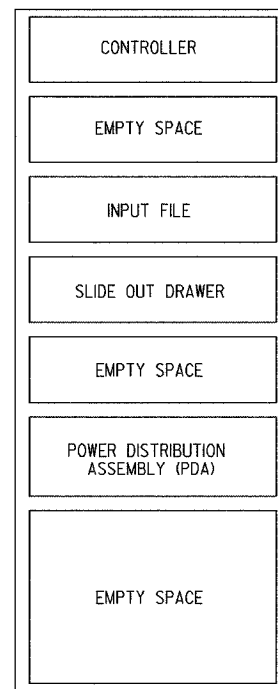


WALL MOUNTED CABINET
TYPE A, B & C

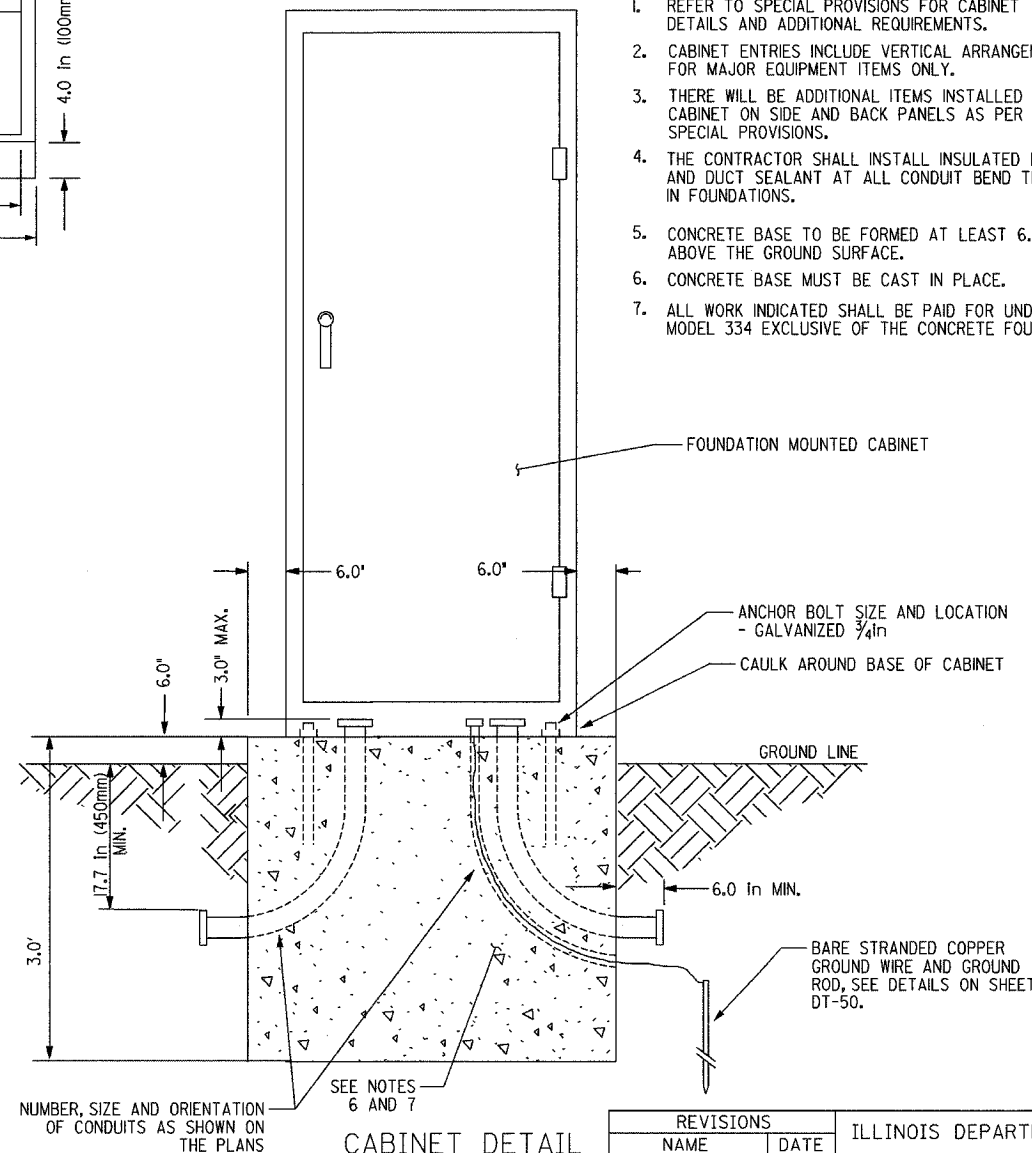


EQUIPMENT CABINET

POLE MOUNTED CABINET
TYPE A, B & C



CONTROL CABINET
LAYOUT (TYPICAL)
(MODEL 334)



CABINET DETAIL
CONCRETE BASE MOUNTED
(MODEL 334)

ITS SHEET 12 OF 13

REVISIONS	
NAME	DATE

ILLINOIS DEPARTMENT OF TRANSPORTATION
ITS PLAN

EQUIPMENT CABINET
DETAIL

SCALE
DATE 12/20/04

DRAWN BY TM
CHECKED BY MJL

**Edwards
AND
Kelcey**