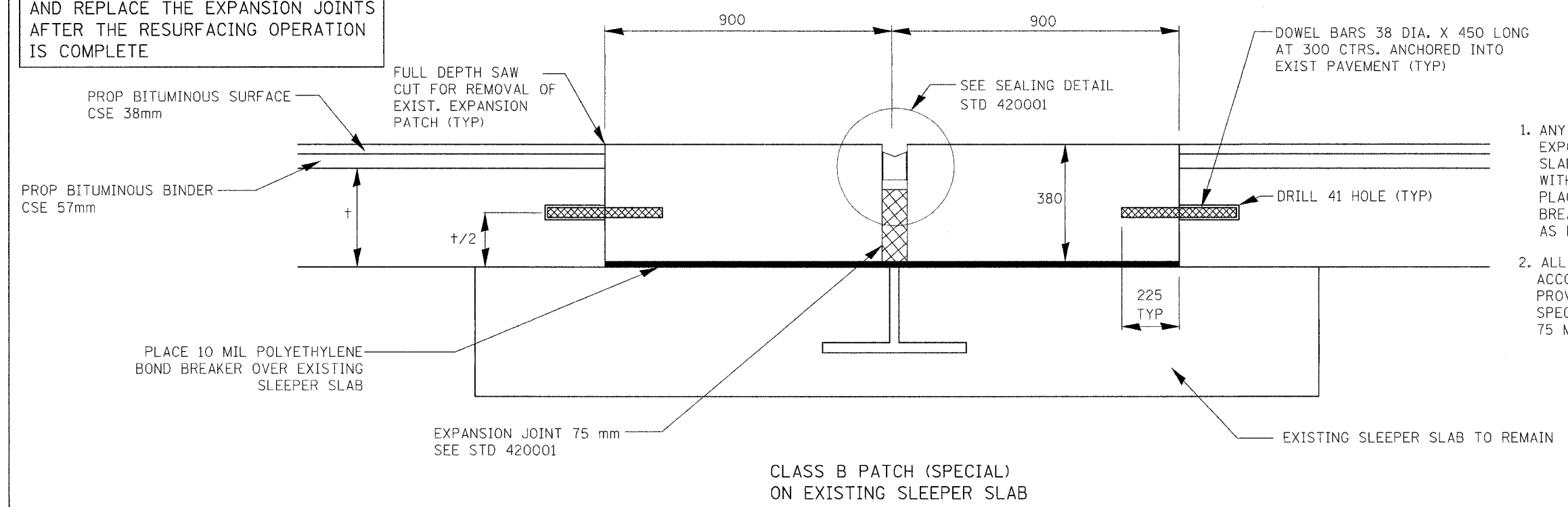


F.A.I. RTE.	SECTION	COUNTY	TOTAL SHEETS	SHEET NO.
74		TAZEWELL	13	23
STA.	TO STA.		FED. ROAD DIST. NO.	
			ILLINOIS FED. AID PROJECT	

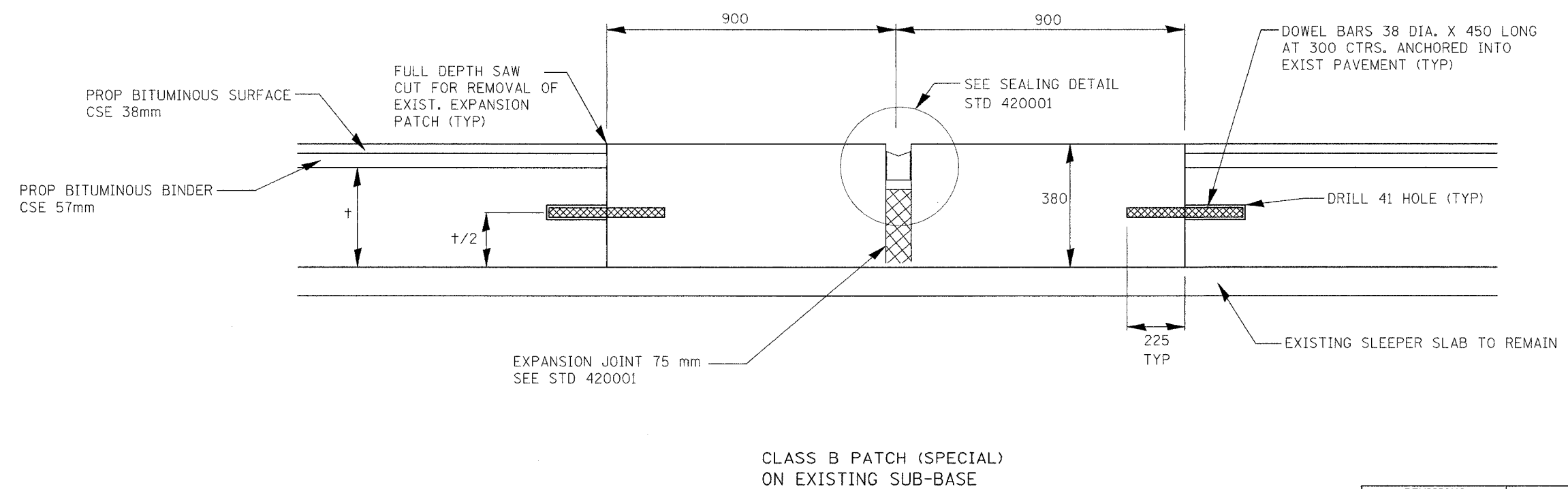
*(90-11R-2;90(13,14,14-1)R-1

THE CONTRACTOR SHALL REMOVE AND REPLACE THE EXPANSION JOINTS AFTER THE RESURFACING OPERATION IS COMPLETE



GENERAL NOTES

1. ANY UNSOUND CONCRETE ON THE EXPOSED PORTION OF THE SLEEPER SLAB SHALL BE REMOVED AND REPLACED WITH A NON SHRINK GROUT PRIOR TO PLACEMENT OF THE POLYETHYLENE BOND BREAKER. THIS WORK WILL BE PAID FOR AS PER ARTICLE 109.04.
2. ALL WORK SHALL BE PERFORMED IN ACCORDANCE WITH THE SPECIAL PROVISIONS FOR, "CLASS B PATCH SPECIAL", AND "EXPANSION JOINT 75 MM".



All dimensions are in millimeters (inches) unless otherwise noted.

REVISIONS	
NAME	DATE

ILLINOIS DEPARTMENT OF TRANSPORTATION
 CLASS B PATCHES (SPECIAL)
 DRAWN BY CEM
 CHECKED BY CEM
 DATE 11/29/04