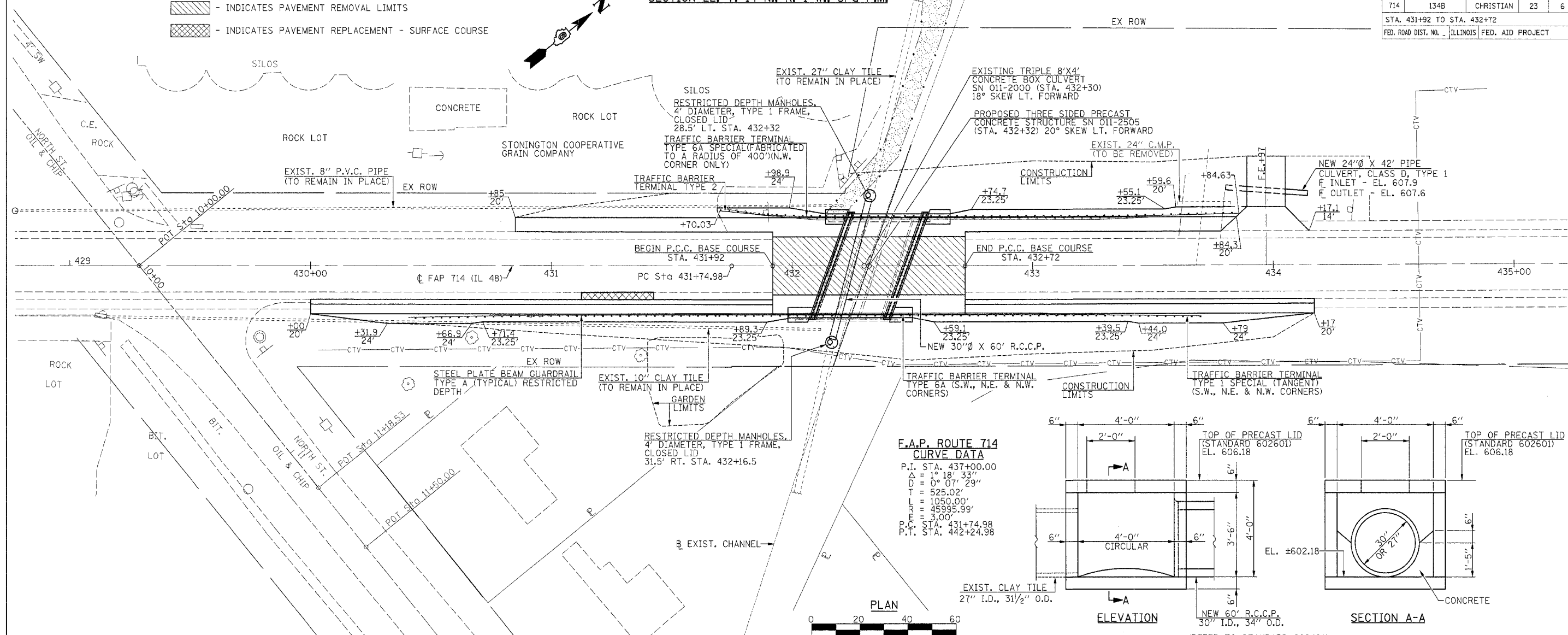


12938

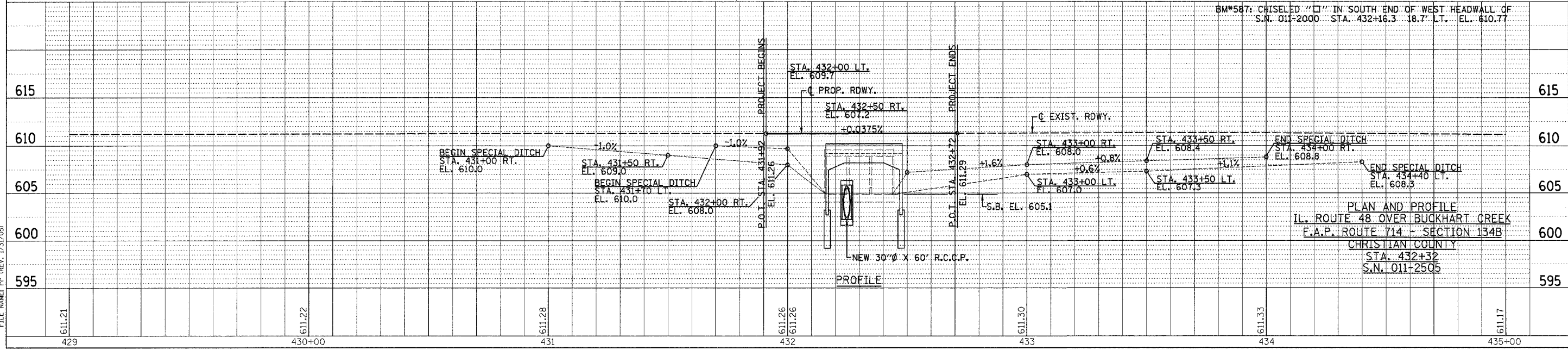
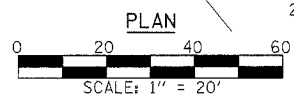
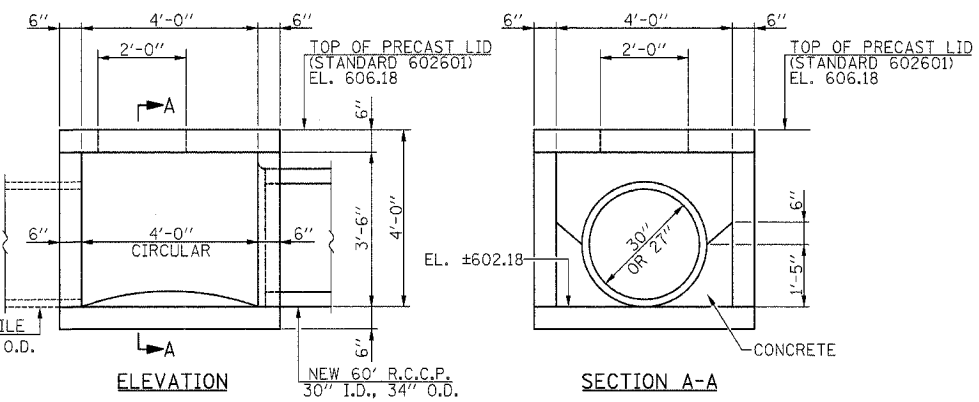
F.A.P. RTE.	SECTION	COUNTY	TOTAL SHEETS	SHEET NO.
714	134B	CHRISTIAN	23	6
STA. 431+92 TO STA. 432+72				
FED. ROAD DIST. NO. ILLINOIS FED. AID PROJECT				

SECTION 22, T. 14 N., R. 1 W., 3rd P.M.

- INDICATES PAVEMENT REMOVAL LIMITS
- INDICATES PAVEMENT REPLACEMENT - SURFACE COURSE



**F.A.P. ROUTE 714 CURVE DATA**  
 P.I. STA. 437+00.00  
 $\Delta = 1^{\circ} 18' 33''$   
 $D = 0^{\circ} 07' 29''$   
 $T = 525.02'$   
 $L = 1050.00'$   
 $M = 45935.99'$   
 $P.D. = 5.00'$   
 P.O.B. STA. 431+74.98  
 P.T. STA. 442+24.98



PLAN AND PROFILE  
 IL. ROUTE 48 OVER BUCKHART CREEK  
 F.A.P. ROUTE 714 - SECTION 134B  
 CHRISTIAN COUNTY  
 STA. 432+32  
 S.N. 011-2505

DATE	BY

DATE	BY

FILE NAME: PP REV. 1/31/05