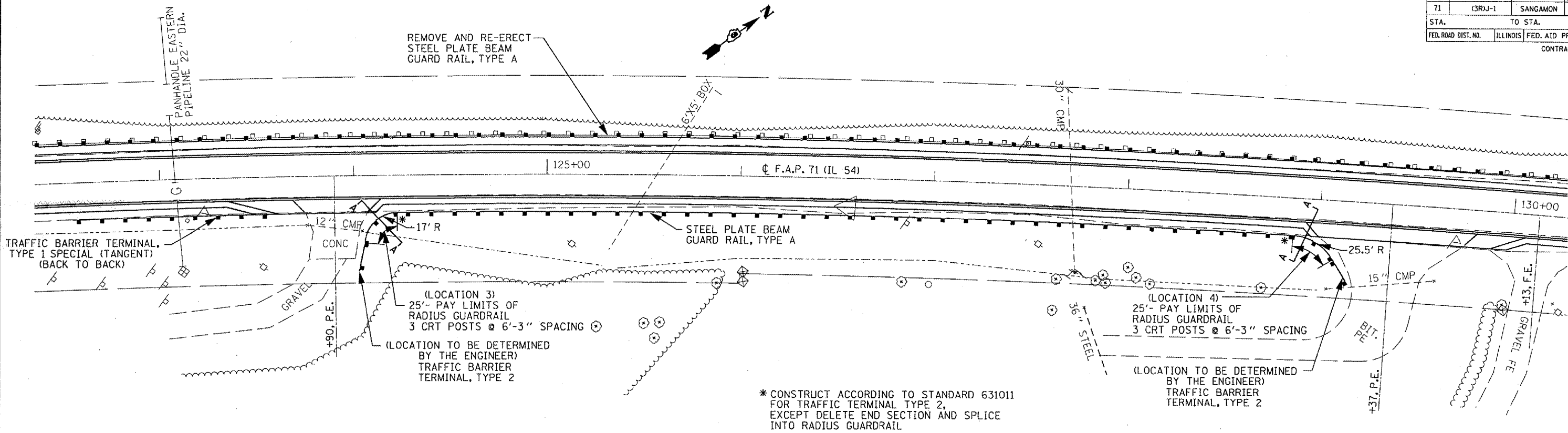
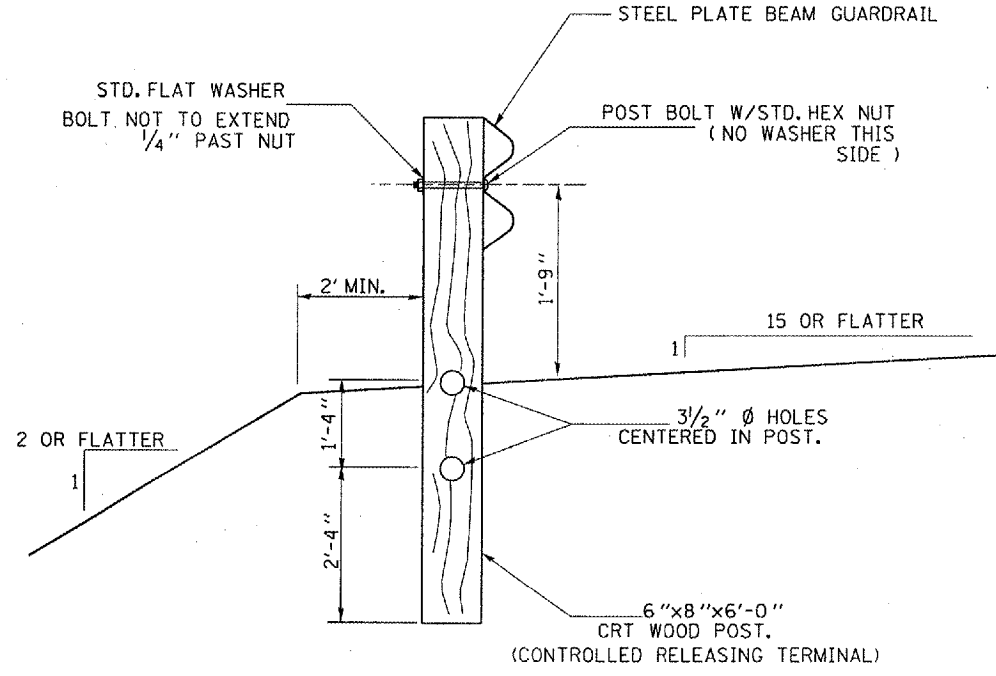
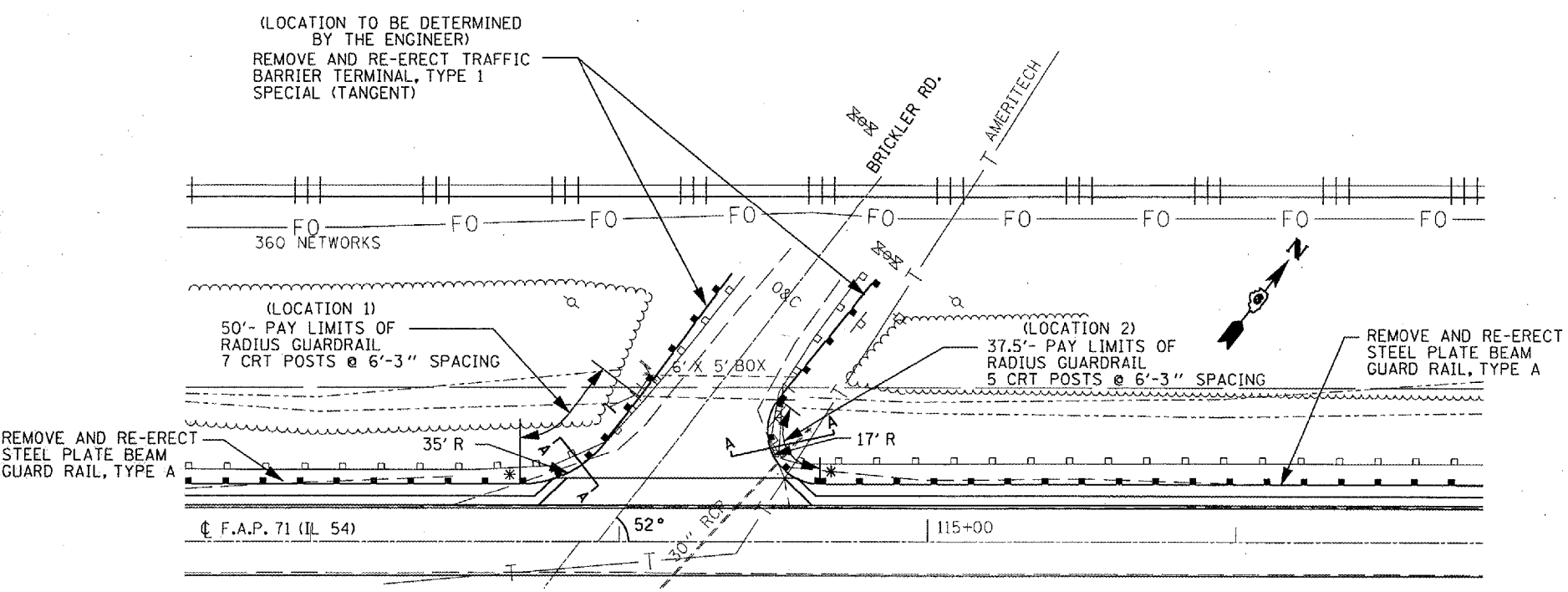


F.A.P. RTE.	SECTION	COUNTY	TOTAL SHEETS	SHEET NO.
71	(3RJ-1)	SANGAMON	10	10
STA.	TO STA.			
FED. ROAD DIST. NO.	ILLINOIS	FED. AID PROJECT		
CONTRACT NO. 72966				



* CONSTRUCT ACCORDING TO STANDARD 631011 FOR TRAFFIC TERMINAL TYPE 2, EXCEPT DELETE END SECTION AND SPLICE INTO RADIUS GUARDRAIL



SECTION A-A

FOR INTERSECTION ANGLES OTHER THAN 85-95 DEGREES, REQUIRE THE USE OF FULL LENGTH GUARDRAIL PANELS (12'-6"), SHOP BENT TO THE DESIGN RADIUS IN 5 FOOT INCREMENTS.

SHORT RADIUS GUARDRAIL DETAIL

REVISIONS	
NAME	DATE
GUARDRAIL/TMJ	02-07-05

ILLINOIS DEPARTMENT OF TRANSPORTATION
SHORT RADIUS GUARDRAIL DETAIL
 FAP 71 (IL 54)
 SECTION (3RJ-1)
 SANGAMON COUNTY

SCALE: VERT. HORIZ. DATE 02-07-05 DRAWN BY TMJ CHECKED BY MEB

c:\projects\ed52901\c9651705\c9651705-ediusgr-draw.dgn
 2/7/2005
 REF:01