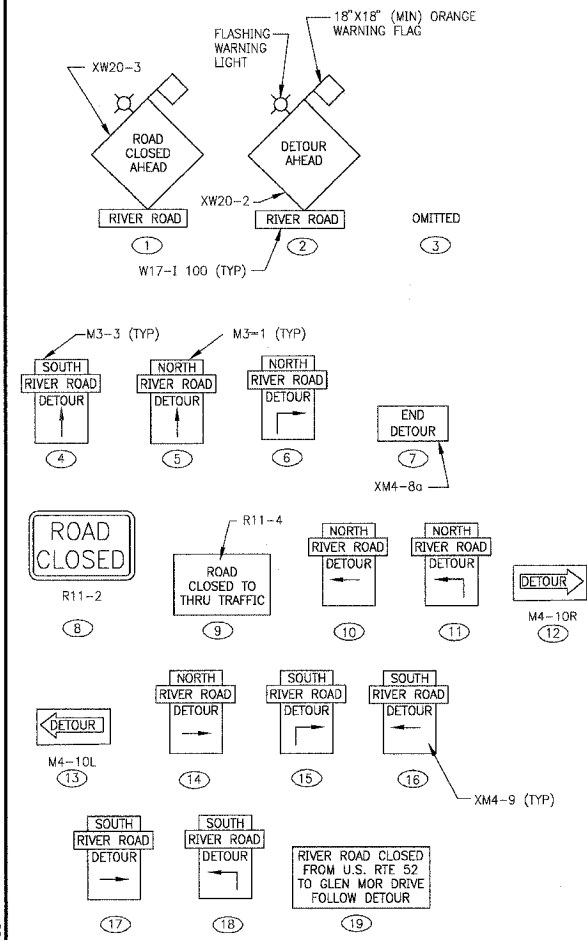


**GENERAL NOTES - ALL STAGES**

- EMERGENCY VEHICLE ACCESS SHALL BE MAINTAINED AT ALL TIMES WITHIN THE CONSTRUCTION WORK ZONE.
- THE CONTRACTOR SHALL PROVIDE A WRITTEN SEQUENCE OF CONSTRUCTION WITHIN 10 DAYS OF THE CONTRACT AWARD.
- THE SUGGESTED SEQUENCING'S INTENT IS TO COMPLETE THE STAGE 1 SECTION WITH MINIMAL LOSS OF ACCESS TO LOCAL BUSINESSES AND RESIDENCES, AND TO ASSURE THAT NO TWO-WAY CLOSURES ARE TO BE IN PLACE DURING WINTER SHUTDOWN SEASON IN COMPLIANCE WITH THE PROSECUTION AND PROGRESS SPECIAL PROVISIONS OF THE CONTRACT. UPON COMPLETION OF STAGE 1, STAGE 2 REQUIRES TWO-WAY TRAFFIC TO BE OPENED AND MAINTAINED AT ALL TIMES. ALL WORK NECESSARY TO COMPLY WITH THE INTENT OF THE PLAN IS CONSIDERED INCIDENTAL TO THE ITEM OF TRAFFIC CONTROL AND PROTECTION. THE CONTRACTOR SHALL COMPLY WITH ARTICLE 442.04 OF THE STANDARD SPECIFICATIONS, AND WORK TO BE IN ACCORDANCE WITH APPLICABLE STANDARDS.
- FURNISHING, PLACEMENT, RELOCATION, AND REMOVAL OF ALL TRAFFIC SIGNS SHALL BE INCLUDED IN THE COST OF TRAFFIC CONTROL AND PROTECTION. ALL CONFLICTING SIGNS SHALL BE COVERED AS DIRECTED BY THE ENGINEER, AND SHALL BE INCIDENTAL TO TRAFFIC CONTROL AND PROTECTION.
- THE COST FOR TEMPORARY PAVEMENT MARKING IN ACCORDANCE WITH THE APPLICABLE STANDARDS IS INCLUDED IN THE COST OF THE TRAFFIC CONTROL AND PROTECTION ITEM. ADDITIONAL QUANTITY HAS BEEN INCLUDED IN THE COST OF THE TRAFFIC CONTROL AND PROTECTION ITEM. ADDITIONAL QUANTITY HAS BEEN INCLUDED IN THE PLAN WHERE MODIFICATIONS TO THE EXISTING PAVEMENT MARKINGS ARE REQUIRED. COSTS FOR REMOVAL OF WORK ZONE PAVEMENT MARKINGS (PLACED PER APPLICABLE STANDARD OR AS SHOWN IN PLAN) SHALL BE INCIDENTAL TO THE TRAFFIC CONTROL AND PROTECTION PAY ITEM.
- THE CONTRACTOR SHALL MAINTAIN A MINIMUM OF 11' CLEAR ROADWAY PER DIRECTION OF TRAFFIC FLOW. INGRESS AND EGRESS TO DRIVEWAYS AND SIDE STREETS SHALL BE MAINTAINED. THIS WORK SHALL BE INCIDENTAL TO TRAFFIC CONTROL AND PROTECTION.
- ANY SHORT TERM ACTIVITY NECESSARY WHICH REQUIRES ENCROACHMENT ON TO THE LANE(S) OPEN TO TRAFFIC SHALL BE RESTRICTED TO WITHIN THE HOURS FROM 9:00 AM TO 3:00 PM. THESE CLOSURES SHALL BE IN ACCORDANCE WITH THE APPLICABLE STANDARDS.
- THE MAINTENANCE OF THE SHOULDERS AND DRAINAGE FACILITIES SHALL BE CONSIDERED INCIDENTAL TO EARTH EXCAVATION.
- TWO TYPES B FLASHING LIGHTS CONFORMING TO THE "MANUAL ON UNIFORM TRAFFIC CONTROL DEVICES", LATEST EDITION, SHALL BE PLACED ON EACH TYPE III BARRICADE.

**SUGGESTED SEQUENCE OF CONSTRUCTION**

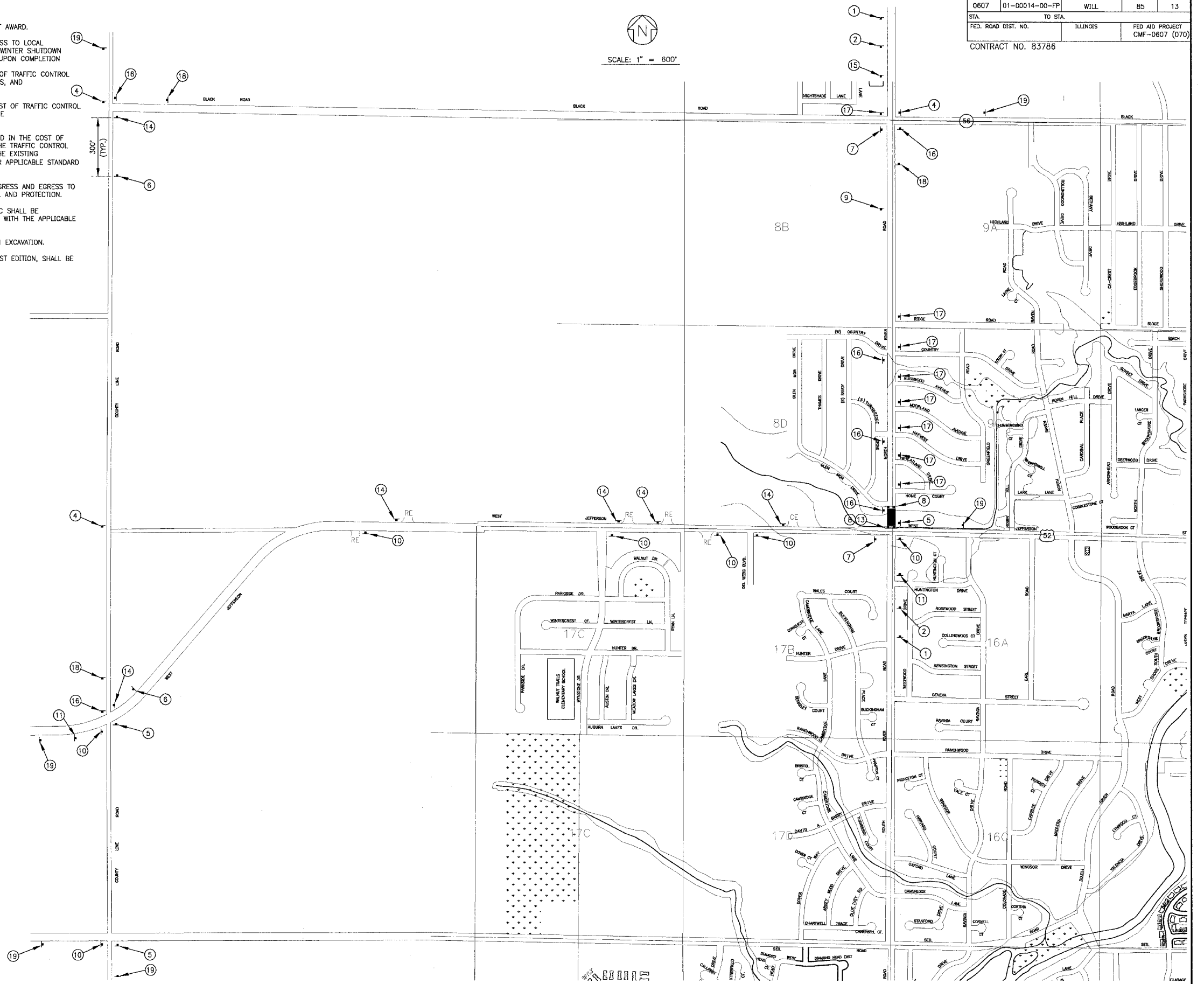
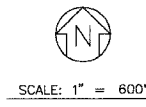


**SIGN DETAILS**

(SEE LOCAL DETOUR PLAN FOR LOCATIONS)  
 NOTE: TWO TYPE B FLASHING LIGHTS CONFORMING TO THE "MANUAL ON UNIFORM TRAFFIC CONTROL DEVICES", LATEST EDITION, SHALL BE PLACED ON EACH TYPE III BARRICADE.

F.A.P. ROUTE NO.	SECTION	COUNTY	TOTAL SHEETS	SHEET NO.
0607	01-0014-00-FP	WILL	85	13
STA.	TO STA.			
FED. ROAD DIST. NO.	ILLINOIS	FED AID PROJECT		
		CMF-0607 (070)		

CONTRACT NO. 83786



I:\SHR\010665\DWG\10665-MGT.dwg  
 Plotted: 1-04-05 @ 11:39am By: 231akh  
 Copyright © 2004, By Baxter & Woodman, Inc.  
 State of Illinois - Professional Design Firm  
 License No. 01-001121 - Expires 4-30-05

CONSULTANTS	REV. NO.	DATE	DESCRIPTION
	1	12-21-04	PER I.D.O.T. REVIEW

DRAWING FILE: PLOTTED BY:

**BAXTER & WOODMAN**  
 Consulting Engineers

**Baxter & Woodman**  
 Crystal Lake, Illinois 815.459.1260  
 Burlington, Wisconsin 262.763.7834  
 Mokena, Illinois 708.478.2090  
 DeKalb, Illinois 815.787.3111  
 Graystake, Illinois 847.223.5088  
 Rockford, Illinois 815.489.1551

**VILLAGE OF SHOREWOOD, ILLINOIS**  
**U.S. ROUTE 52 IMPROVEMENTS**

**MAINTENANCE OF TRAFFIC**  
**STAGE 2**  
**NORTH RIVER ROAD CLOSURE**

DESIGNED BY	SCALE
LDH	AS NOTED
DRAWN BY	PROJECT NO.
UKB	010665
CHECKED BY	SHEET NO.
LDH	
DATE	
10-05-04	<b>13 OF 85</b>