

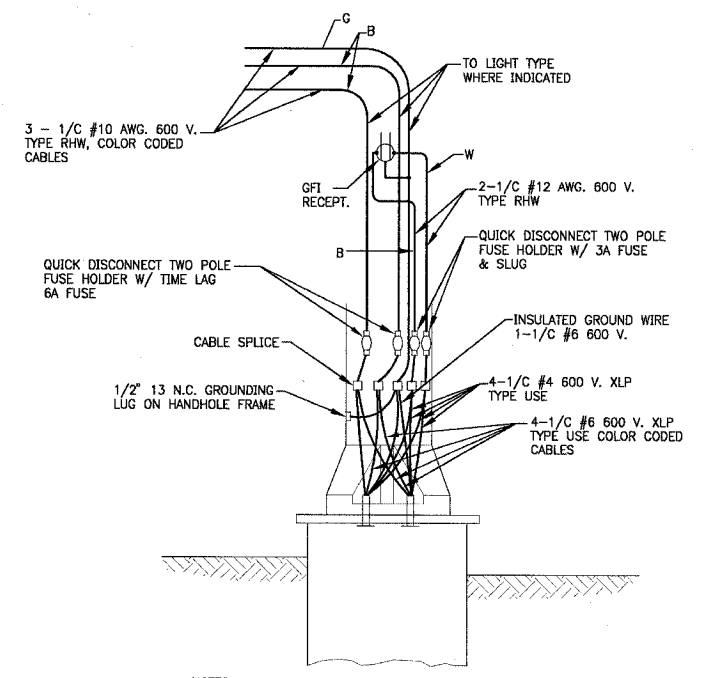
LOAD TABULATIONS FOR LIGHTING CONTROLLER C1

CIRCUIT	WATTS	AMPS
A	2900	12
B	4000	16.8
C	FUTURE	FUTURE
D1	2800	21
D2	3000	22.5
TOTAL	12,700	72.3

SUMMARY OF QUANTITIES
CONSTRUCTION TYPE CODE YQ30-1E

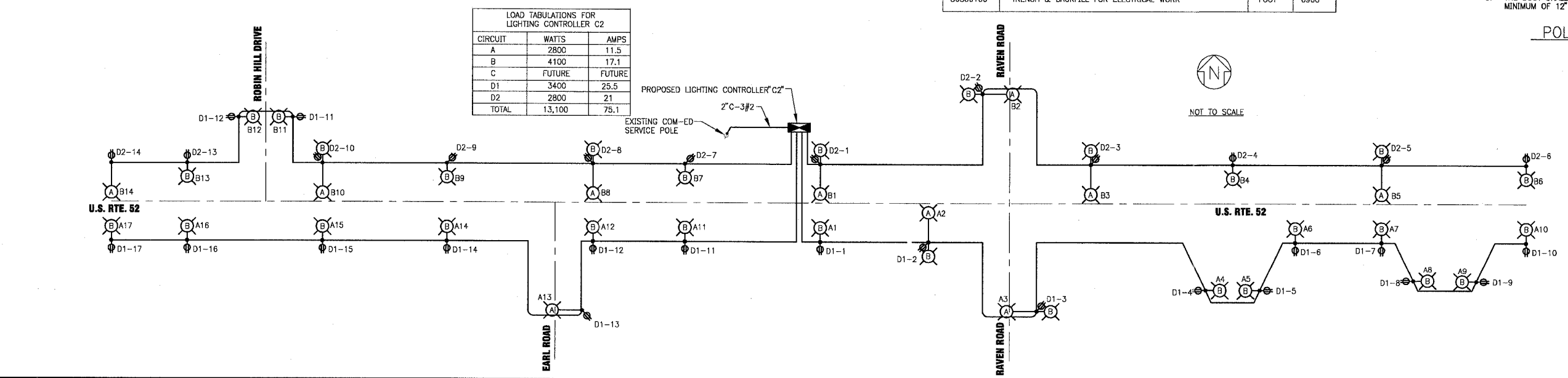
ITEM NO.	DESCRIPTION	UNIT	QUANTITY
80700110	GROUND ROD 3/4" DIA. X 10 FT.	EACH	62
B1000600	CONDUIT IN TRENCH, 2" DIA., GALVANIZED STEEL	FOOT	230
B1000700	CONDUIT IN TRENCH, 2 1/2" DIA., GALVANIZED STEEL	FOOT	650
B1018600	CONDUIT PUSHED, 2 1/2" DIA., GALVANIZED STEEL	FOOT	370
	UNIT DUCT 2-1/c NO. 6, 2#4, 3-1/c NO. 12 & 1/c NO. 6 GROUND, 600 V. (XLP-TYPE USE) 1 1/2" DIA. POLYETHYLENE	FOOT	180
	UNIT DUCT 2-1/c NO. 6, 2#4 AND 1/c NO. 6 GROUND, 600 V. (XLP-TYPE USE) 1 1/4" DIA. POLYETHYLENE	FOOT	8000
B1702400	ELECTRICAL CABLE IN CONDUIT, 600 V. (XLP-TYPE USE) 3-1/c No. 2	FOOT	320
	LIGHT POLE, STEEL FLUTED, 16 FT. M.H. 40 IN. ARM TYPE "B", SPECIAL	EACH	38
	LIGHT POLE, STEEL FLUTED, 35 FT. M.H. 10 FT. ARM TYPE "A", SPECIAL	EACH	10
	LIGHT POLE, STEEL FLUTED, 35 FT. M.H. 10 FT. ARM TYPE "A" WITH 16 FT. M.H. 33 IN. ARM, SPECIAL	EACH	12
B3600200	LIGHT POLE FOUNDATION, 24" DIA.	FOOT	190
B3600300	LIGHT POLE FOUNDATION, 30" DIA.	FOOT	176
	LUMINAIRE, SODIUM VAPOR, 70 WATT, TYPE "B", SPECIAL	EACH	50
	LUMINAIRE, SODIUM VAPOR, 310 WATT, TYPE "A", SPECIAL	EACH	20
	LUMINAIRE, SODIUM VAPOR, 310 WATT, TYPE "A" SPECIAL, WITH PHOTOCELL CONTROL	EACH	2
B4200700	REMOVAL OF EXISTING LIGHTING UNIT, SALVAGE	EACH	4
85500105	LIGHTING CONTROLLER, SPECIAL	EACH	2
86600100	ELECTRICAL SERVICE INSTALLATION	EACH	2
86600200	ELECTRICAL UTILITY SERVICE CONNECTION	L. SUM	1
86800100	TRENCH & BACKFILL FOR ELECTRICAL WORK	FOOT	6900

- EXISTING LIGHTING CONTROLLER
- LIGHTING CONTROLLER
- LIGHT POLE WITH 310 WATT HPS LUMINAIRE MOUNTED AT 35' MOUNTING HEIGHT
- LIGHT POLE WITH 70 WATT HPS LUMINAIRE MOUNTED AT 16' MOUNTING HEIGHT
- 120 VOLT GFCI RECEPTACLE



- NOTES:
- BOLT SLOTS SHALL BE 1 3/4"x2" CENTERED ON BOLT CIRCLE.
 - THE LIGHT POLE SHALL MEET AASHTO CRITERIA.
 - THE DUCT SHALL EXTEND INTO POLE A MINIMUM OF 12" ABOVE THE BASE.

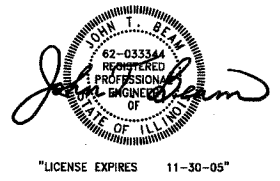
POLE BASE DETAIL
NO SCALE



LOAD TABULATIONS FOR LIGHTING CONTROLLER C2

CIRCUIT	WATTS	AMPS
A	2800	11.5
B	4100	17.1
C	FUTURE	FUTURE
D1	3400	25.5
D2	2800	21
TOTAL	13,100	75.1

1. SURVEY 010665.DWG'S 10665-LIGHT-1-LINE-DWG.dwg
 Plotted by JLR on 11/29/04 at 2:21:10
 Copyright © 2004 by Baxter & Woodman, Inc.
 State of Illinois - Professional Design Firm
 License No. 184-001121 - Expires 4-30-05



CONSULTANTS	REV. NO.	DATE	DESCRIPTION
	1	11-29-04	PER I.D.O.T. REVIEW
	2	12-21-04	PER I.D.O.T. REVIEW
	3	12-21-04	PER I.D.O.T. REVIEW

DRAWING FILE:	PLOTTED BY:
---------------	-------------

BAXTER & WOODMAN
 Consulting Engineers

Baxter & Woodman
 Crystal Lake, Illinois 815.459.1260
 Burlington, Wisconsin 262.763.7834
 Mokena, Illinois 708.478.2090
 DeKalb, Illinois 815.787.3111
 Grayslake, Illinois 847.225.5088
 Rockford, Illinois 815.489.1551

VILLAGE OF SHOREWOOD, ILLINOIS
U.S. ROUTE 52 IMPROVEMENTS

LIGHTING CONTROLLER
ONE LINE DIAGRAM

DESIGNED BY	JLR	SCALE	NONE
DRAWN BY	LUK	PROJECT NO.	010665
CHECKED BY	MDK	SHEET NO.	
DATE	10-05-04		