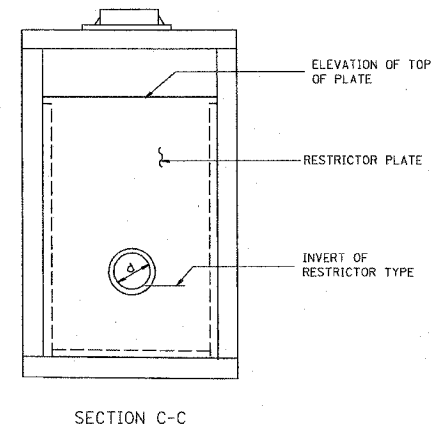
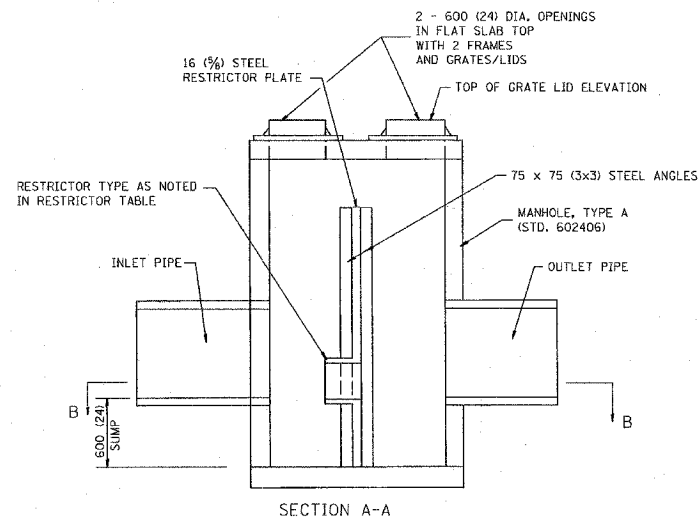
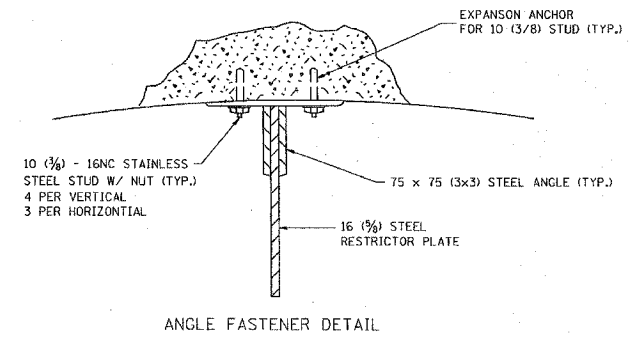
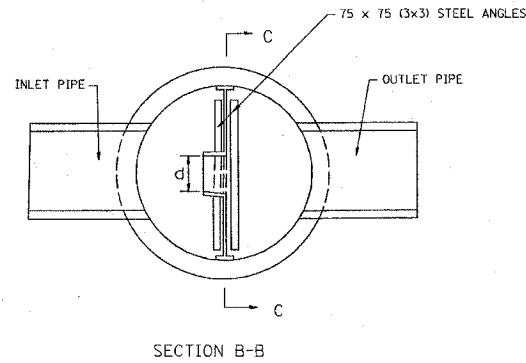
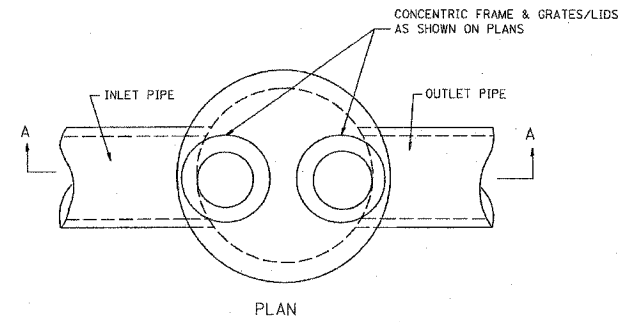
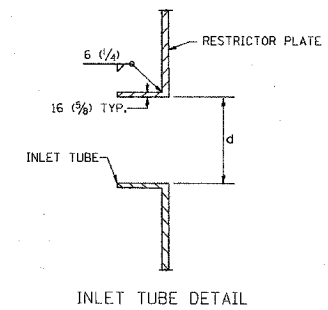


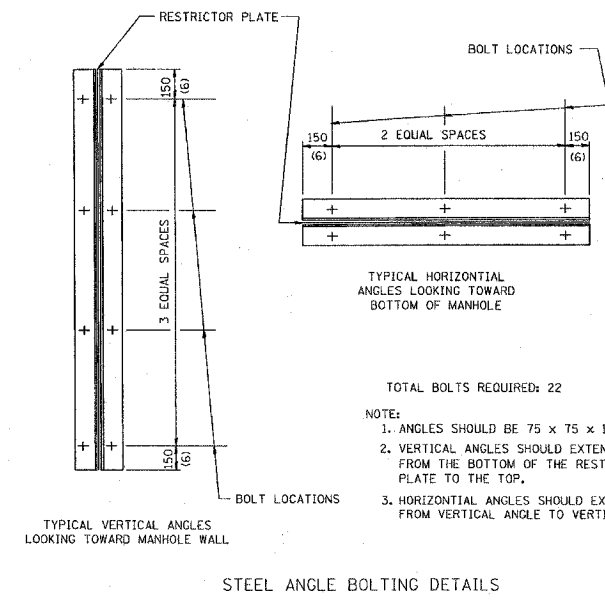
P. A. SHE.	SECTION	COUNTY	TOTAL SHEETS	SHEET NO.
D607	01-00014-00-FP	WILL.	85	74
STA.	TO STA.			
FED. ROAD DIST. NO.	BLK/MS	FED. AID PROJECT		
CONTRACT NO.: 83786		CMF-0607 (070)		



- NOTES:
- ALL STEEL ANGLES AND PLATES TO BE GALVANIZED AFTER FABRICATION.
 - ALL RESTRICTOR PLATES, ANGLES AND HARDWARE TO BE INCLUDED IN THE COST OF THE MANHOLE.
 - BASIS OF PAYMENT: "MANHOLES, TYPE A, 1.8m (6FT.) DIAMETER, TYPE 1 FRAME, CLOSED LID, RESTRICTOR PLATE" EACH



STATION	MANHOLE DIAMETER	FRAME AND GRATE	RESTRICTOR TYPE	INSIDE RESTRICTOR TYPE DIAMETER mm (in.) (d)	INVERT OF RESTRICTOR TYPE	ELEVATION OF TOP OF PLATE OVERFLOW
27+50, 21.5' LT	4' DIA.	TY 24	3	18	610.14	613.03
31+50, 21.5' LT	4' DIA.	TY 24	3	12	609.78	612.65
39+87, 29' LT	4' DIA.	TY 24	3	12	610.82	613.21



RESTRICTOR TYPE					
1	2	3	4	5	6
RE-ENTRANT TUBE	SHARP EDGED	SQUARE EDGED	RE-ENTRANT TUBE	SQUARE EDGED	ROUNDED
LENGTH: 1/2 TO 1 DIA.		STREAM CLEARS SIDES	LENGTH: 2-1/2 DIA.	LENGTH: 2-1/2 DIA.	
C=.52	C=.61	C=.61	C=.73	C=.82	C=.98

VALUES OF "C" FOR CIRCULAR AND SQUARE ORIFICES

ALL DIMENSIONS ARE IN MILLIMETERS (INCHES) UNLESS OTHERWISE SHOWN.

ILLINOIS DEPARTMENT OF TRANSPORTATION

MANHOLE WITH RESTRICTOR PLATE

SCALE: NONE
DATE ##DATE##

DRAWN BY
CHECKED BY

REVISIONS	
NAME	DATE
R. SHAH	09/09/94
R. SHAH	10/25/94
E. GOMEZ	08/28/00
M. GOMEZ	01/08/01

DATE-TIME
DGN-SPEC
VI-BD12

B0600-04 (B0-12)