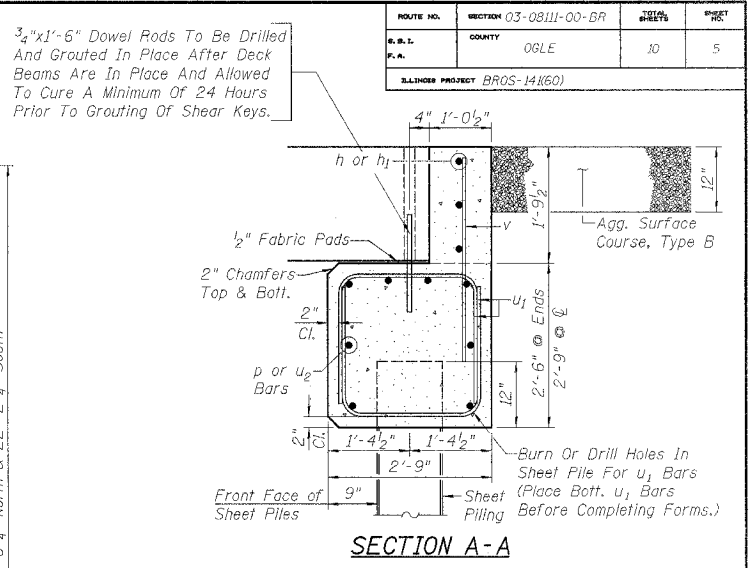
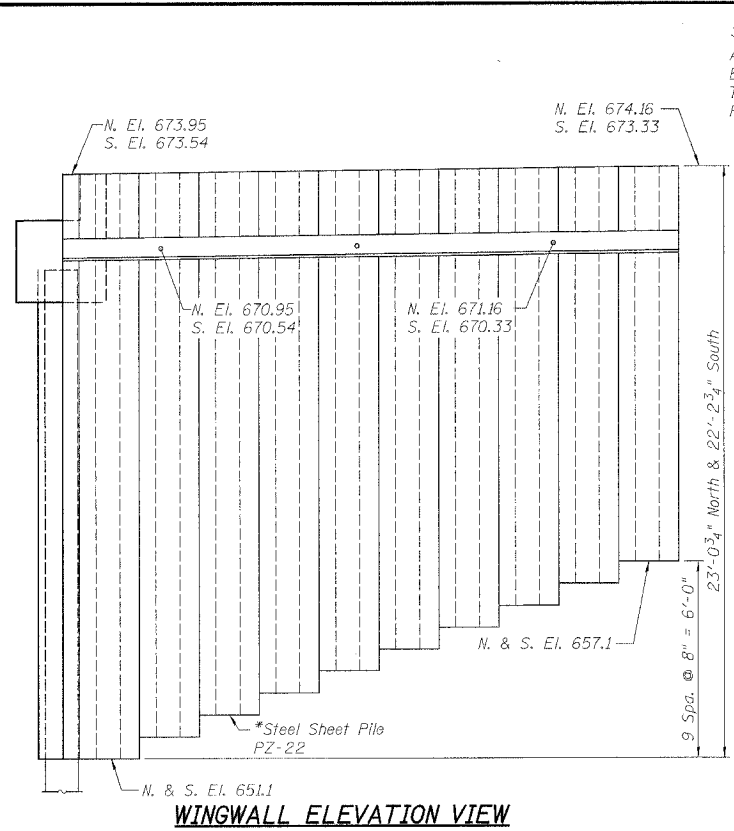
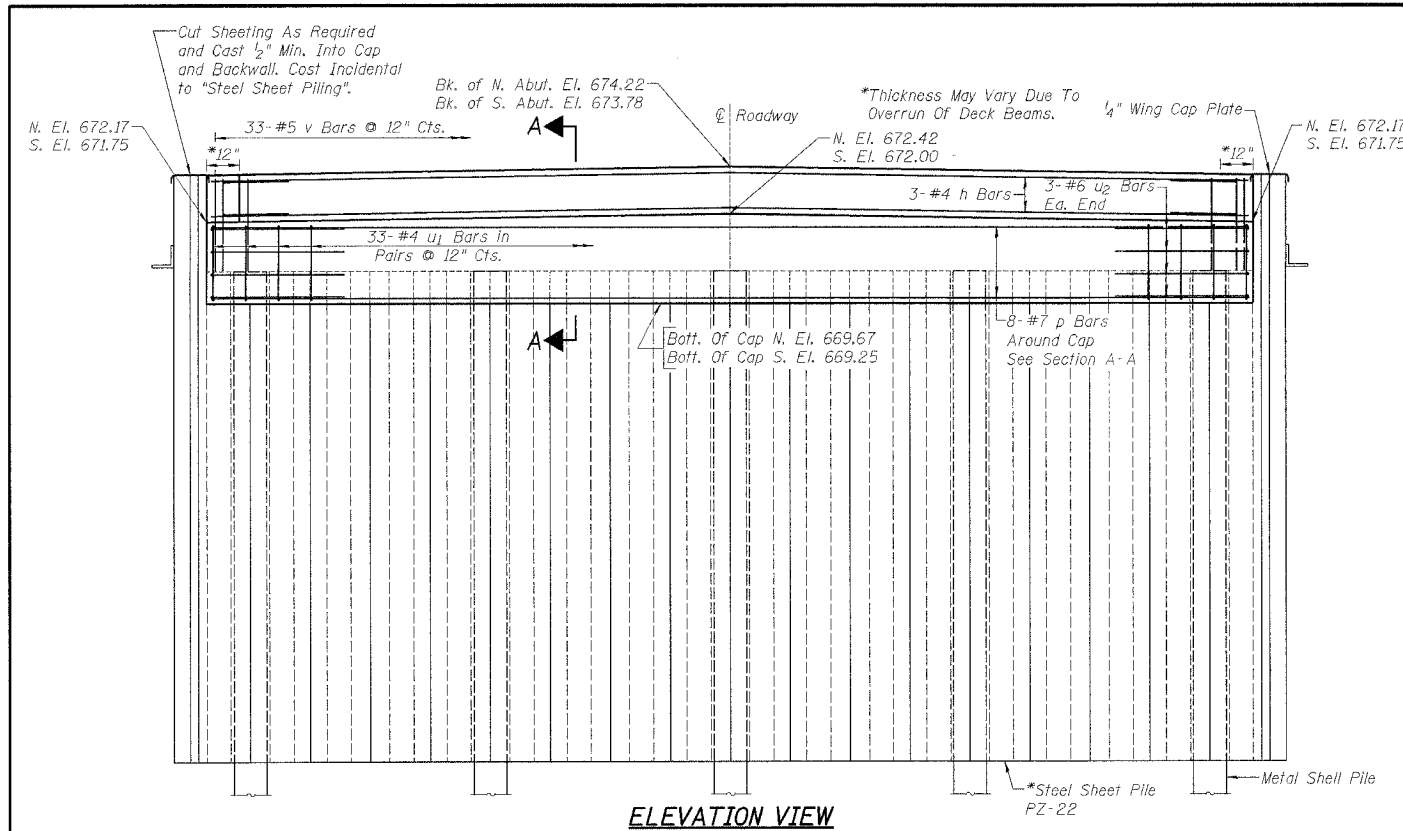


ROUTE NO.	SECTION 03-08111-00-BR	SHEETS	5
COUNTY	OGLE	NO.	30
SALINE PROJECT BR05-14K60			

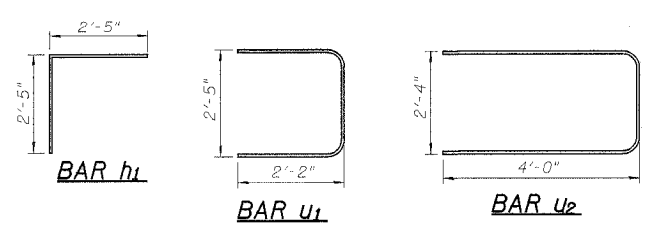
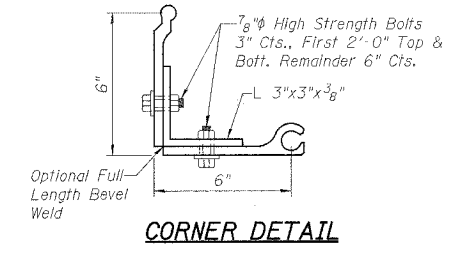
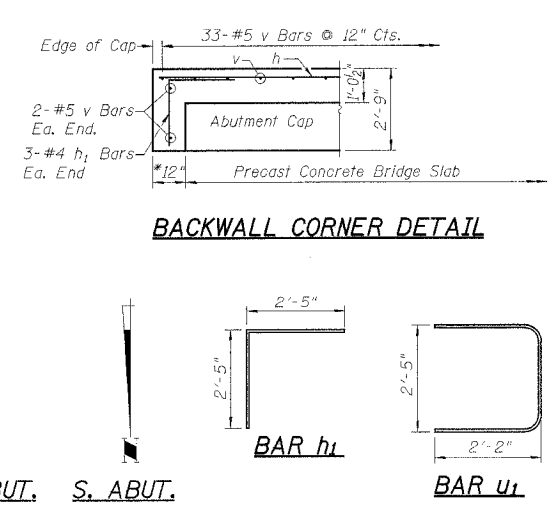
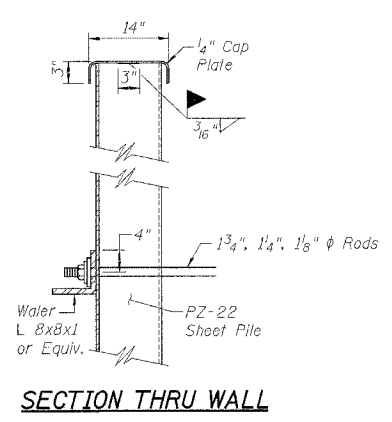
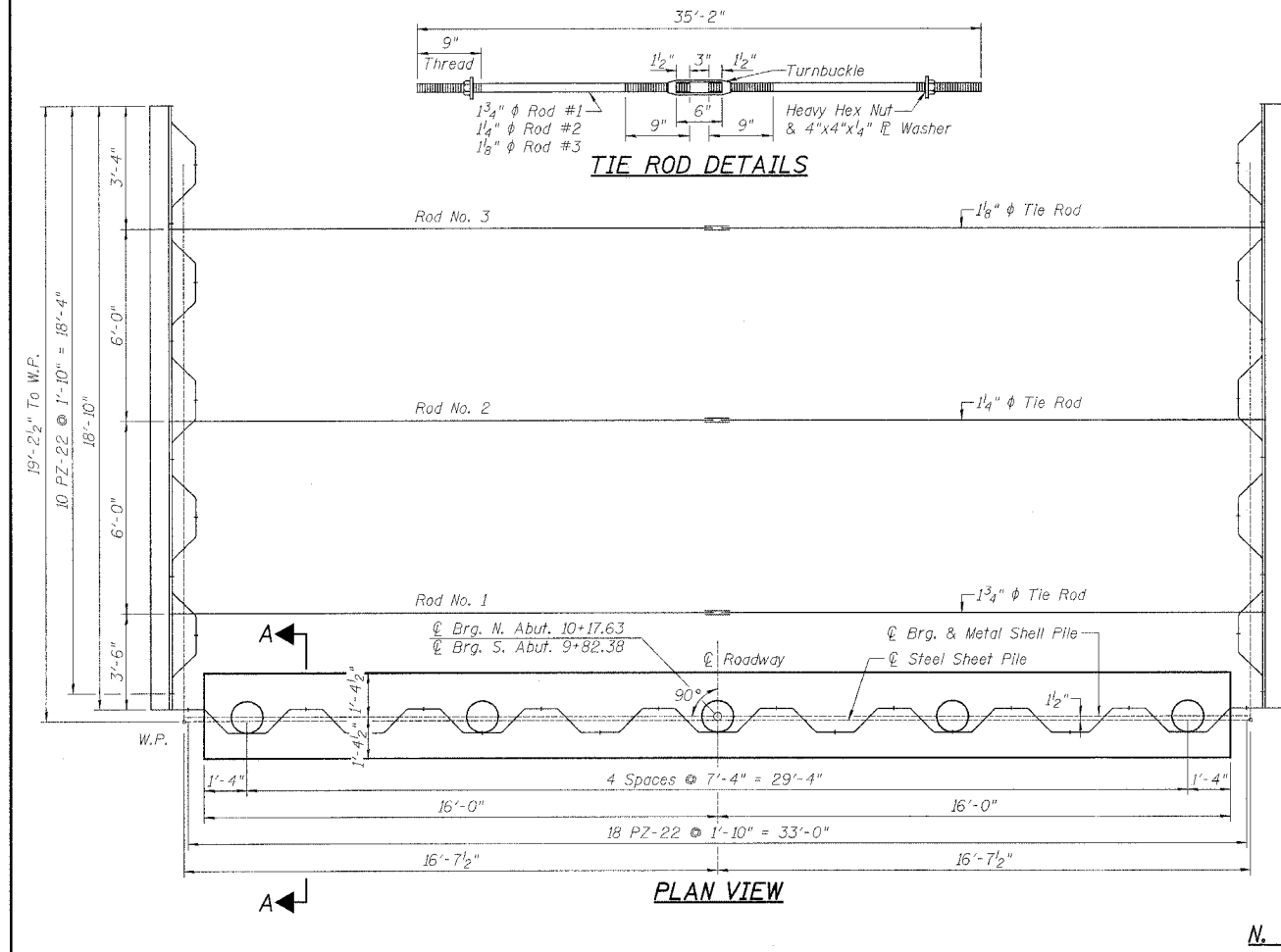


**PILE DATA (NORTH & SOUTH ABUTS.)**

Type	12" Metal Shell
Capacity	35 Ton
No. Required	4 + 1 Test - North & South
	5 - South
Est. Length	33' N. & S. Abut.

\*Pile Shall Penetrate Stiff Sand and Gravel Layer at Elev. 662, as Shown in Borings.

**NOTES:**  
All Hardware Shall Be Hot Dipped Galvanized In Accordance With A.A.S.H.T.O. M-232.  
The Exposed Portion Of The Steel Sheet Piling, Cap Plate And Waler Shall Be Painted As Specified In The Special Provisions.  
Cost Of Fabricating Corner Detail, 3x3x3/8" & 7/8" φ Bolts Shall Be Included In The Cost Per Sq. Ft. For Steel Sheet Piling.  
L 8"x8"x1" Waler, & 1/4" Cap Plate Shall Be Included For Payment As Furnishing & Erecting Structural Steel.



**BILL OF MATERIAL - N. & S. ABUTMENTS**

Bar	No.	Size	Length	Shape
h	6	#4	31'-8"	—
h <sub>1</sub>	12	#4	4'-10"	┌
p	16	#7	31'-8"	—
u <sub>1</sub>	132	#4	6'-9"	┌
u <sub>2</sub>	12	#6	10'-4"	┌
v	74	#5	3'-6"	—
Concrete Structures			Cu. Yd.	21.7
Reinforcement Bars			Pound	2260
Steel Sheet Piling			Sq. Ft.	2815
Hardware			Pound	1210
Furnishing & Erecting Structural Steel			Pound	5130
Structure Excavation			Cu. Yd.	105
Porous Granular Backfill			Cu. Yd.	143
Test Pile - Metal Shell			Each	2
Furnishing Metal Pile Shells-12"			Foot	264
Driving & Filling Shells			Foot	264

**NORTH & SOUTH ABUTMENT DETAILS  
ANTERIOR ROAD OVER UNNAMED STREAM  
SECTION 03-08111-00-BR  
OGLE COUNTY  
WHA # 1024D03**