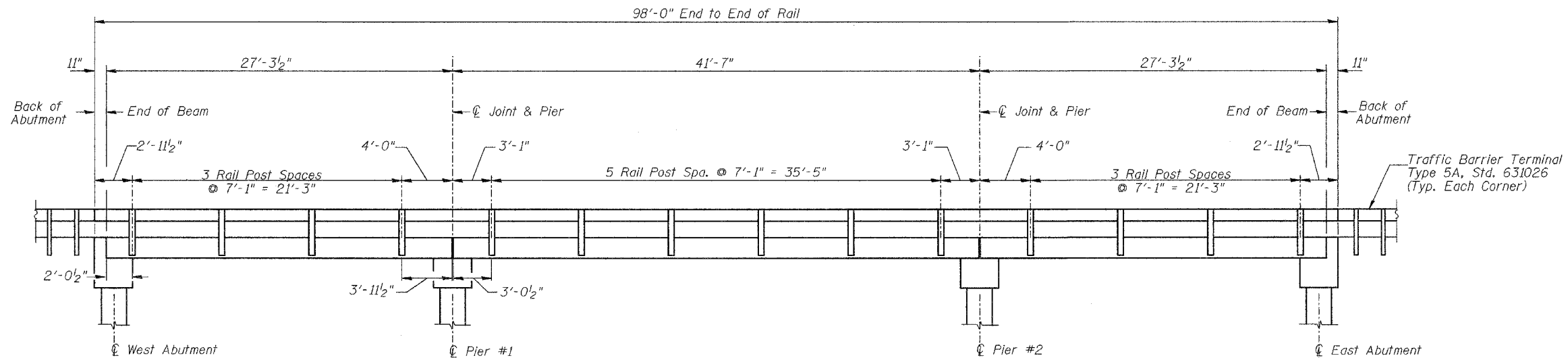
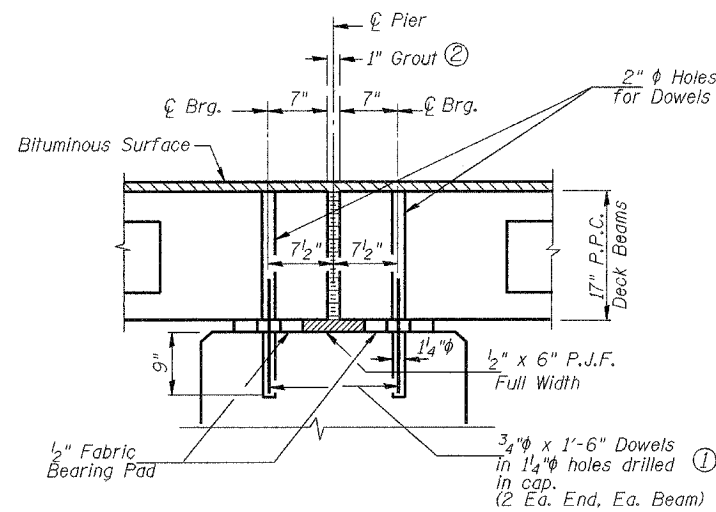


ROUTE NO.	SECTION	COUNTY	SHEETS	SHEET NO.
FAS 292 (CH 49)	*	GRUNDY	17	11
FED. ROAD DIST. NO. 7		ILLINOIS	PROJECT	BR5-292(101)
* 03-00127-00-BR		CONTRACT #87282		

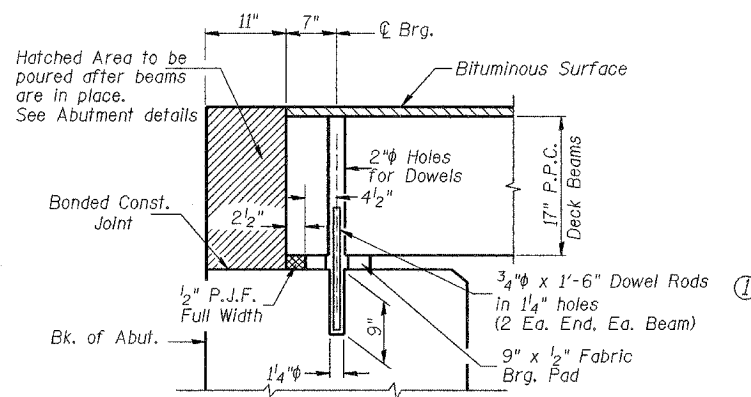
SHEET NO. 5  
8 SHEETS



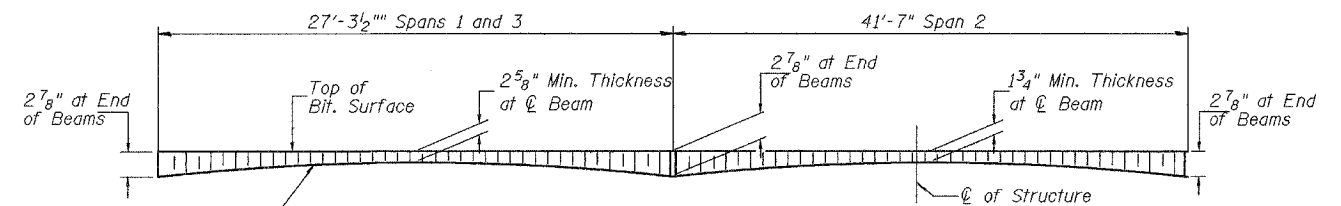
**RAIL POST SPACING**



**SECTION THRU PIER**



**SECTION THRU ABUTMENT**



**BITUMINOUS SURFACE PROFILE**  
Includes Waterproofing Membrane System

- ① Dowel Rods to be grouted after beams are in place and allowed to cure (Min. 24 hr.) prior to grouting the shear keys.
- ② 1" Joint shall be packed with a very dry mix of 2:1 sand and P.C. mortar. 1" Dimension may vary plus or minus to accommodate tolerance in beam lengths.

**SUPERSTRUCTURE DETAILS**  
**RAIL POST SPACING**  
**F.A.S. 292 (C.H. 49) OVER GOOSEBERRY CREEK**  
**SECTION 03-00127-00-BR**  
**GRUNDY COUNTY**  
**STATION 20+00.00**