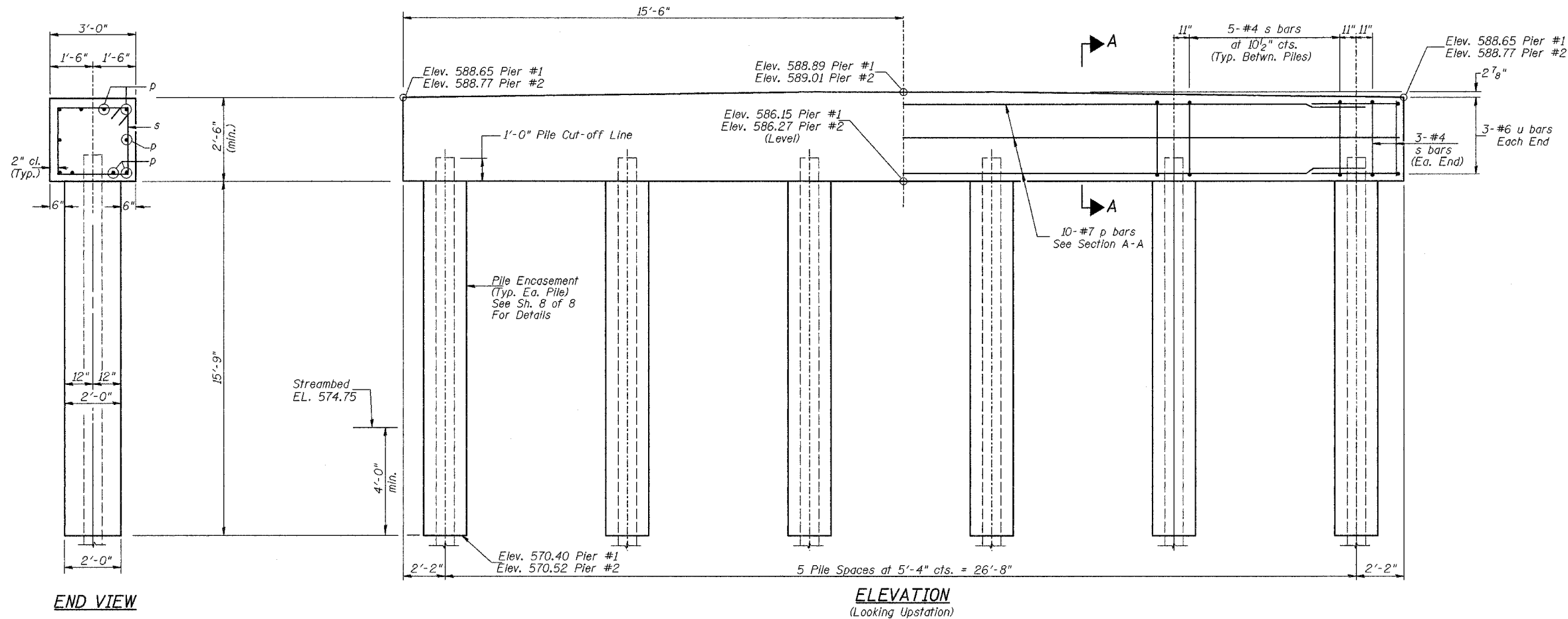
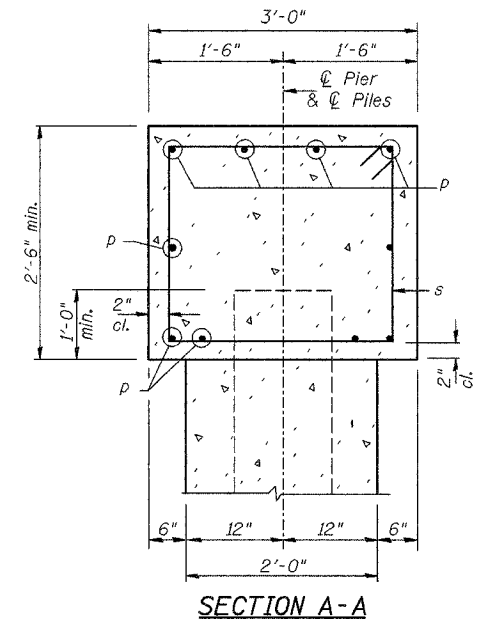
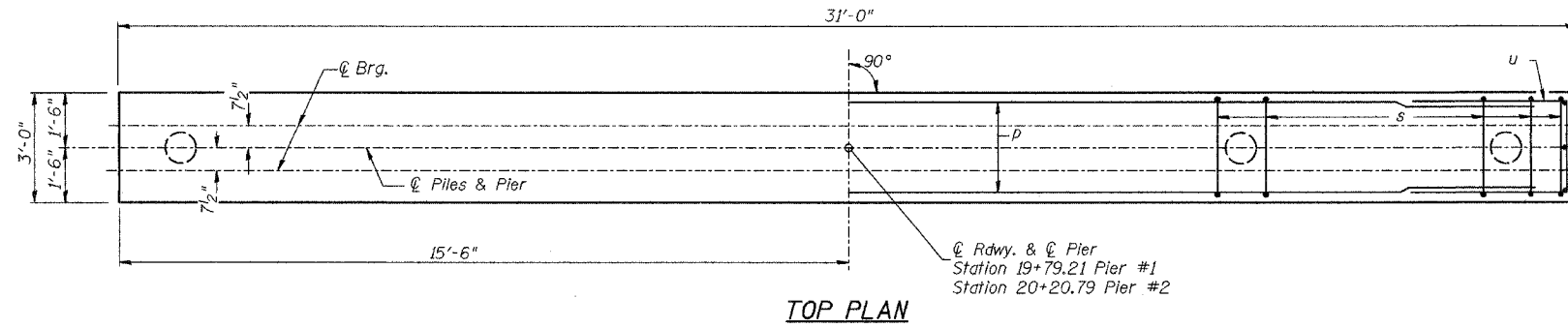
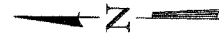


NOTES:  
All edges shall have standard  
3/4" chamfer.

ROUTE NO.	SECTION	COUNTY	TOTAL SHEETS	SHEET NO.
FAS 292 (CH 49)	*	GRUNDY	17	13
FED. ROAD DIST. NO. 7		ILLINOIS	PROJECT	BRS-292(101)
*03-00127-00-BR		CONTRACT #87282		

SHEET NO. 7  
8 SHEETS

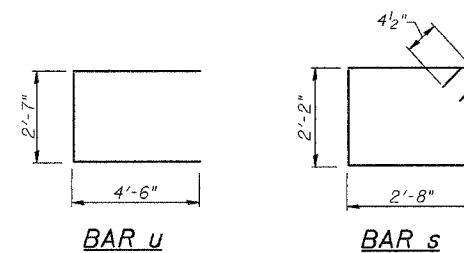


**TWO PIERS  
BILL OF MATERIAL**

BAR	NO.	SIZE	LENGTH	SHAPE
p	20	#7	30'-8"	—
s	62	#4	10'-5"	□
u	12	#6	11'-7"	□
Concrete Structures			CU YD	17.7
Reinforcement Bars			POUND	1,890
Furnishing Metal Pile Shells 12"			FOOT	539
Driving and Filling Shells			FOOT	539
Test Pile Metal Shells			EACH	1
Concrete Encasement			CU YD	16.5
Underwater Structure Excavation Protection, Location 1			EACH	1
Underwater Structure Excavation Protection, Location 2			EACH	1

① See Special Provisions

**PILE DATA**  
Type: 12" Metal Shell  
Capacity: 45 Tons  
Est. Length: 49' (Pier #1)  
49' (Pier #2)  
No. Req'd.: 12 (Includes 1 Test Pile at Pier #2)



**PIERS**  
F.A.S. 292 (C.H. 49) OVER GOOSEBERRY CREEK  
SECTION 03-00127-00-BR  
GRUNDY COUNTY  
STATION 20+00.00