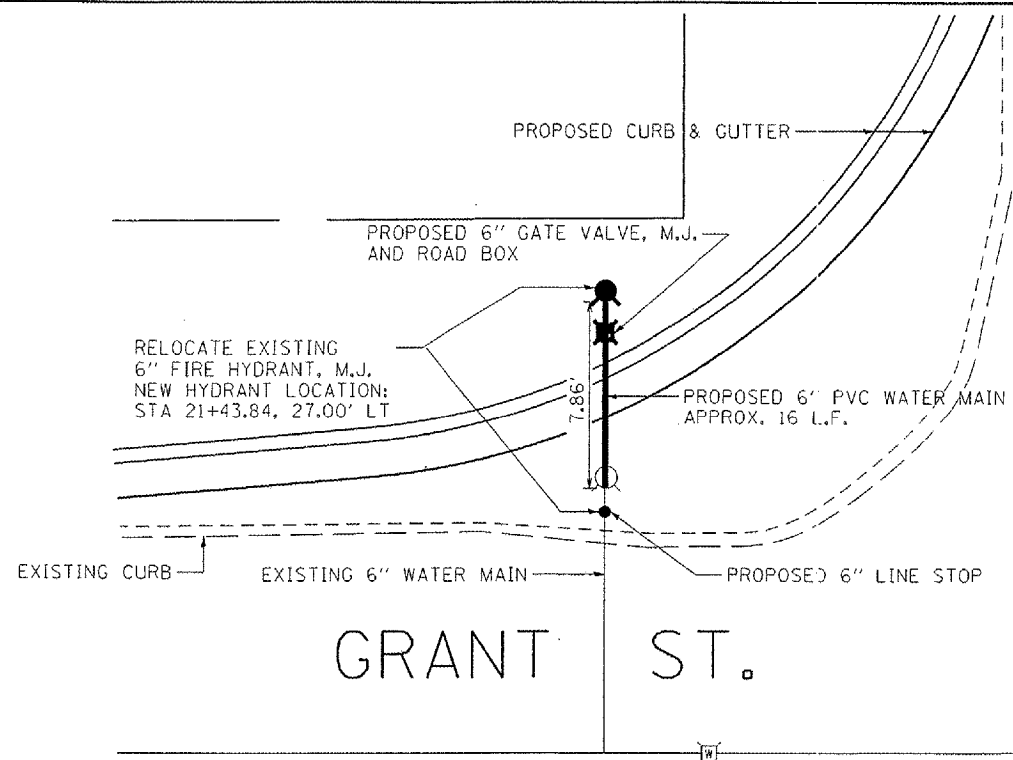
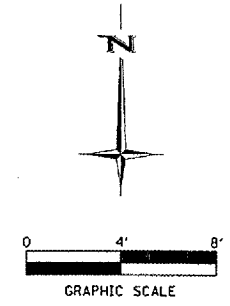


GRANT ST.

MATERIAL QUANTITIES REQ'D FOR FIRE HYDRANT RELOCATION

- 1) 6" DIA. PVC WATER MAIN (SDR-21) 7 L.F.
- 2) 8" DIA. PVC WATER MAIN (SDR-21) 9 L.F.
- 3) 6" LINE STOP 1 EA.
- 4) 8" LINE STOP 1 EA.
- 5) 8"x6" D.I. CROSS, M.J. 50 LB.
- 6) 8" - 90° BEND, M.J. 50 LB.
- 7) 8" GATE VALVE, M.J. & ROAD BOX 1 EA.
- 8) 6" GATE VALVE, M.J. & ROAD BOX 1 EA.
- 9) TRENCH BACKFILL 7.6 CU.YD.

* NOTE: ALL EXISTING WATER MAIN BETWEEN PROPOSED LINE STOPS IS TO BE REMOVED



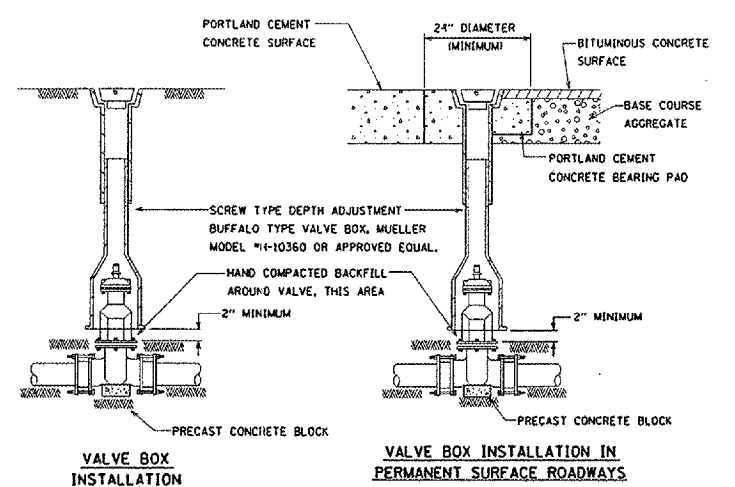
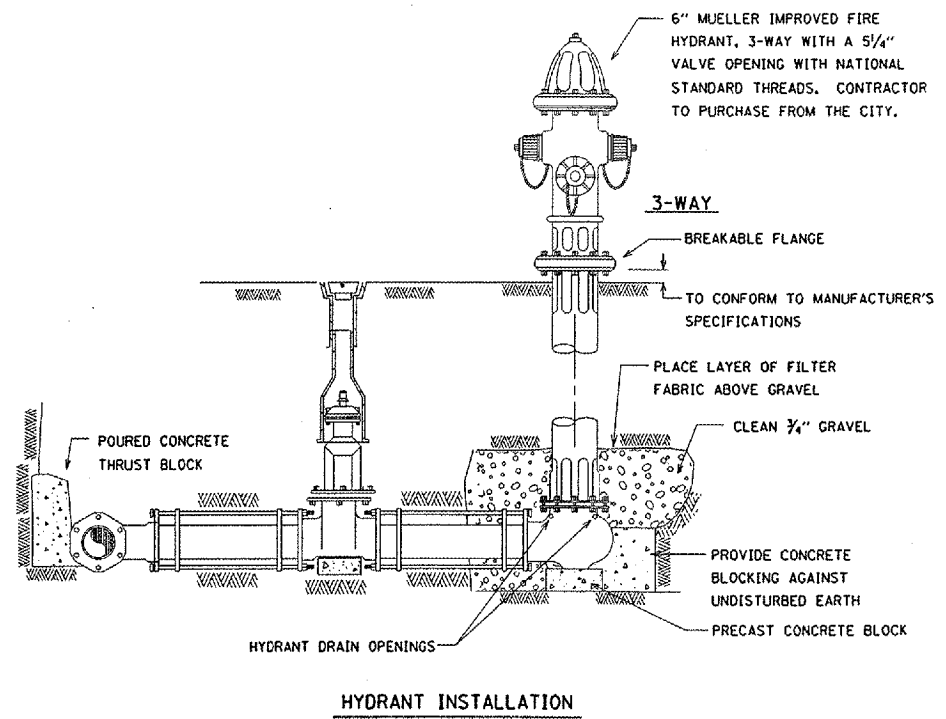
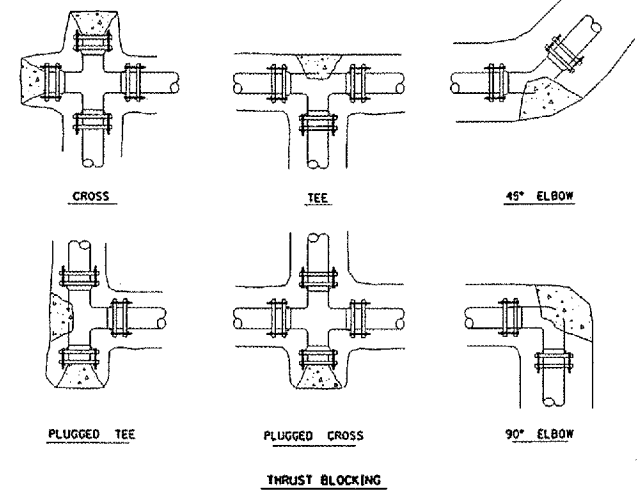
GRANT ST.

MATERIAL QUANTITIES REQ'D FOR FIRE HYDRANT RELOCATION

- 1) 6" DIA. PVC WATER MAIN (SDR-21) 16 L.F.
- 2) 6" LINE STOP 1 EA.
- 3) 6" GATE VALVE, M.J. & ROAD BOX 1 EA.
- 4) TRENCH BACKFILL 7.4 CU.YD.

- ALL FITTINGS SHOWN IN PLAN
- ALL BLOCKS TO BE CLASS SI CONCRETE (3500 PSI / 14 DAYS)
- MINIMUM 2 CU. FT. PER BLOCK

ALL BLOCKS SHALL BE A MINIMUM OF 12" THICK, PLACED BETWEEN SOLID GROUND AND THE FITTINGS, AND SHALL BE ANCHORED IN SUCH A MANNER THAT PIPE AND FITTING JOINTS WILL BE ACCESSIBLE FOR REPAIRS.



DRAWN BY	D.B.H.
CHECKED BY	M.G.M.
APPROVED BY	W.J.S.
DATE	JANUARY, 2005
REVISIONS	
DATE	BY

WATER & SANITARY SEWER DETAILS

MACOMB, ILLINOIS



Consulting Engineers / Land Surveyors
 1970 West Lafayette Avenue
 Jacksonville, Illinois 62650
 Phone : 217-245-4148
 Fax : 217-245-4149
 IL Design Firm Registration No. 184-000852