

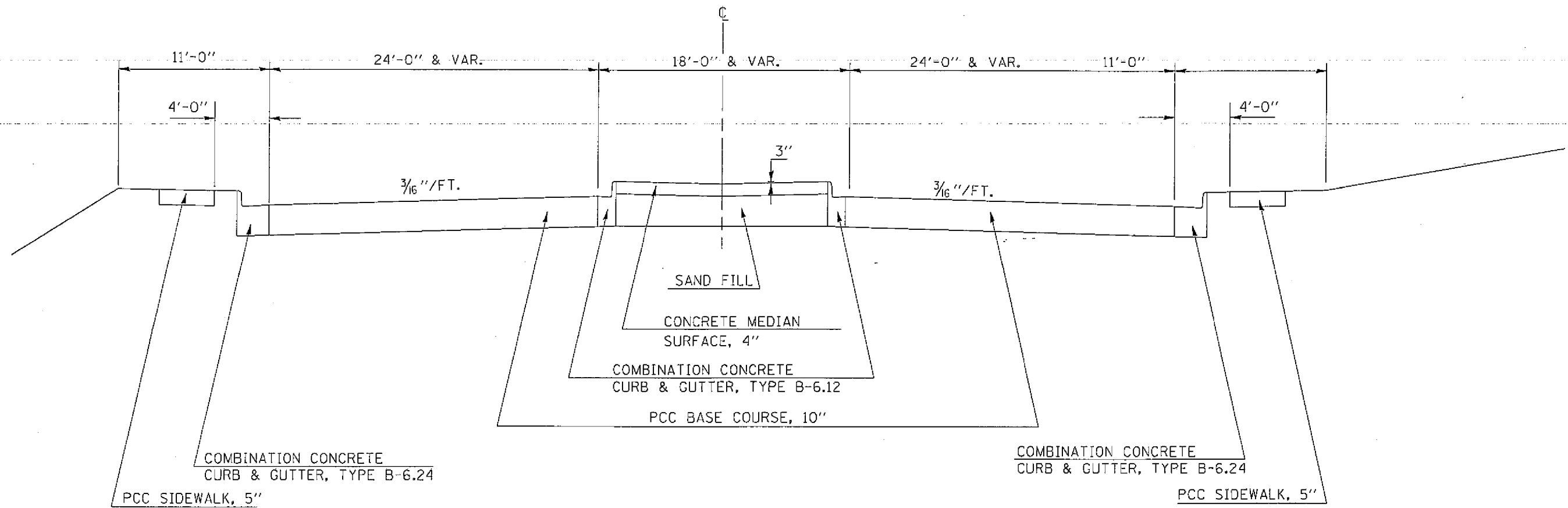
F.A.P. RTE.	SECTION	COUNTY	TOTAL SHEETS	SHEET NO.
716	1301R,R-11RS	MACON	36	11

CONTRACT NO. 90929

EXISTING TYPICAL CROSS SECTION

OAKLAND AVENUE

△ STATION TO STATION
151+29.18 RT. & 152+64.50 LT. 156+93.5



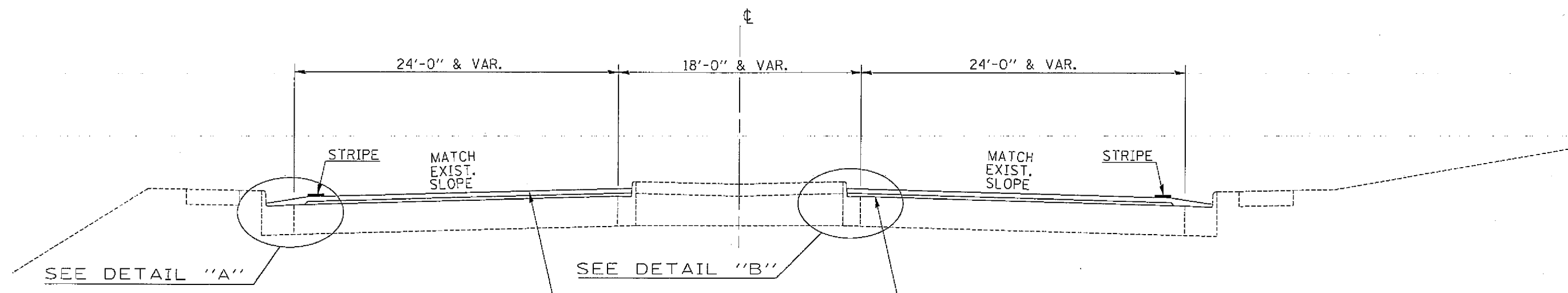
△ Rev 4/18/05

F.A.P. RTE.	SECTION	COUNTY	TOTAL SHEETS	SHEET NO.
716	130(R,R-1)RS	MACON	36	18

CONTRACT NO. 90929

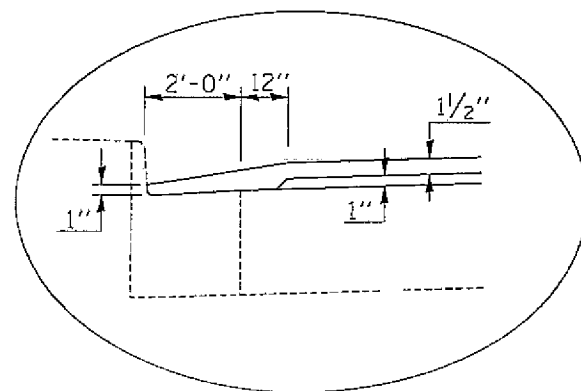
PROPOSED TYPICAL CROSS SECTION ⑤

OAKLAND AVENUE
 STATION TO STATION
 ② 151+29.18 RT. & 152+64.50 LT. 156+93.5

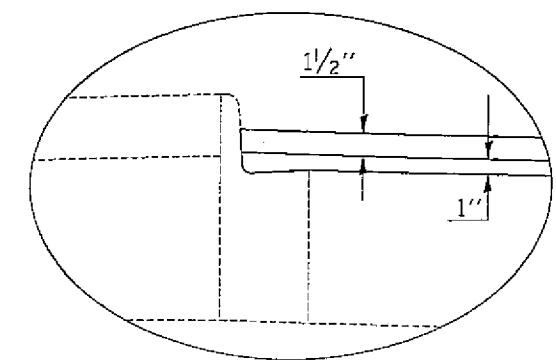


BITUMINOUS CONCRETE SURFACE COURSE, SUPERPAVE, MIX D, N90, (168 LBS./SQ.YD.)

LEVELING BINDER (MACHINE METHOD), SUPERPAVE, N90, (112 LBS./SQ.YD.)



DETAIL "A"



DETAIL "B"

Δ Rev 4/18/05