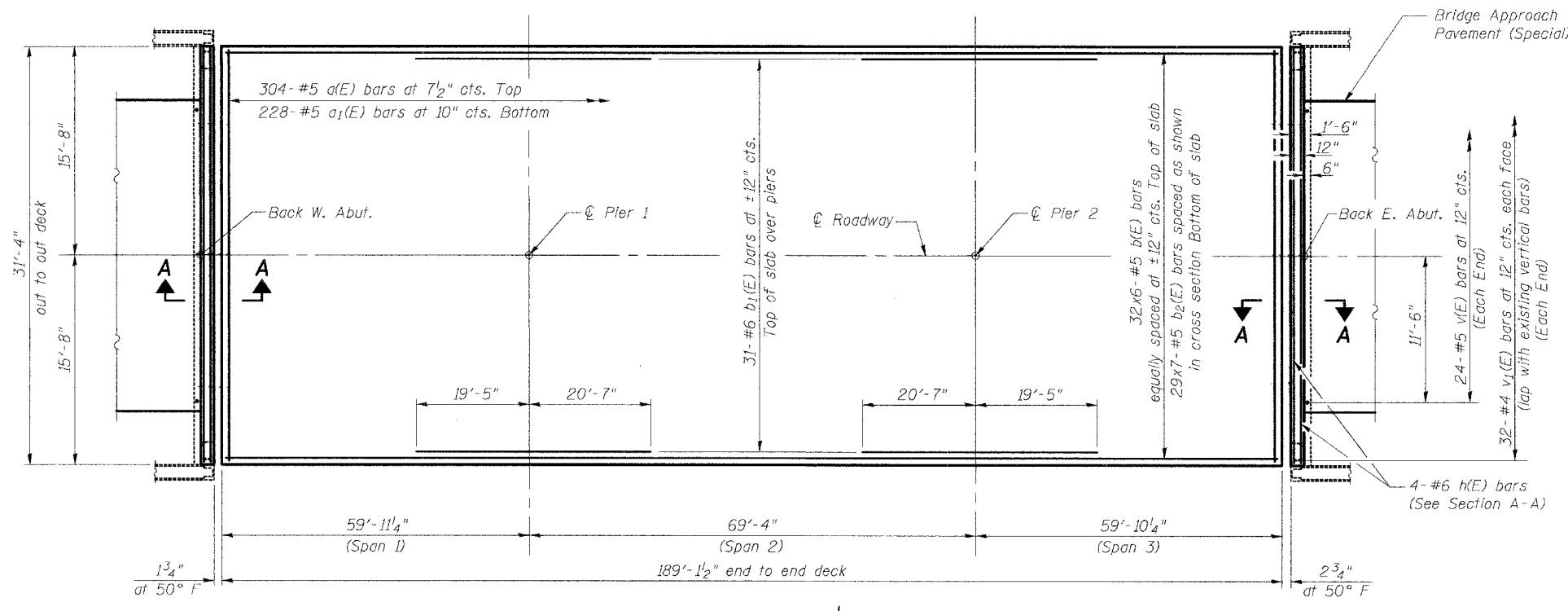


ROUTE NO.	SEC	COUNTY	TOTAL SHEETS	SHEET NO.
FAS RTE 1588	*	ADAMS	20	12
FED. ROAD DIST. NO. 7		ILLINOIS	PROJECT	
* 04-00185-00-BR				

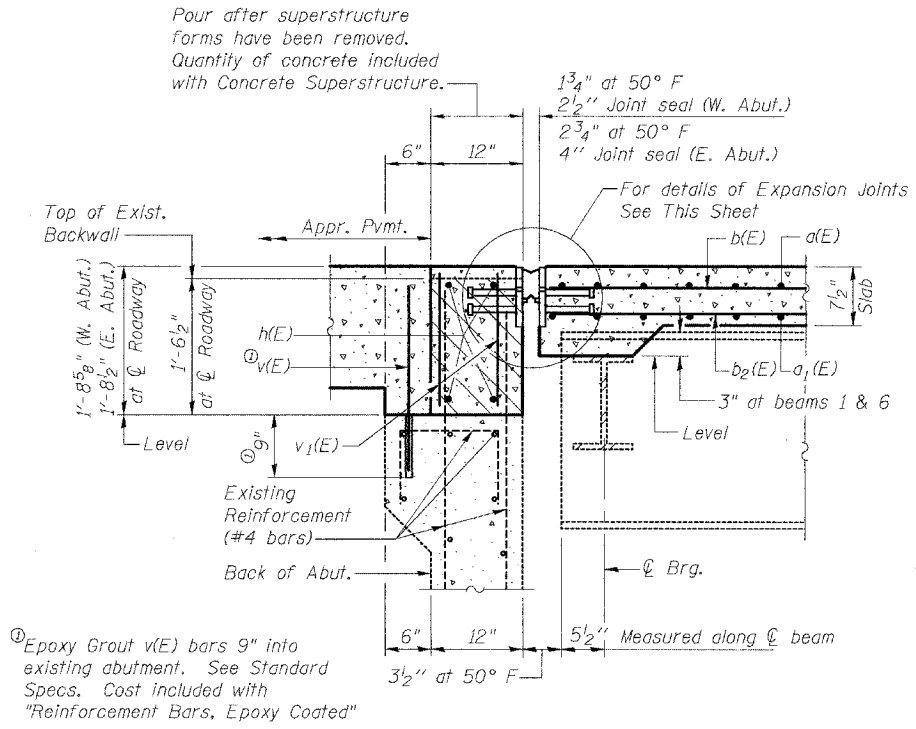


Notes:
 Reinforcement bars designated (E) shall be epoxy coated.
 Bars Indicated thus 20 x 3-#5 etc. indicates 20 lines of bars with 3 lengths per line.
 Adjust location of reinforcement bar in deck to miss Steel Rail Posts.
 Minimum bar lap of #5 bars = 2'-2".
 See Sheet #5 of 12 for Cross Section, Top of Abutment Backwall Removal, and Abutment Backwall Elevation.
 Existing reinforcement extending into the removal area shall be cleaned, straightened and incorporated into the new construction. Any reinforcement bars that are damaged during concrete removal shall be replaced with an approved bar splicer or anchorage system. Cost shall be included with Concrete Removal.
 Hatched areas indicate Concrete Removal.

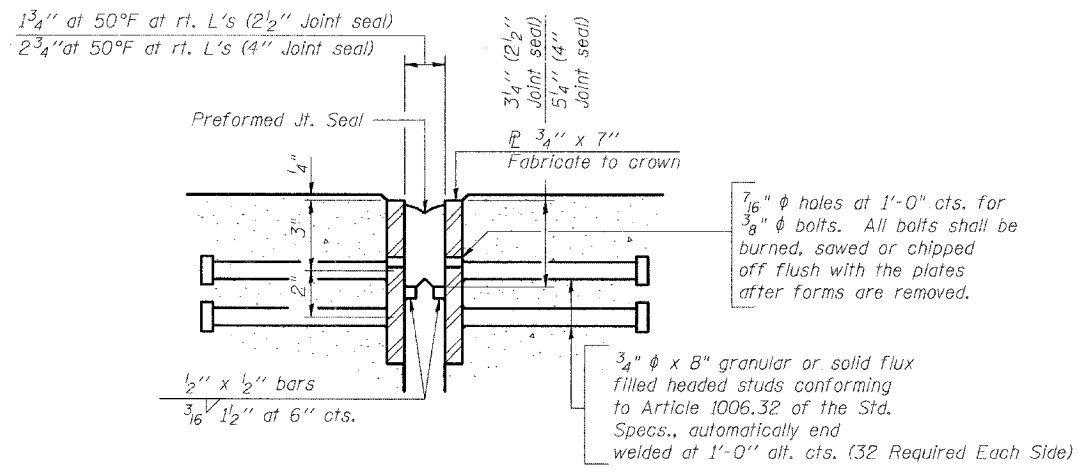
PLAN

SUPERSTRUCTURE BILL OF MATERIAL

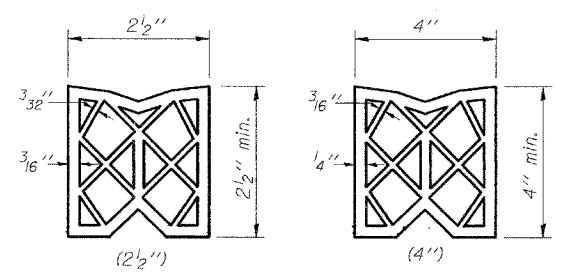
Bar	No.	Size	Length	Shape
a(E)	304	#5	31'-1"	—
a1(E)	228	#5	31'-1"	—
b(E)	192	#5	33'-5"	—
b1(E)	62	#6	40'-0"	—
b2(E)	203	#5	29'-0"	—
h(E)	8	#6	31'-1"	—
v(E)	48	#5	1'-11"	—
v1(E)	128	#4	1'-1"	—
Reinforcement Bars, Epoxy Coated			POUND	34,370
Concrete Superstructure			CU. YD.	148.6
Concrete Removal			CU. YD.	3.5
Protective Coat			SQ. YD.	658
Bridge Deck Grooving			SQ. YD.	658



SECTION A-A



SECTION THRU EXPANSION JOINT (2 1/2" and 4" joint seals)



PREFORMED JOINT SEAL

GENERAL NOTES

Furnish steel plates in segments of 20 feet maximum length. Maximum space between installed segments shall be 3/16". Seal space with silicone sealant suitable for structural steel.

BILL OF MATERIAL

Item	Unit	Total
Preformed Joint Seal 2 1/2"	FOOT	31.5
Preformed Joint Seal 4"	FOOT	31.5

REV. NO.	DRAWN	CHKD.	APPD.	DESCRIPTION	DATE
	BSJ	hzw			03/04

F.A.S. RTE. 1588 OVER MCKEE CREEK
 SECTION 04-00185-00-BR
 Project RS-1588 (106)
 ADAMS COUNTY

SUPERSTRUCTURE
 STRUCTURE NUMBER 001-3026
 STATION 314+60.75

4/14/2004 9:01:36 AM p:\04files\040025\bridge plans\001-3026-br-bridge.dgn