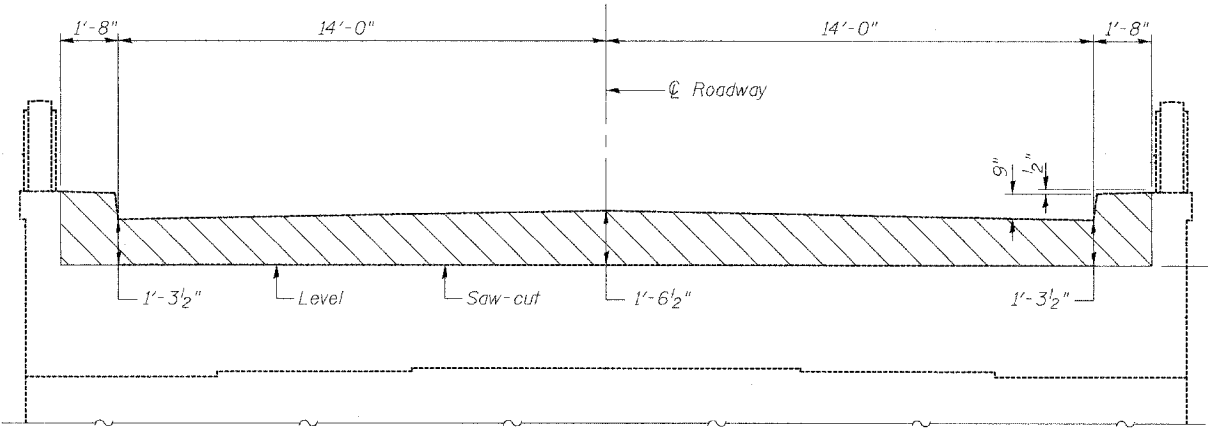
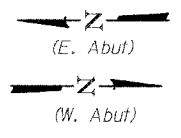
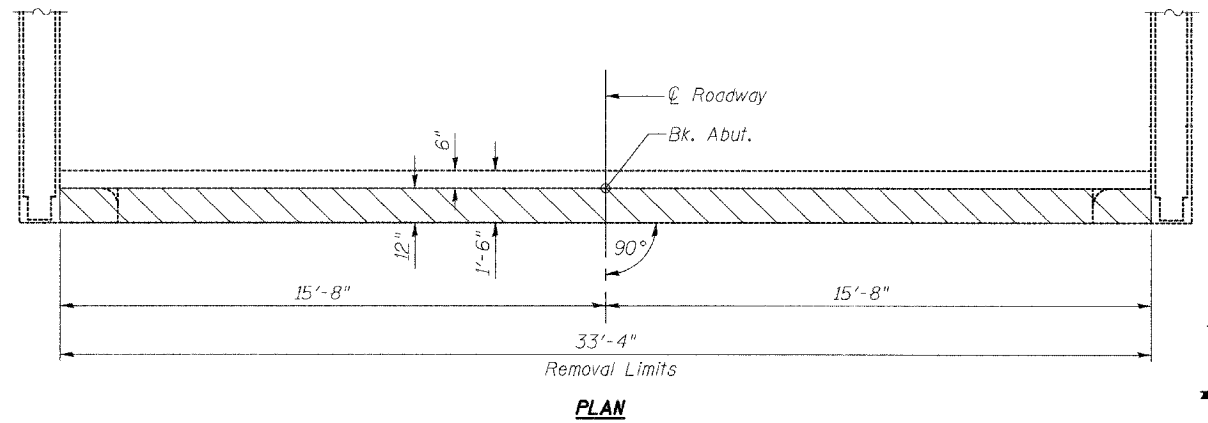
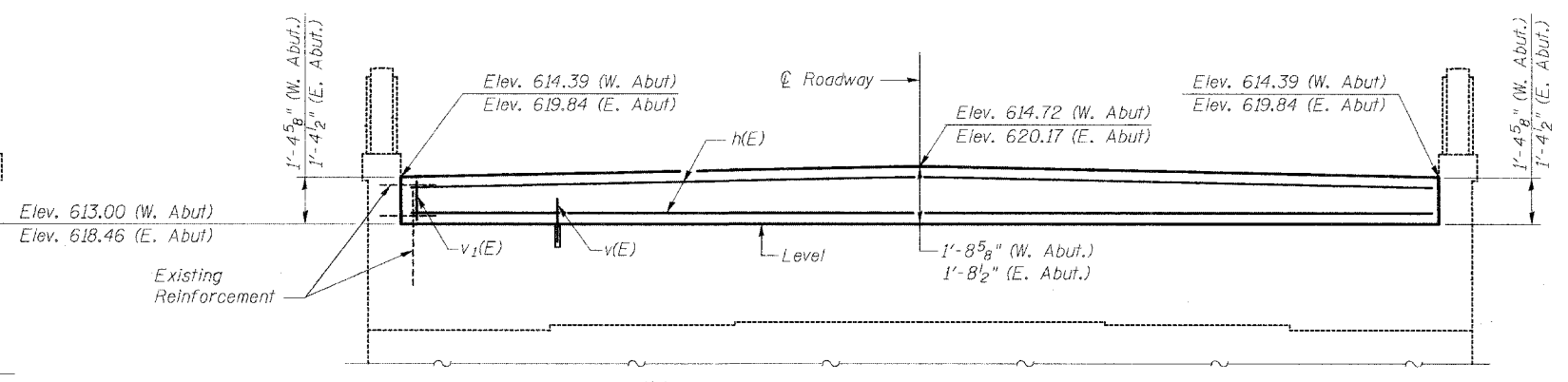


ROUTE NO.	SEC.	COUNTY	TOTAL SHEETS	SHEET NO.
FAS RTE 1588	*	ADAMS	20	13
FED. ROAD DIST. NO. 7		ILLINOIS	PROJECT	
* 04-00185-00-BR				



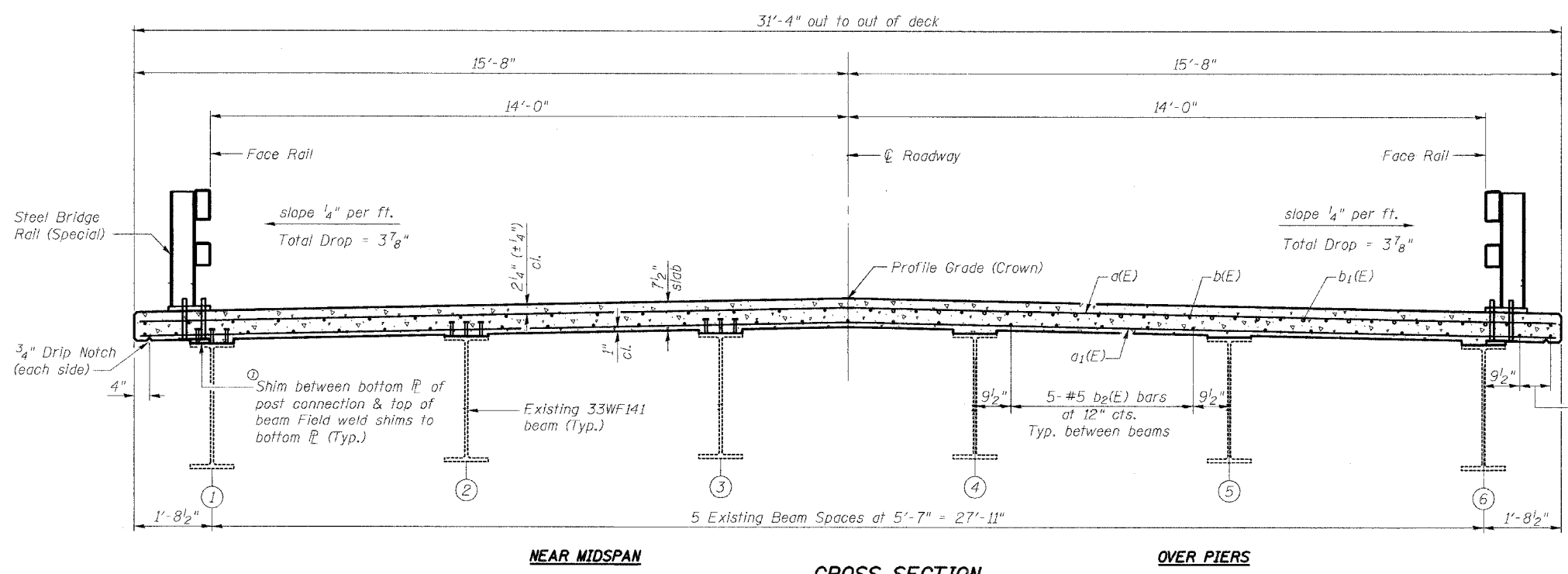
Note:
Elevations and vertical dimensions are at back of abutment.

TOP OF ABUTMENT BACKWALL REMOVAL



Note:
Elevations and vertical dimensions are at back of abutment.

ABUTMENT BACKWALL ELEVATION
(Looking West at W. Abut.)
(Looking East at E. Abut.)



Notes:
Hatched areas indicate Concrete Removal.
See Sheet #4 of 12 for Plan & Superstructure Bill of Material.

① Cost included with "Steel Bridge Rail (Special)"

REV. NO.	DRAWN	CHKD.	APPD.	DESCRIPTION	DATE
	BGJ	MW			03/04
F.A.S. RTE. 1588 OVER MCKEE CREEK SECTION 04-00185-00-BR Project RS-1588 (106) ADAMS COUNTY SUPERSTRUCTURE STRUCTURE NUMBER 001-3026 STATION 314+60.75					

9/10/14 4:46 AM
 4/14/2004
 p:\0411es\040025\Bridges\Plans\001-3026-Bridge.dgn