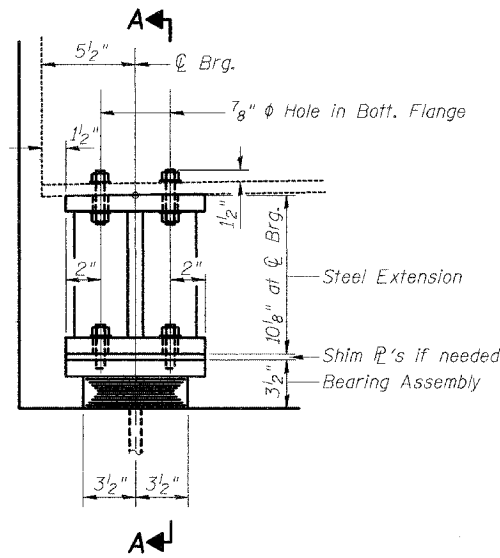
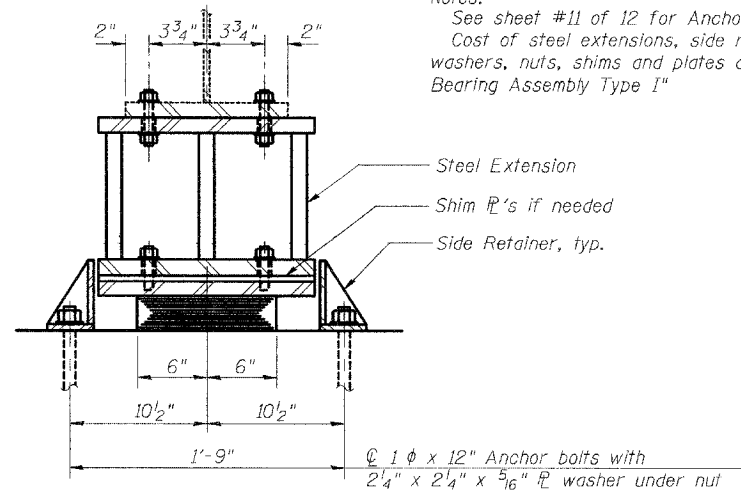


ROUTE NO.	SEC.	COUNTY	TOTAL SHEETS	SHEET NO.
FAS RTE 1588	*	ADAMS	20	17
FED. ROAD DIST. NO. 7	ILLINOIS	PROJECT		
* 04-00185-00-BR				

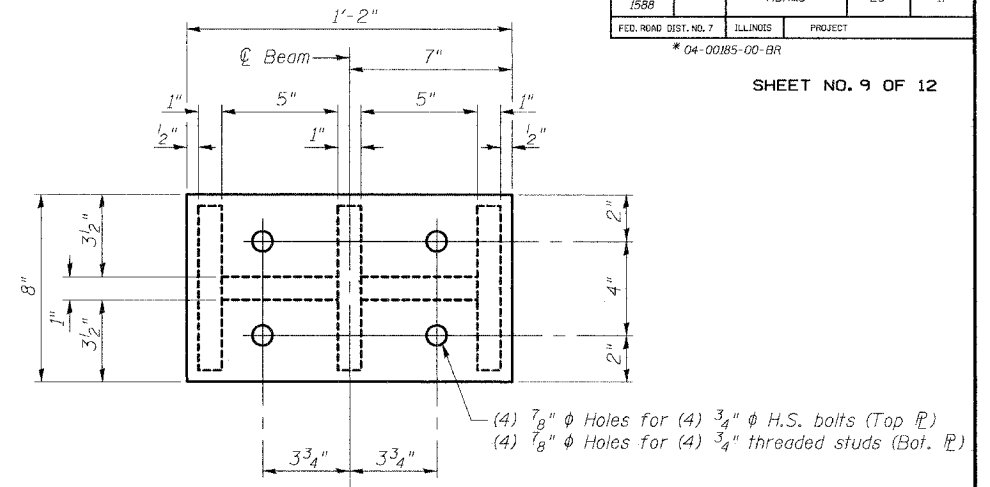


ELEVATION AT WEST ABUTMENT



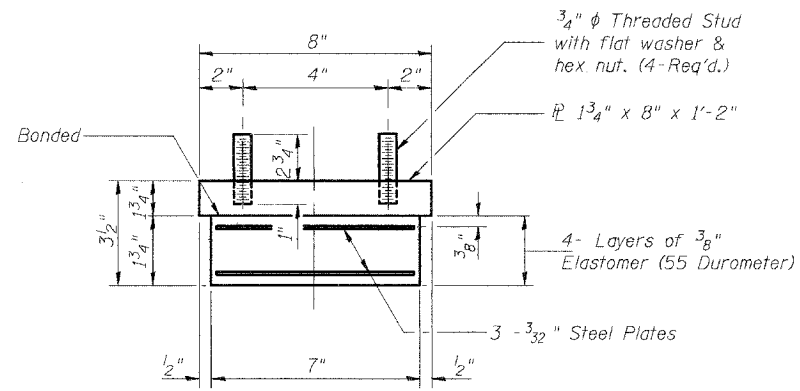
SECTION A-A

Notes:  
See sheet #11 of 12 for Anchor Bolt installation.  
Cost of steel extensions, side retainers, anchor bolts, washers, nuts, shims and plates are included in "Elastomeric Bearing Assembly Type I"



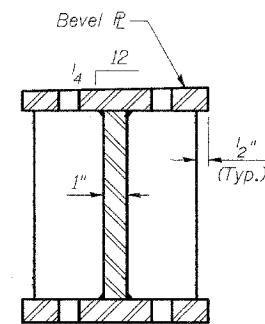
PLAN STEEL EXTENSION

TYPE I ELASTOMERIC EXPANSION BEARING

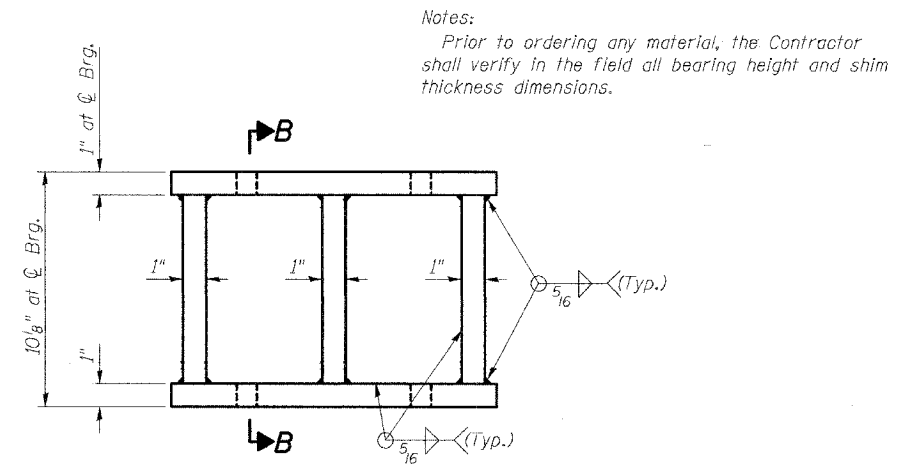


BEARING ASSEMBLY

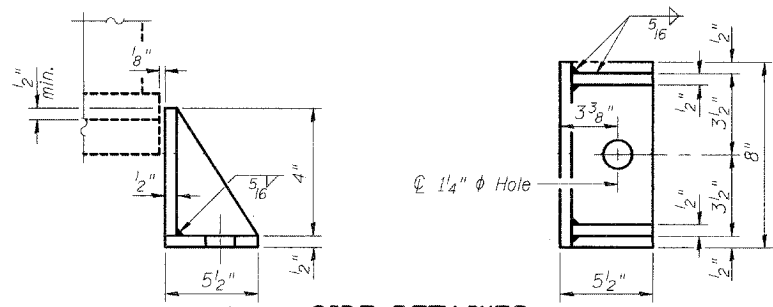
Note: Shim plates shall not be placed under Bearing Assembly.



SECTION B-B



ELEVATION STEEL EXTENSION



SIDE RETAINER

Equivalent rolled angle with stiffeners will be allowed in lieu of welded plates.

BILL OF MATERIAL

Item	Unit	Total
Elastomeric Bearing Assembly Type I	EACH	6

REV. NO.	DRAWN	CHKD.	APPD.	DESCRIPTION	DATE
	BGJ	YAW			03/04

F.A.S. RTE. 1588 OVER MCKEE CREEK  
SECTION 04-00185-00-BR  
Project RS-1588 (106)  
ADAMS COUNTY

TYPE I ELASTOMERIC BEARING  
STRUCTURE NUMBER 001-3026  
STATION 314+60.75