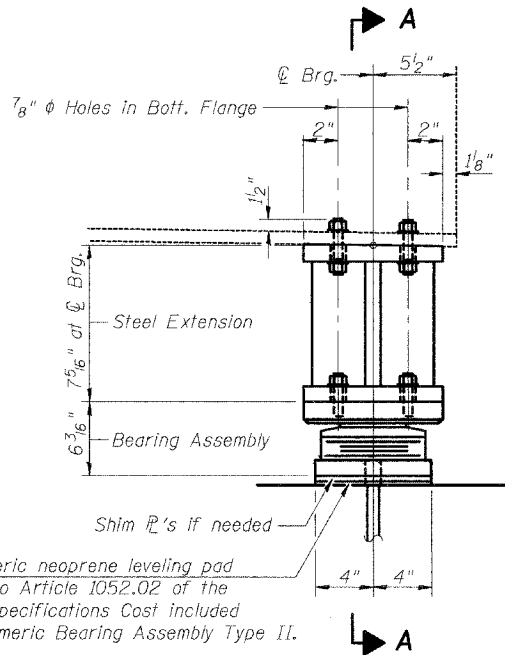


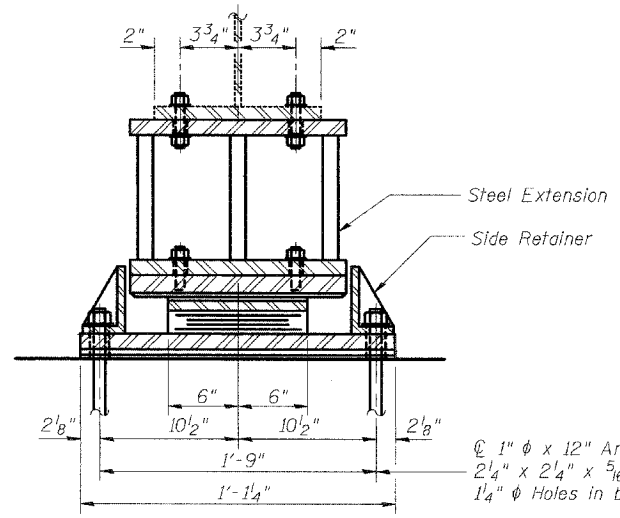
ROUTE NO.	SEC.	COUNTY	TOTAL SHEETS	SHEET NO.
FAS RTE 1588	*	ADAMS	20	18
FED. ROAD DIST. NO. 7	ILLINOIS	PROJECT		

\* 04-00185-00-BR

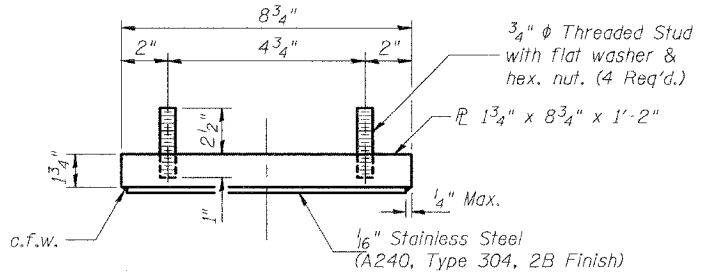
Notes:  
See sheet #11 of 12 for Anchor Bolt installation.  
Cost of steel extensions, side retainers, anchor bolts, washers, nuts, shims and plates are included in "Elastomeric Bearing Assembly Type II"



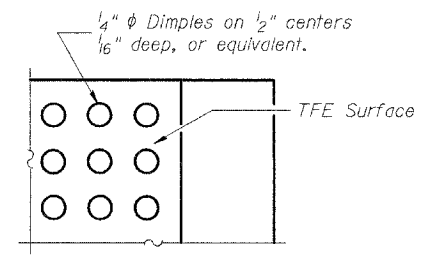
ELEVATION AT EAST ABUTMENT



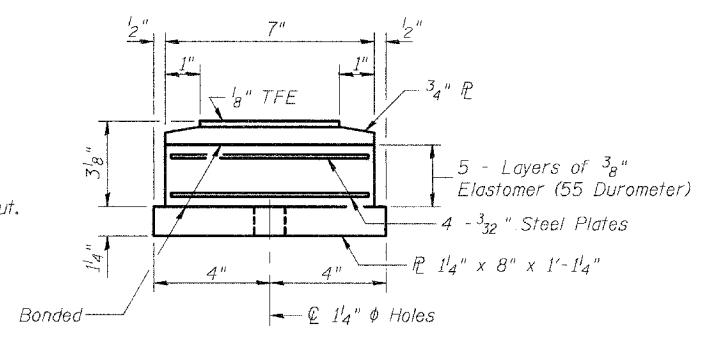
SECTION A-A



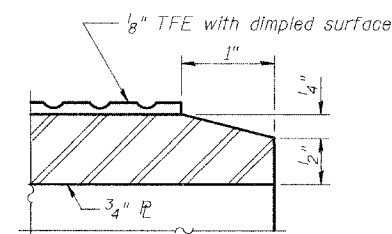
TOP BEARING ASSEMBLY



PLAN-TFE SURFACE



BOTTOM BEARING ASSEMBLY

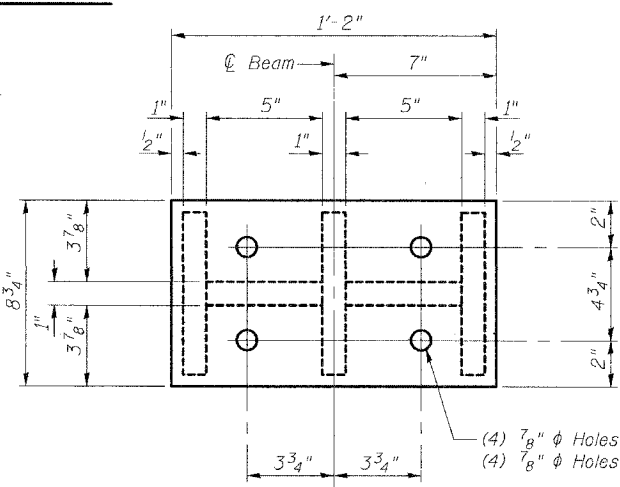


SECTION THRU TFE

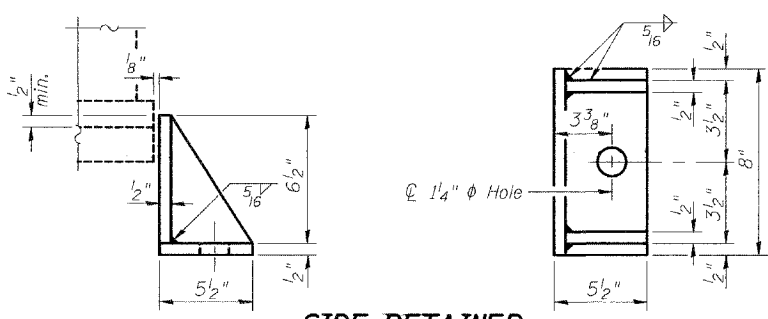
Note: The 1/8" TFE sheet shall be bonded directly to the top steel plate with a two-component, medium viscosity epoxy resin, conforming to the requirements of the Federal Specification MMM-A-134, Type I. The bond agent shall be applied on the full area of the contact surfaces.

Bonding of 1/8" TFE sheet during vulcanizing process will be permitted provided the process and method of adjusting assembly height is approved by the Engineer.

TYPE II ELASTOMERIC EXPANSION BEARING

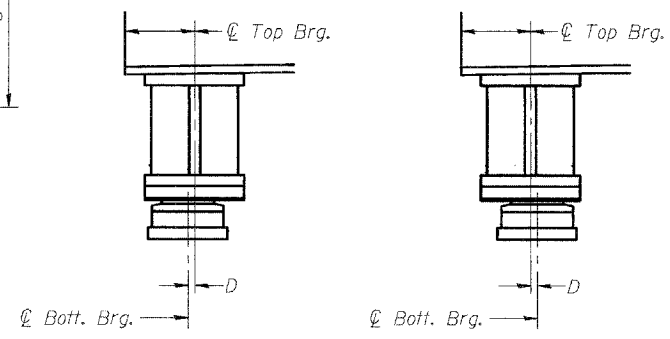


PLAN STEEL EXTENSION



SIDE RETAINER

Equivalent rolled angle with stiffeners will be allowed in lieu of welded plates.



BELOW 50°F. (Move bott. brg. away from fixed brg.)  
ABOVE 50°F. (Move bott. brg. toward fixed brg.)

SETTING ANCHOR BOLTS AT EXPANSION BEARING

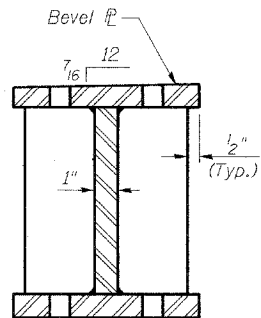
D=1/8" per each 100' of expansion for every 15° temp. change from the normal temp. of 50°F.

BILL OF MATERIAL

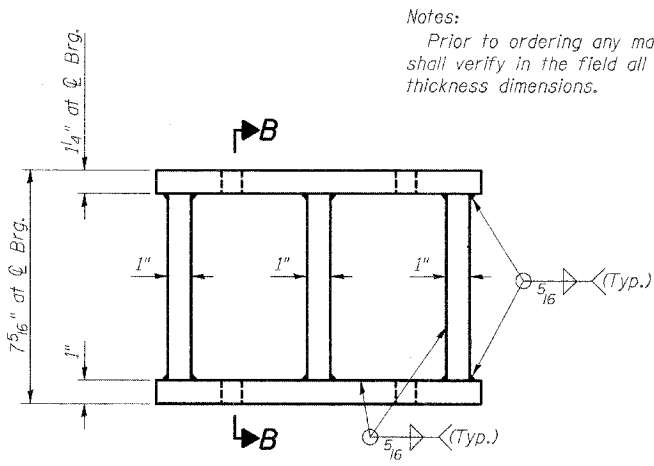
Item	Unit	Total
Elastomeric Bearing Assembly Type II	EACH	6

REV. NO.	DRAWN	CHKD.	APPD.	DESCRIPTION	DATE

F.A.S. RTE. 1588 OVER MCKEE CREEK  
SECTION 04-00185-00-BR  
Project RS-1588 (106)  
ADAMS COUNTY  
  
TYPE II ELASTOMERIC BEARING  
STRUCTURE NUMBER 001-3026  
STATION 314+60.75



SECTION B-B



ELEVATION STEEL EXTENSION

Notes:  
Prior to ordering any material, the Contractor shall verify in the field all bearing height and shim thickness dimensions.

4/14/2004 9:02:41 AM p:\04files\040025\Bridg Plans\021-3026-Bridge.dgn