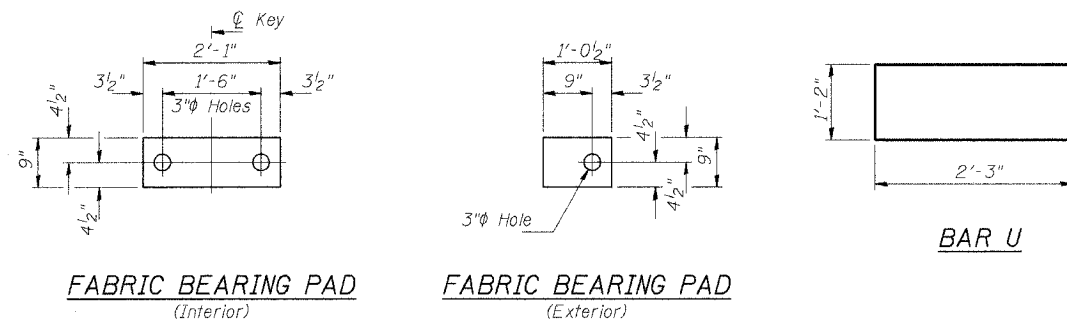


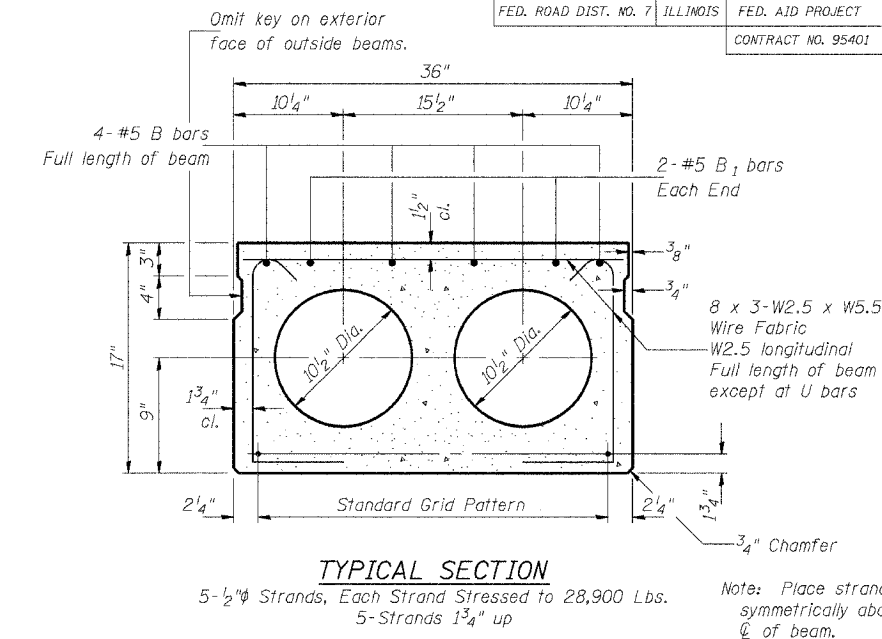
| | | | | |
|-----------------------|----------------|----------|------------------|-----------|
| ROUTE | SECTION | COUNTY | TOTAL SHEETS | SHEET NO. |
| CH 5 | 03-00121-00-BR | MARION | 11 | 7 |
| FED. ROAD DIST. NO. 7 | | ILLINOIS | FED. AID PROJECT | |
| CONTRACT NO. 95401 | | | | |



FABRIC BEARING PAD
(Interior)

FABRIC BEARING PAD
(Exterior)

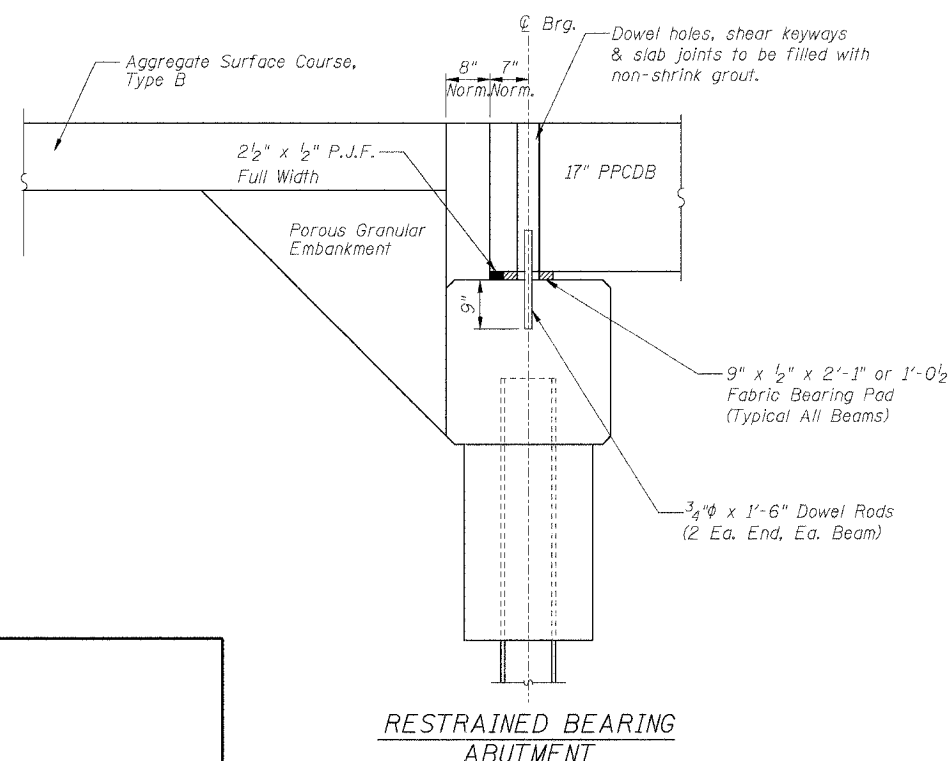
BAR U



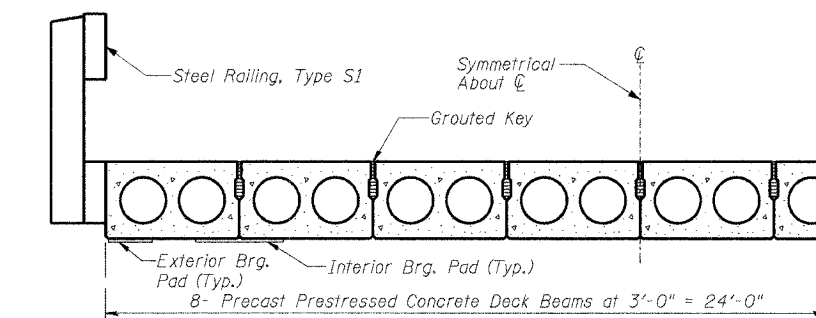
TYPICAL SECTION

5-1/2" Strands, Each Strand Stressed to 28,900 Lbs.
5-Strands 1 3/4" up

Note: Place strands symmetrically about \bar{C} of beam.

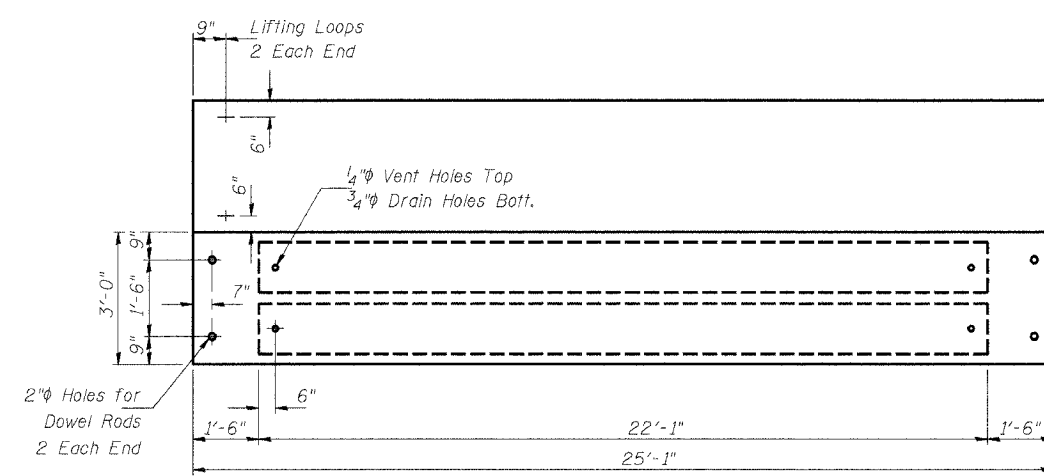


RESTRAINED BEARING ABUTMENT

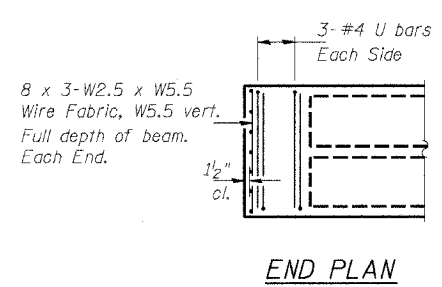


HALF CROSS SECTION
BILL OF MATERIAL FOR ONE BEAM

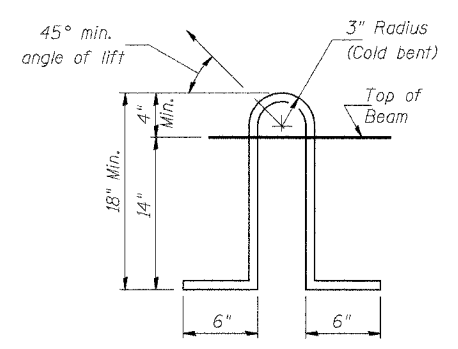
| Bar | No. | Size | Length | Shape |
|-------------------------------------|-----|------|---------|-------|
| B | 4 | #5 | 24'-6" | — |
| B1 | 4 | #5 | 5'-0" | — |
| U | 12 | #4 | 5'-8" | □ |
| Precast Prestressed Conc. Deck Bms. | | | Sq. Ft. | 75 |
| Reinforcement Bars | | | Pound | 170 |
| Total Weight Each Beam | | | Pound | 12100 |



PLAN



END PLAN



LIFTING LOOP DETAIL

NOTES

- Prestressing steel shall be uncoated high strength, stress-relieved 7-wire strand, Grade 270.
- The nominal diameter shall be 1/2" and the nominal cross-sectional area shall be 0.153 sq. in.
- Lifting loops shall be 3-1/2" #270 ksi strands, as shown.
- Reinforcement bars shall conform to the requirements of AASHTO M-31, M-42 or M-53 Grade 60.
- The bearing seat surfaces shall be adjusted by shimming to assure firm and even bearing. Two 1/8" fabric adjusting shims of the dimensions of the Exterior Bearing Pad shall be provided for each bearing.
- Keyway surfaces shall be cleaned to remove form oil or other bond breaking material prior to shipment of the beams. Cleaning shall be done by sandblasting the keyway areas between top of the beam and the bottom edge of the key.
- Required Release Strength, f'ci, shall be 4000 p.s.i.
- An equal substitution of the low-relaxation strands for the stress-relieved strands will be permitted. However, all strands shall be stressed to a maximum of 28,900 pounds per strand.

SPAN 1 OR 3
PRECAST PRESTRESSED CONCRETE DECK BEAM DETAILS
PROPOSED BRIDGE CARRYING CH 5 OVER EAST FORK KASKASKIA RIVER SECTION 03-00121-00-BR MARION COUNTY, ILLINOIS

0.10/2004