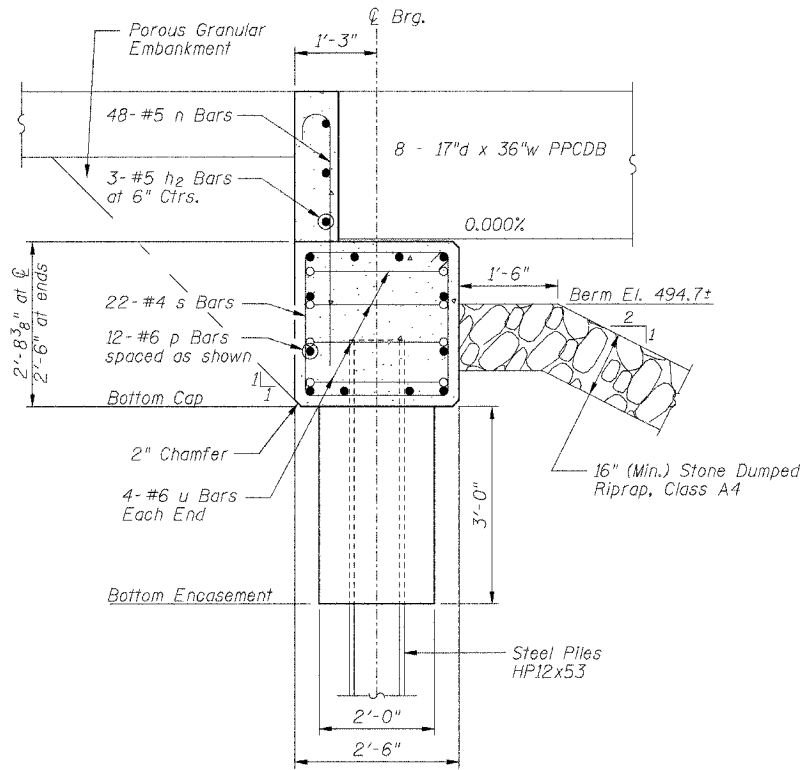
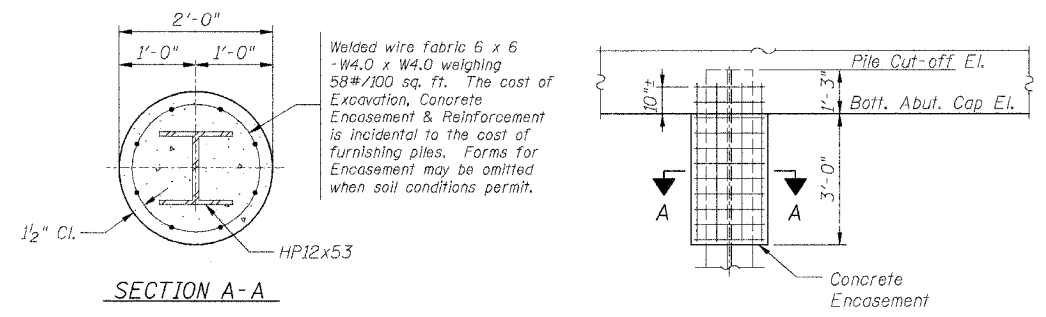


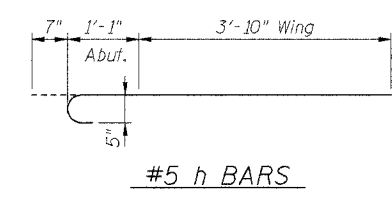
ROUTE	SECTION	COUNTY	TOTAL SHEETS	SHEET NO.
CH 5	03-00121-00-BR	MARION	11	10
FED. ROAD DIST. NO. 7		ILLINOIS	FEDERAL AID PROJECT	
CONTRACT NO. 95401				



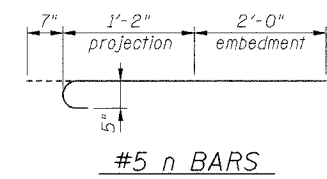
SECTION THRU ABUTMENT



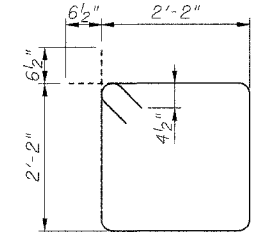
PILE ENCASUREMENT DETAIL



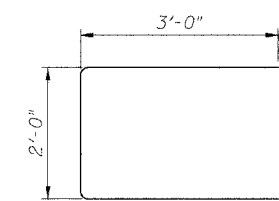
#5 h BARS



#5 n BARS



#4 s BARS



#6 u BARS

PILE DATA

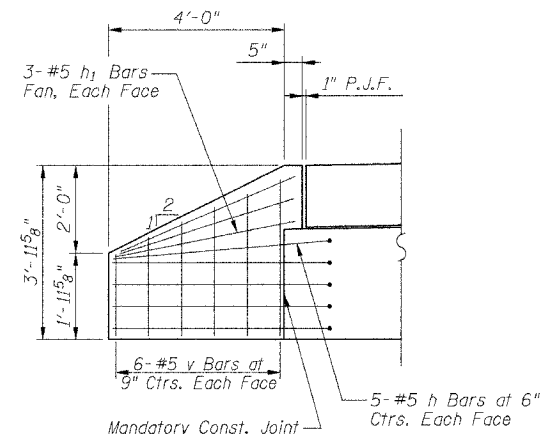
Type:
 South Abutment Steel HP12x53
 North Abutment Steel HP12x53

Number Required:
 South Abutment 3+1 Test Pile
 North Abutment 4

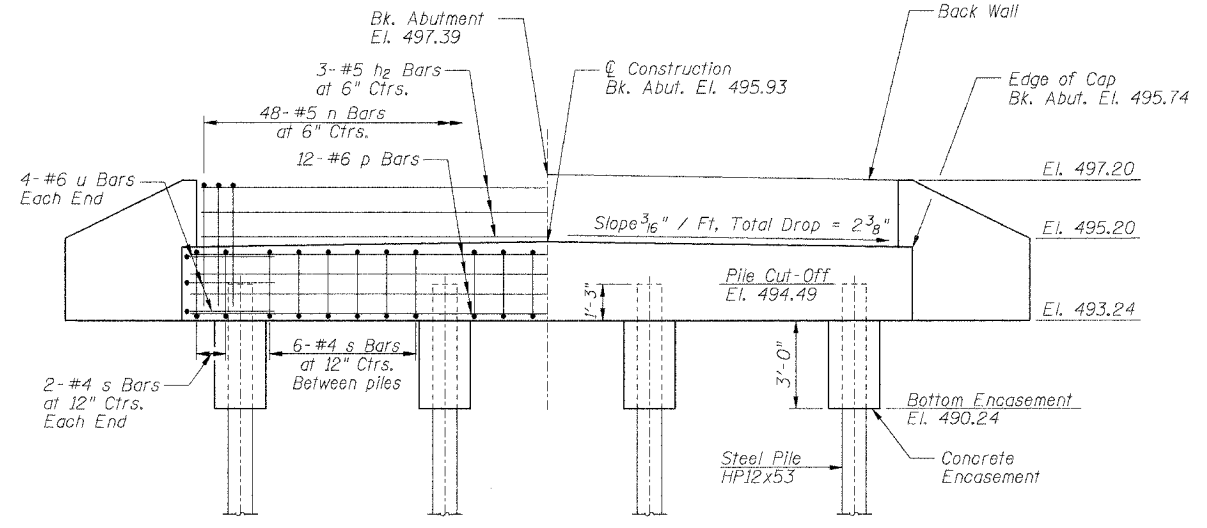
Capacity: Drive to Refusal

Estimated Length:
 South Abutment 35 foot
 North Abutment 35 foot

Total Estimated Length:
 (Does not include Test Pile)
 Steel HP12x53 245 foot



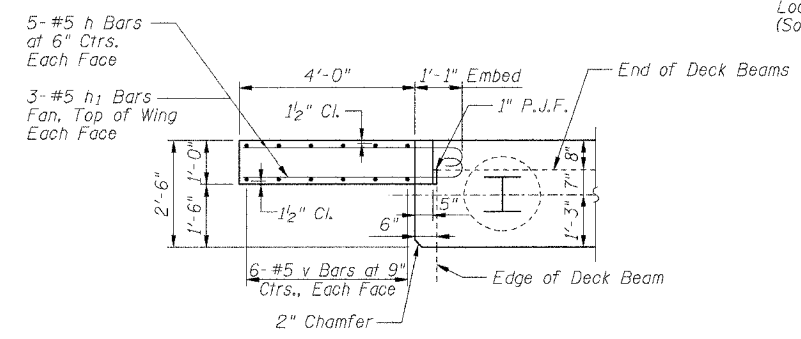
ELEVATION OF WINGWALL



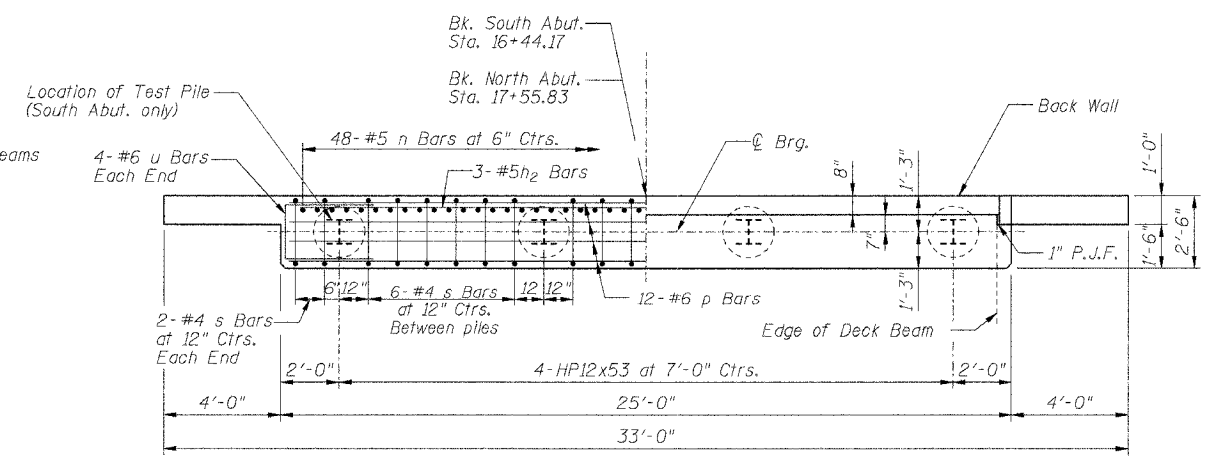
ELEVATION

BILL OF MATERIALS
ONE ABUTMENT w/ WINGWALLS

Bar	No.	Size	Length	Shape
h	20	#5	5'-6"	
h1	12	#5	4'-6"	
h2	3	#5	23'-8"	
n	48	#5	3'-9"	
p	12	#6	24'-8"	
s	22	#4	9'-9"	
u	8	#6	8'-0"	
v	24	#5	4'-0"	CUT IN FIELD
Concrete Structures			Cu. Yd.	7.8
Reinforcement Bars			Pound	1220



WINGWALL CONNECTION DETAIL



PLAN

GENERAL NOTES

All exposed edges shall have standard 3/4" chamfer, unless otherwise noted.

All clearances between rebar and form surface shall be 2", unless otherwise noted.

Space reinforcement in cap to miss PPCDB dowel rods.

ABUTMENT DETAILS
 PROPOSED BRIDGE CARRYING CH 5
 OVER EAST FORK KASKASKIA RIVER
 SECTION 03-00121-00-BR
 MARION COUNTY, ILLINOIS

Sheet 10 of 11
 Job No. 51103

03/10/2004