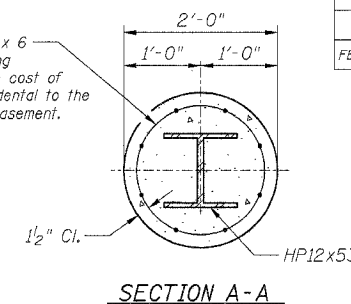


ROUTE	SECTION	COUNTY	TOTAL SHEETS	SHEET NO.
CH 5	03-00121-00-BR	MARION	11	11
FED. ROAD DIST. NO. 7	ILLINOIS	FEDERAL AID PROJECT		
CONTRACT NO. 95401				

Welded wire fabric 6 x 6 - W4.0 x W4.0 weighing 58#/100 sq. ft. The cost of Reinforcement is incidental to the cost of Concrete Encasement.



PILE DATA

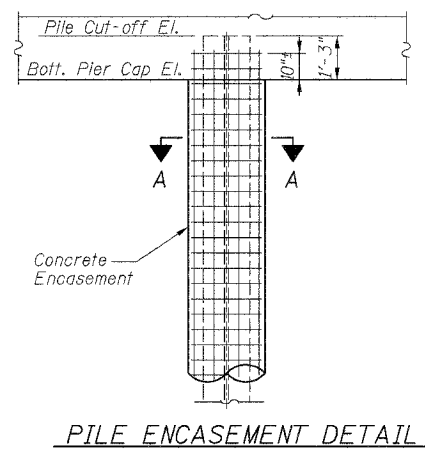
Type:
 Pier No. 1 Steel HP12x53
 Pier No. 2 Steel HP12x53

Number Required:
 Pier No. 1 4
 Pier No. 2 4

Capacity: Drive to Refusal

Estimated Length:
 Pier No. 1 35 foot
 Pier No. 2 35 foot

Total Estimated Length:
 Steel HP12x53 280 foot



BILL OF MATERIALS ONE PIER

Bar	No.	Size	Length	Shape
p ₁	14	#6	25'-8"	—
s ₁	24	#4	10'-9"	□
u ₁	8	#6	9'-0"	—
u ₂	24	#4	6'-6"	U
Concrete Structures				
			Cu. Yd.	8.7
Concrete Encasement				
			Cu. Yd.	7.0
Reinforcement Bars				
			Pound	920

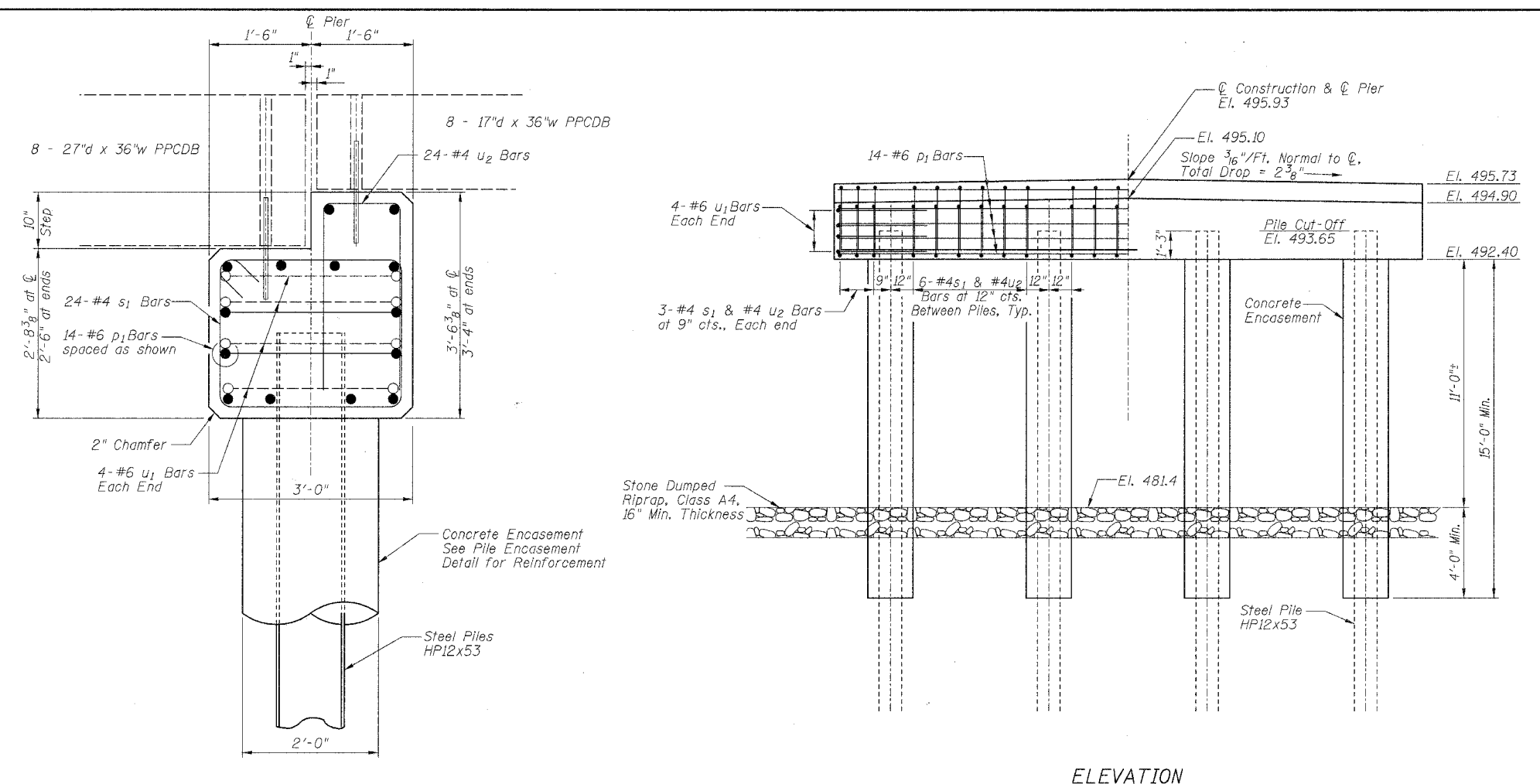
GENERAL NOTES

All exposed edges shall have 2" chamfer, unless otherwise noted.

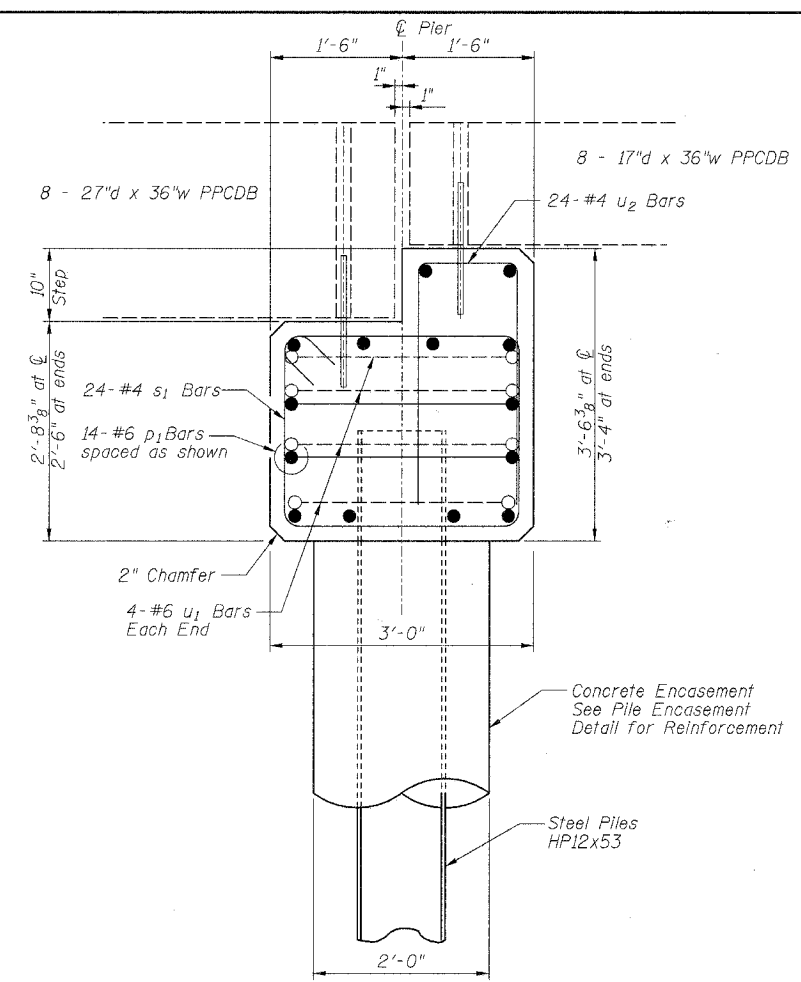
All clearances between rebar and form surface shall be 2", unless otherwise noted.

Space reinforcement in cap to miss PPCDB dowel rods.

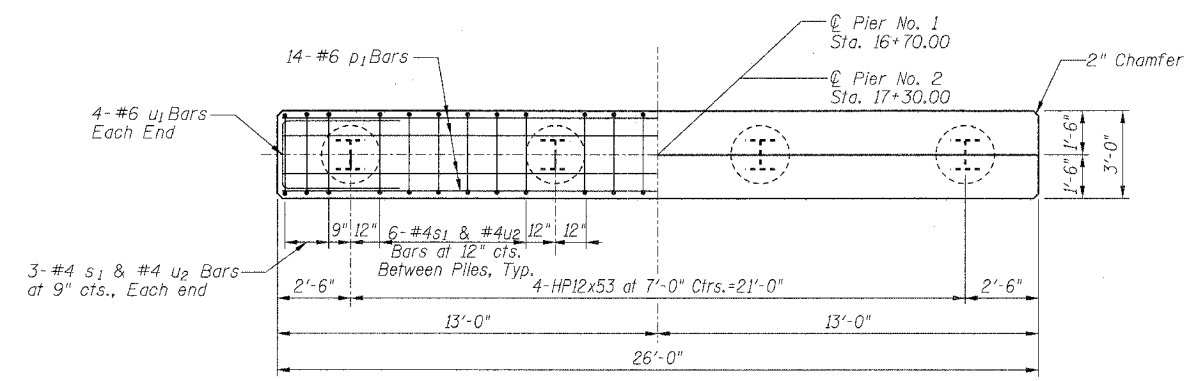
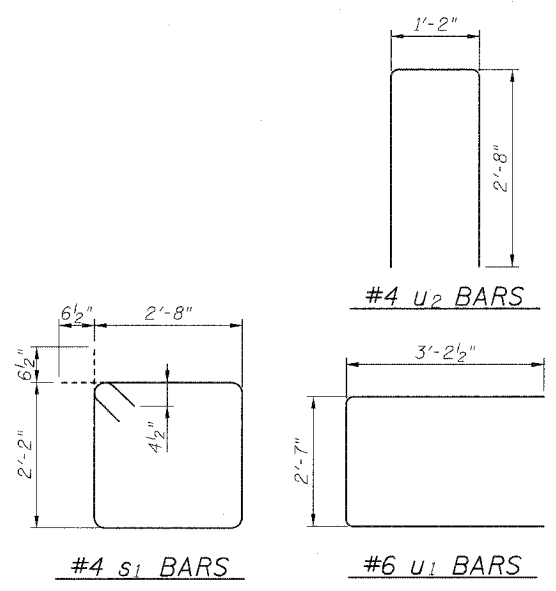
PIER DETAILS
 PROPOSED BRIDGE CARRYING CH 5
 OVER EAST FORK KASKASKIA RIVER
 SECTION 03-00121-00-BR
 MARION COUNTY, ILLINOIS



ELEVATION



SECTION THRU PIER



PLAN