

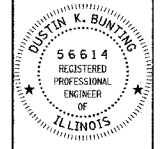
F.A.S.	SECTION	COUNTY	TOTAL SHEETS	SHEET NO.
880	02-00091-00-FP	HAMILTON	57	6
FED. ROAD DIST. NO. 7 ILLINOIS		BELLE PRAIRIE ROAD	STA 75+00 TO STA 120+00	
LEC JOB # H021025MM		CONTRACT NO. 95414		

323 W. 3RD. ST.  
P.O. BOX 160  
MT. CARMEL, IL  
62863  
PHONE: (618)-262-8651  
FAX: (618)-263-3327

405 W. STATE ST.  
SUITE 1  
PRINCETON, IN  
47670  
PHONE: (812)-386-7611  
FAX: (812)-385-2812



PROFESSIONAL  
DESIGN FIRM  
LAND SURVEY &  
PROFESSIONAL  
ENGINEERING  
CORPORATION  
184-000887  
(62-032435) (35-002769)



DUSTIN K. BUNTING  
NAME  
SIGNATURE  
DATE  
11-30-05  
EXPIRES

F.A.S. 880 (CH 8)  
BELLE PRAIRIE ROAD  
SECTION 02-00091-00-FP  
HAMILTON COUNTY, ILLINOIS

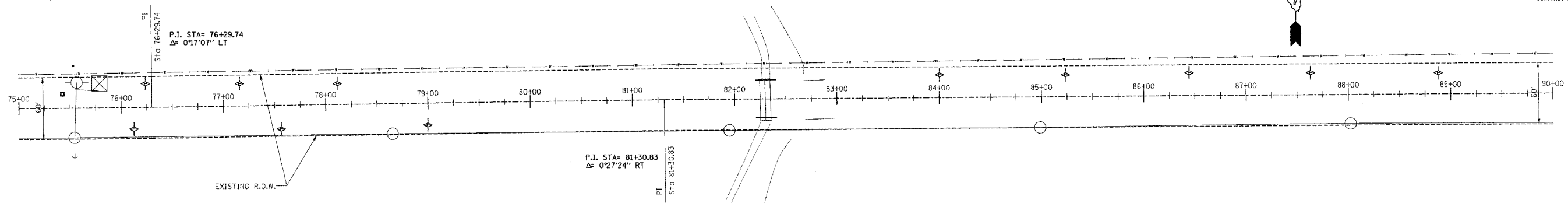
SHEET TITLE:

EROSION  
CONTROL PLAN

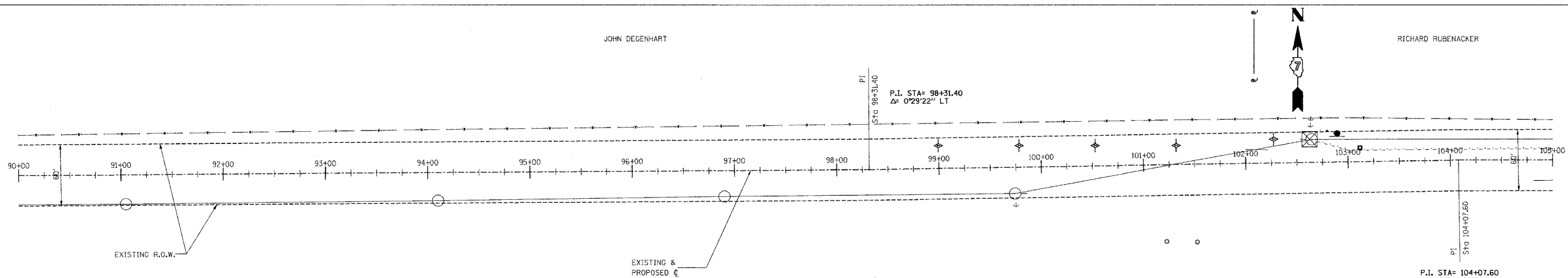
SCALE: VARIES  
BY: DKB  
DATE: 05/20/04  
REV:

6 OF 57  
SHEETS

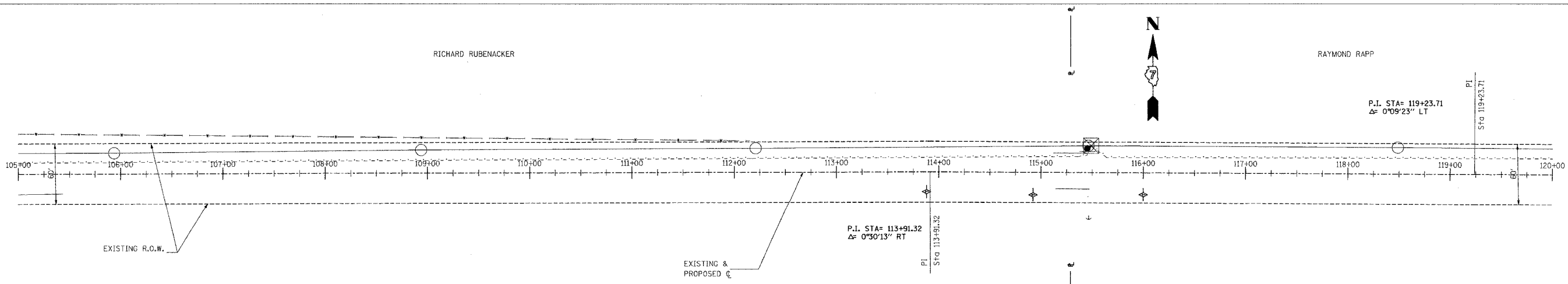
SHEET NO.  
6



RICHARD RUBENACKER



RICHARD RUBENACKER



RICHARD RUBENACKER

ALVIN STICH