

| | | | | |
|--------------------------------|----------------|--------------------|------------------------|-----------|
| F.A.S. | SECTION | COUNTY | TOTAL SHEETS | SHEET NO. |
| B80 | 02-00091-00-FP | HAMILTON | 57 | 13 |
| FED. ROAD DIST. NO. 7 ILLINOIS | | BELLE PRAIRIE ROAD | STA 45+00 TO STA 60+00 | |
| LEC JOB # H02L025IM | | CONTRACT NO. 95414 | | |

323 W. 3RD ST.
P.O. BOX 160
MT. CARMEL, IL
62863
PHONE: (618)-262-8651
FAX: (618)-263-3327

405 W. STATE ST
SUITE 1
PRINCETON, IN
47670
PHONE: (812)-386-7611
FAX: (812)-385-2812



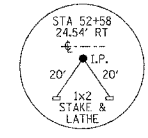
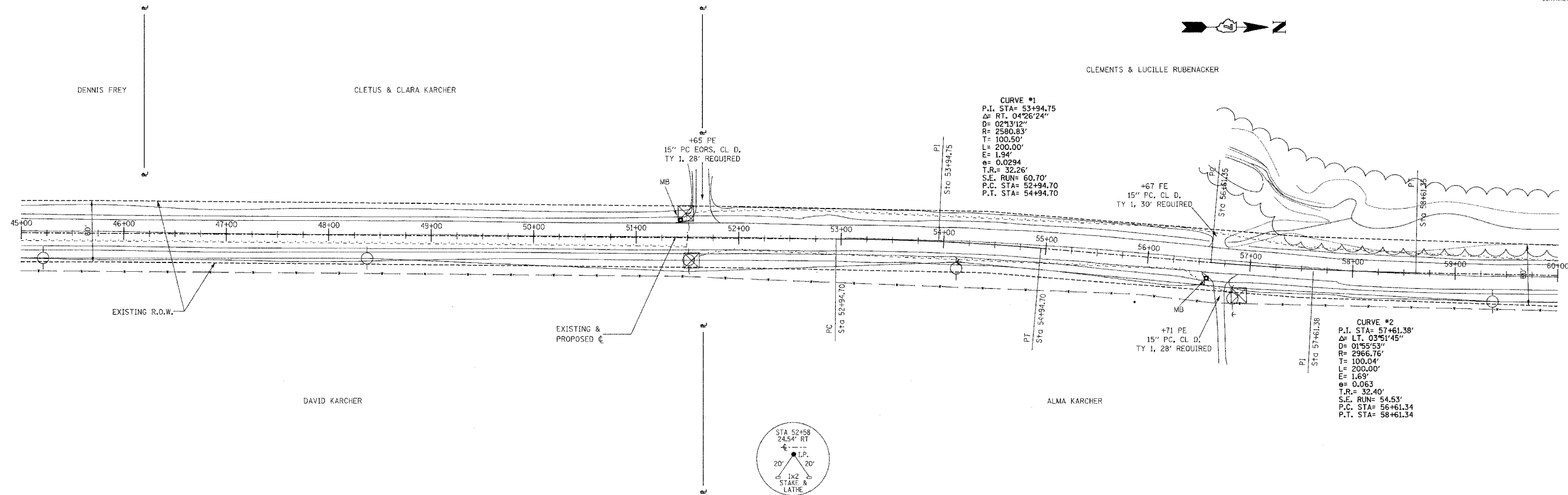
PROFESSIONAL DESIGN FIRM
LAND SURVEY & PROFESSIONAL ENGINEERING CORPORATION
184-000887
(62-032435)(35-002769)



DUSTIN K. BUNTING
NAME
SIGNATURE
DATE: 10-20-04
EXPIRES: 11-30-05

F.A.S. 880 (CH 8)
BELLE PRAIRIE ROAD
SECTION 02-00091-00-FP
HAMILTON COUNTY, ILLINOIS

SHEET TITLE:
PLAN & PROFILE
SCALE: Varies
BY: DKB
DATE: 10/15/00
REV:
13 OF 57 SHEETS
SHEET NO. 13



T.B.M.: I.P. ±STA. 52+58, 24.54' RT., ELEV. = 425.39

