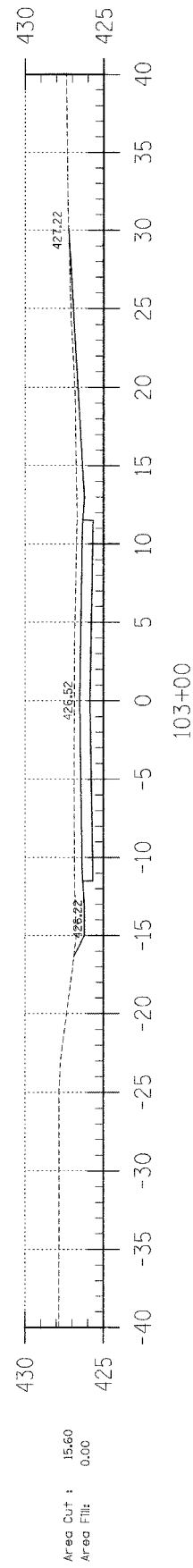
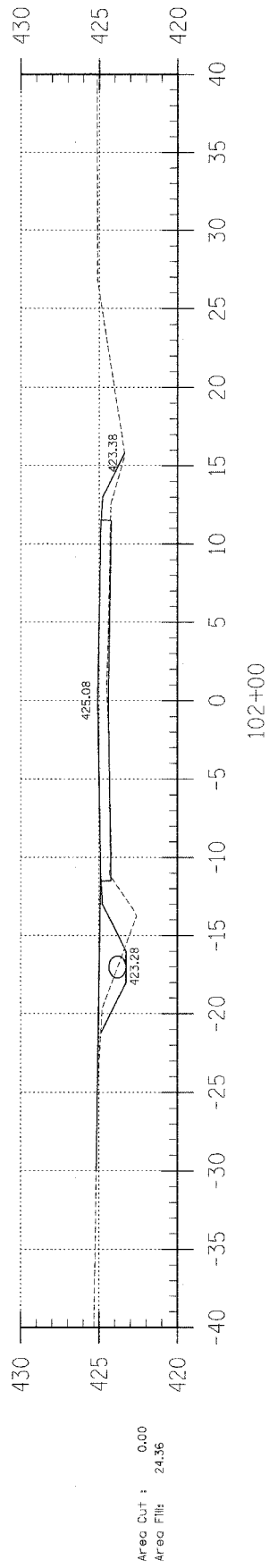


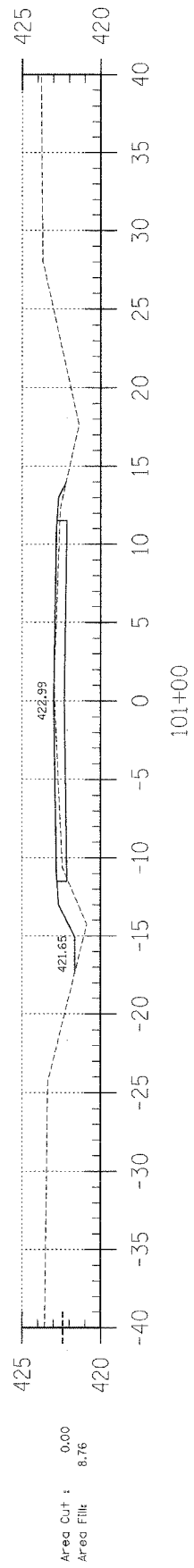
Area Cut : 3.67  
Area Fill : 0.00



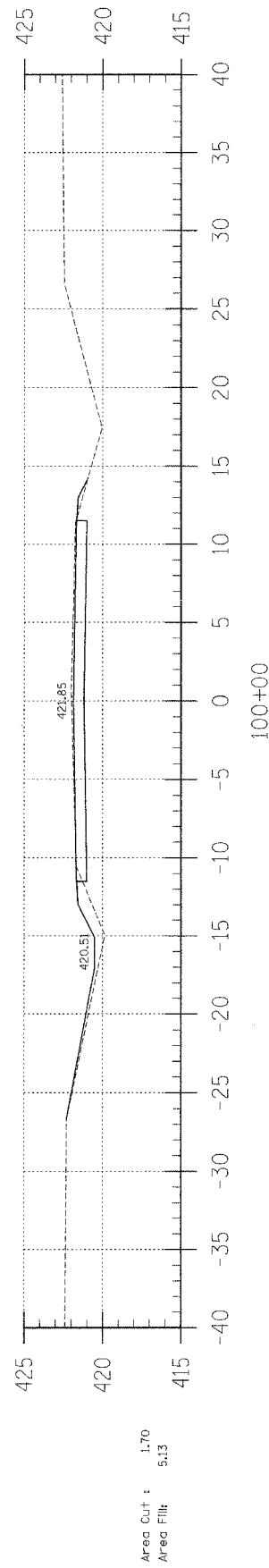
Area Cut : 15.60  
Area Fill : 0.00



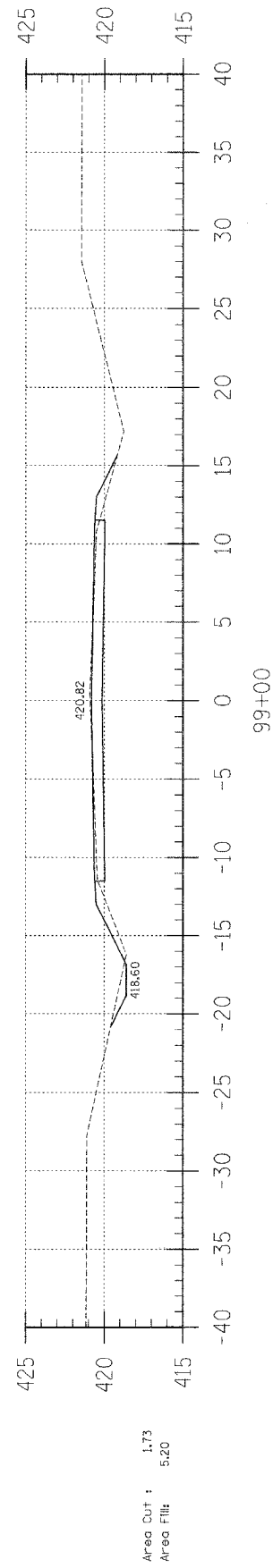
Area Cut : 0.00  
Area Fill : 24.36



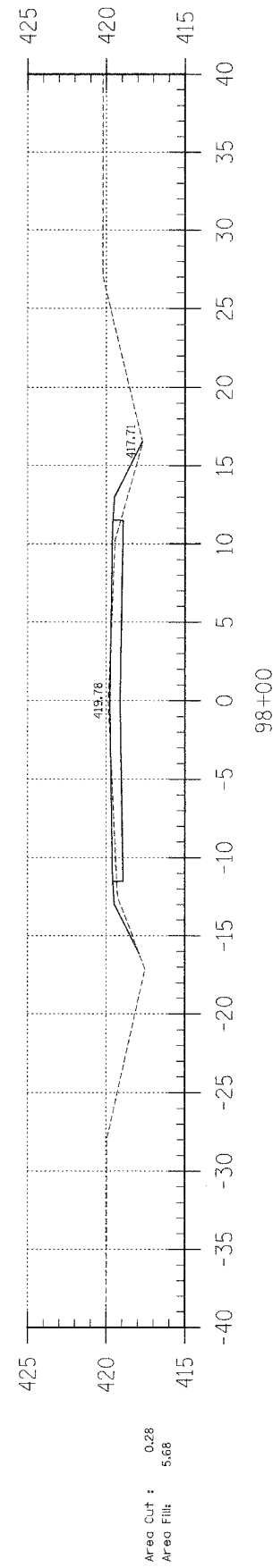
Area Cut : 0.00  
Area Fill : 8.76



Area Cut : 1.70  
Area Fill : 5.13



Area Cut : 1.73  
Area Fill : 5.20



Area Cut : 0.28  
Area Fill : 5.68

F.A.S.	SECTION	COUNTY	TOTAL SHEETS	SHEET NO.
880	02-00091-00-FP	HAMILTON	57	38
FED. ROAD DIST. NO. 7		ILLINOIS	BELLE PRAIRIE ROAD	
LEC JOB # H02L0294M		CONTRACT NO. 9544		

323 W. 3RD ST.  
P.O. BOX 160  
MT. CARMEL, IL  
62863

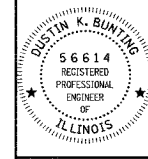
PHONE:  
(618)-262-8851  
FAX:  
(618)-263-3327

405 W. STATE ST.  
SUITE 1  
PRINCETON, IN  
47670

PHONE:  
(812)-386-7611  
FAX:  
(812)-385-2812



PROFESSIONAL  
DESIGN FIRM  
LAND SURVEY &  
ENGINEERING  
CORPORATION  
184-000887  
(62-032435)(35-002769)



DUSTIN K. BUNTING  
NAME  
*[Signature]*  
SIGNATURE  
DATE  
11-30-05  
EXPIRES

F.A.S. 880 (CH 8)  
BELLE PRAIRIE ROAD  
SECTION 02-00091-00-FP  
HAMILTON COUNTY, ILLINOIS

SHEET TITLE:

CROSS-SECTIONS

SCALE: 1" = 5'  
BY: DKB  
DATE: 06/04  
REV: MLG

38 OF 57  
SHEETS

SHEET NO.  
38