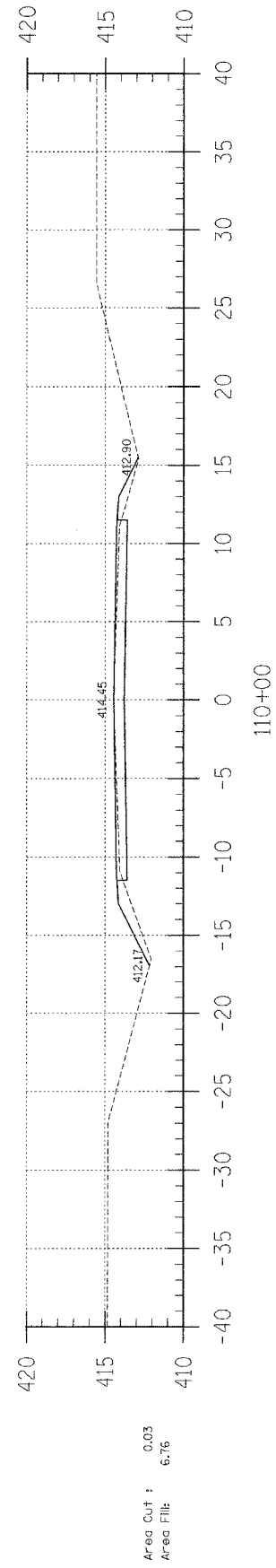
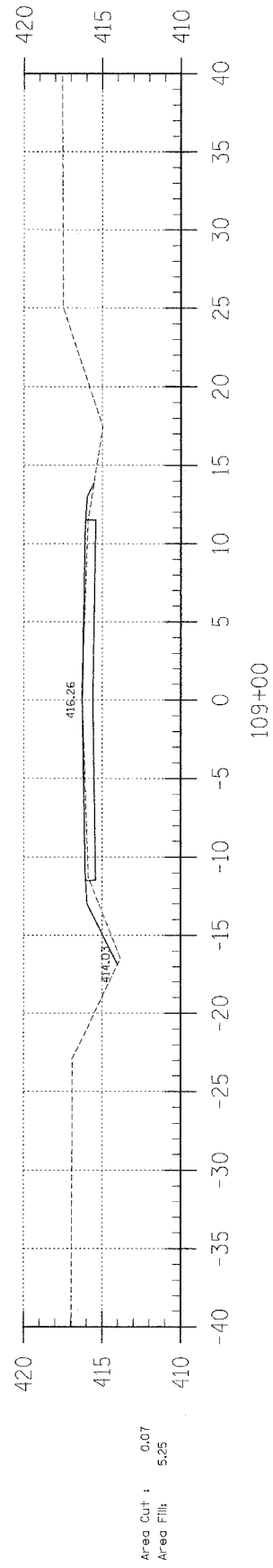


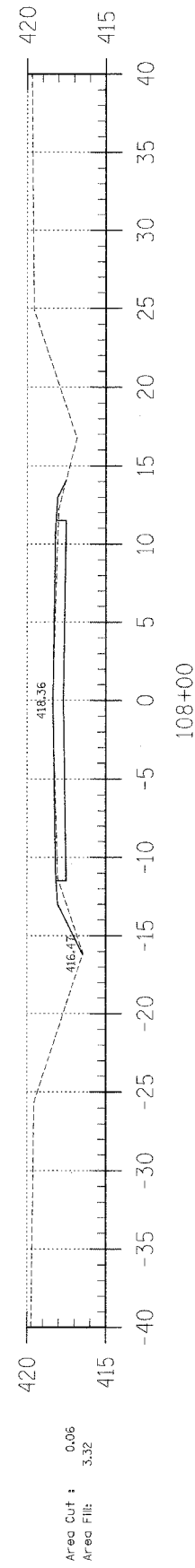
Area Cut : 0.00
Area Fill : 6.52



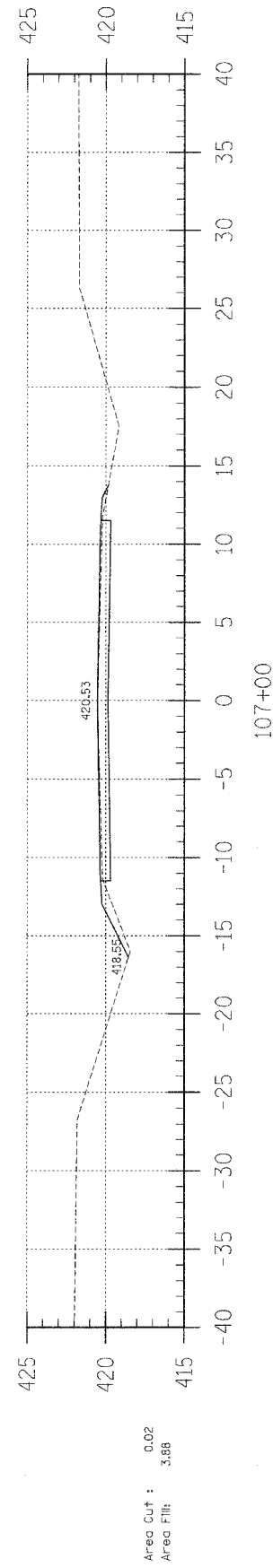
Area Cut : 0.03
Area Fill : 6.76



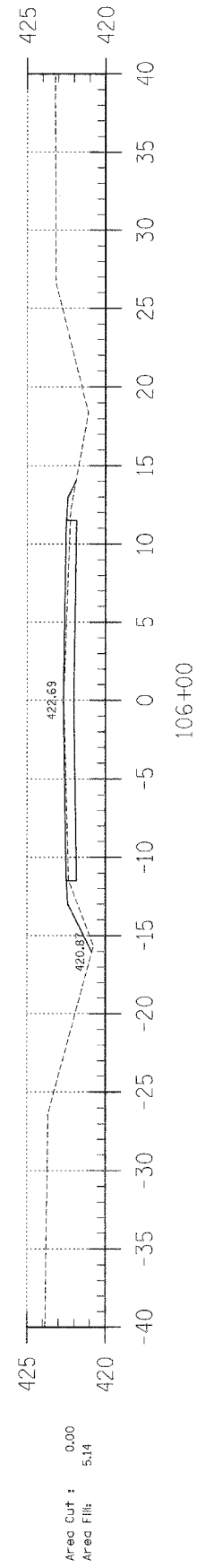
Area Cut : 0.07
Area Fill : 5.25



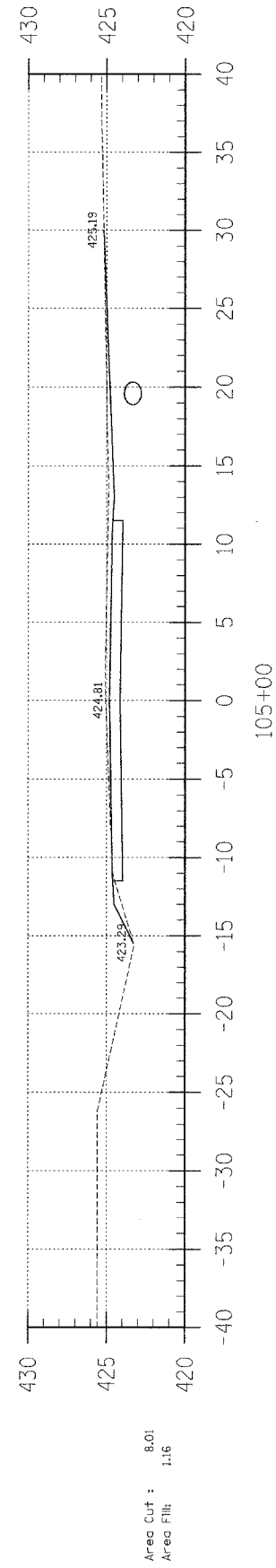
Area Cut : 0.06
Area Fill : 3.32



Area Cut : 0.02
Area Fill : 3.88



Area Cut : 0.00
Area Fill : 5.14



Area Cut : 8.01
Area Fill : 1.16

F.A.S.	SECTION	COUNTY	TOTAL SHEETS	SHEET NO.
880	02-00091-00-FP	HAMILTON	57	39
FED. ROAD DIST. NO. 7 ILLINOIS		BELLE PRAIRIE ROAD		
LEC. JOB # HD2L0254M		CONTRACT NO. 95414		

323 W. 9RD. ST.
P.O. BOX 160
MT. CARMEL, IL
62863

PHONE:
(618)-262-8651
FAX:
(618)-263-3327

405 W. STATE ST.
SUITE 1
PRINCETON, IN
47670

PHONE:
(812)-386-7611
FAX:
(812)-385-2812

LAMAC
ENGINEERING CO.

PROFESSIONAL DESIGN FIRM
LAND SURVEY & PROFESSIONAL ENGINEERING CORPORATION
184-00087
(62-032435)(35-002769)

DUSTIN K. BUNTING
56614
REGISTERED PROFESSIONAL ENGINEER
ILLINOIS

DUSTIN, K. BUNTING
NAME
[Signature]
SIGNATURE
DATE: 12-20-05
11-30-05
EXPIRES

F.A.S. 880 (CH 8)
BELLE PRAIRIE ROAD
SECTION 02-00091-00-FP
HAMILTON COUNTY, ILLINOIS

SHEET TITLE:

CROSS-SECTIONS

SCALE: 1" = 5'

BY: DKB
DATE: 06/04
REV: MLG

39 OF 57
SHEETS

SHEET NO.
39