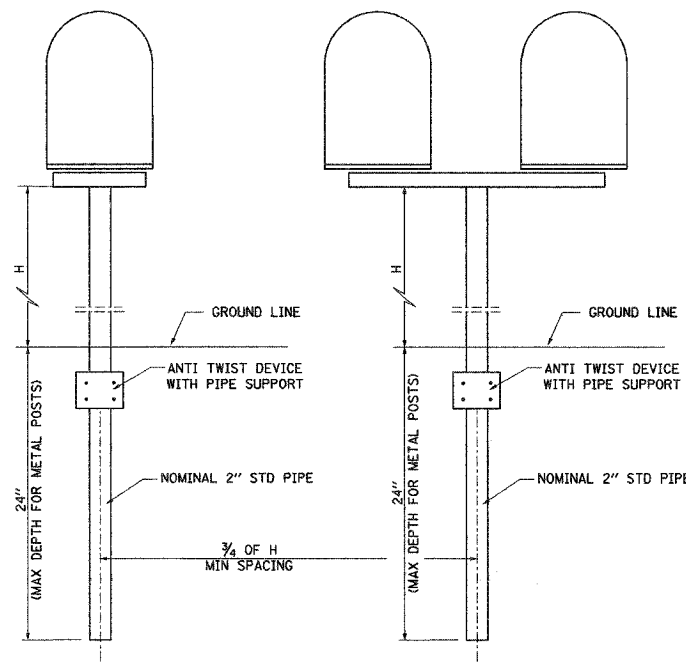


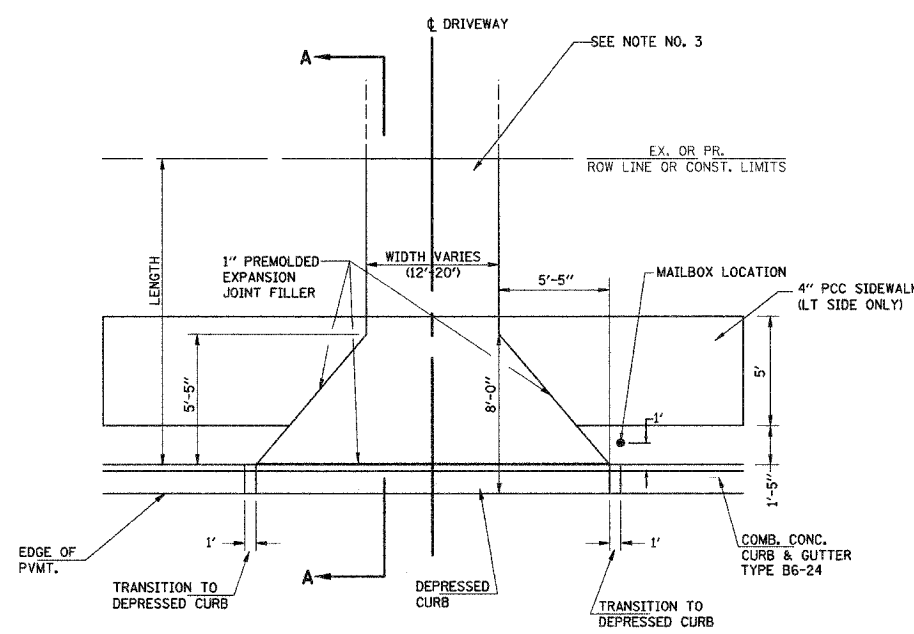
F.A.U. RTE.	SECTION	COUNTY	TOTAL SHEETS	SHEET NO.
9195	*	ST CLAIR	54	29
STA.	TO STA.			

* CITY SECTION #01-00039-00-FP
 COUNTY SECTION #03-00360-00-PV

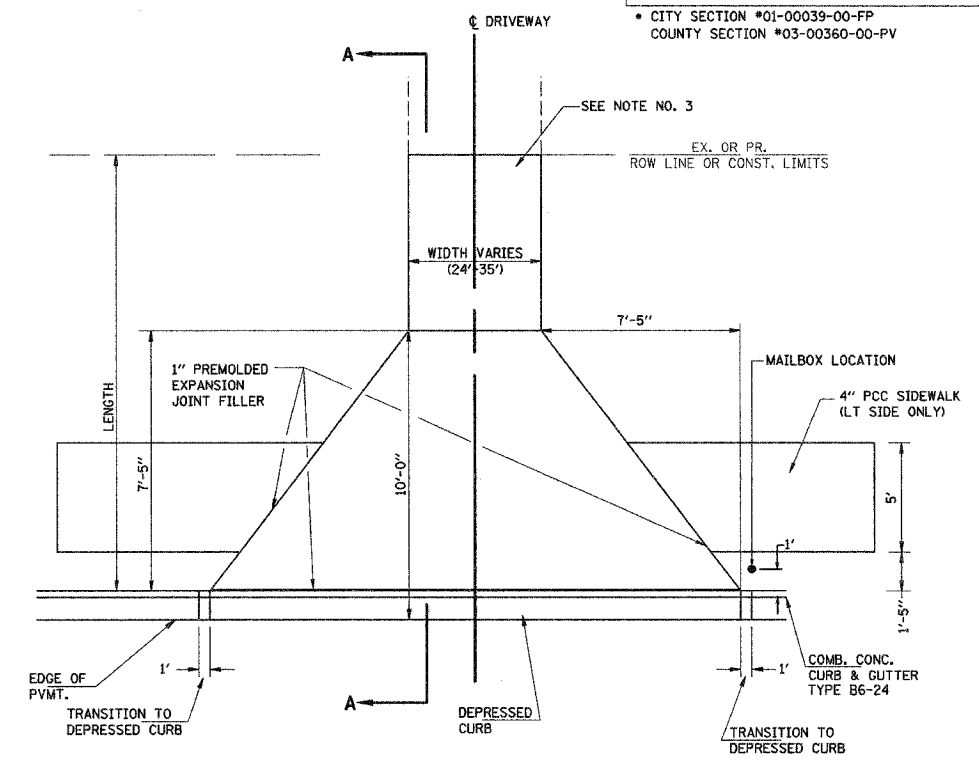


SINGLE AND DOUBLE MAILBOX INSTALLATION

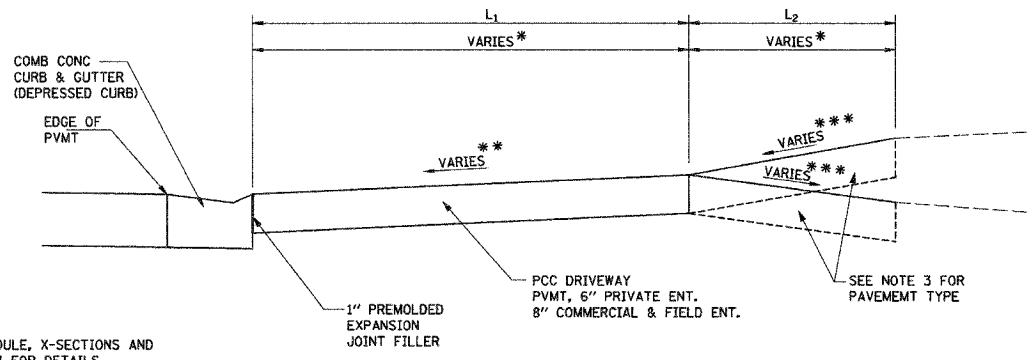
COST OF ALL MATERIALS REQUIRED AND ALL LABOR NECESSARY WILL NOT BE PAID FOR SEPARATELY BUT SHALL BE CONSIDERED AS INCLUDED IN THE UNIT BID PRICES OF THE CONTRACT AND NO ADDITIONAL COMPENSATION WILL BE ALLOWED.



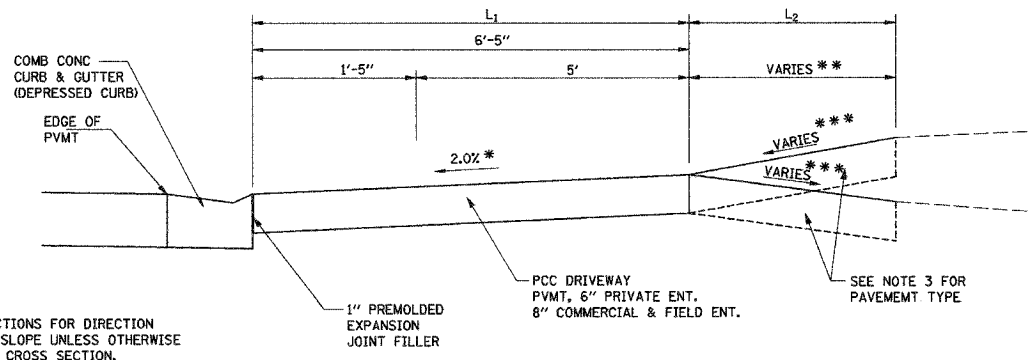
PLAN (PRIVATE ENTRANCES)
(NO SCALE)



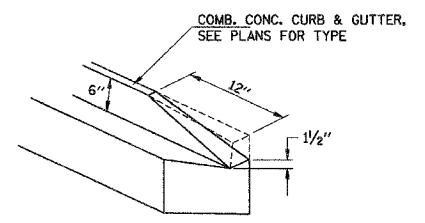
PLAN (COMMERCIAL ENTRANCES)
(NO SCALE)



SECTION A-A (RT SIDE)



SECTION A-A (LT SIDE)



TAPER DETAIL FOR DEPRESSED CURB

* SEE SCHEDULE, X-SECTIONS AND PLAN VIEW FOR DETAILS
 ** 8% MAX

* SEE X-SECTIONS FOR DIRECTION USE 2.0% SLOPE UNLESS OTHERWISE SHOWN ON CROSS SECTION.
 ** SEE SCHEDULE, X-SECTIONS AND PLAN VIEW FOR DETAILS
 *** 8% MAX

- NOTES:
- CONSTRUCT ENTRANCE TO ROW LINE UNLESS OTHERWISE SHOWN ON THE PLAN.
 - THE COST OF FURNISHING AND INSTALLING THE 1" PREMOLDED EXPANSION JOINT FILLER SHALL BE INCIDENTAL TO THE COST OF THE DRIVEWAY PAVEMENT.
 - CONSTRUCTION BEYOND FLARE/SIDEWALK SHALL BE:
 - EXIST. PCC PAVT. - CONSTRUCT PCC DRIVEWAY PAVT., 6" PRIVATE, 8" COMMERCIAL
 - EXIST. BIT. SURF. - CONSTRUCT 2" INCIDENTAL BIT. SURF. ON 6" AGG. BSE. COURSE TY. B
 - EXIST. AGG. OR EARTH SURF. - CONSTRUCT AGG. SURF. COURSE, TYPE A, 8"

REVISIONS	
NAME	DATE

ST CLAIR COUNTY, ILLINOIS

ENTRANCE DETAILS

SCALE: NO SCALE
 DATE: 12-01-04

DRAWN BY: JJC
 CHECKED BY: MAR