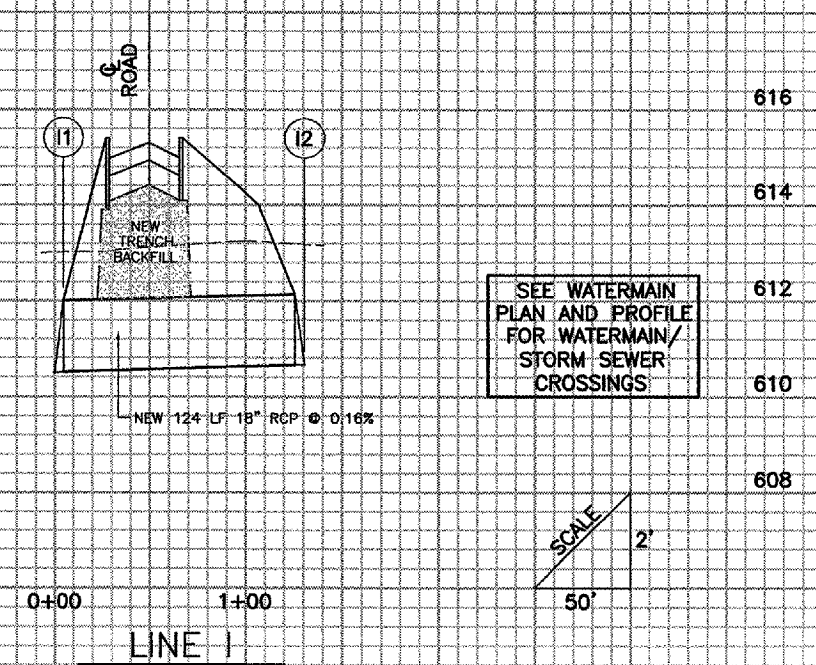
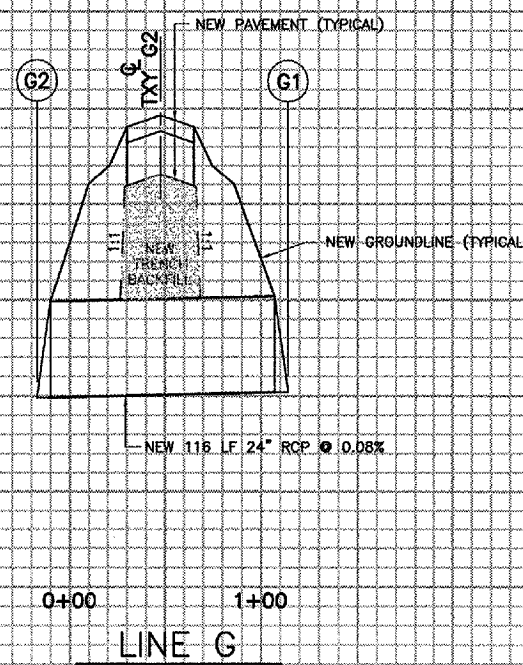
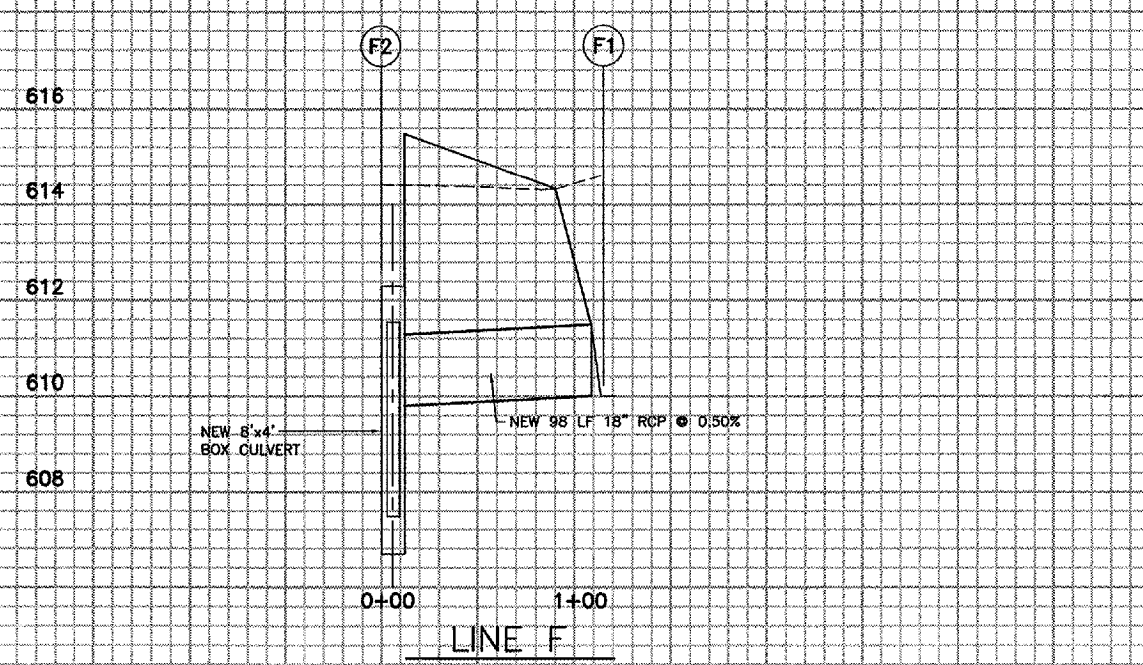
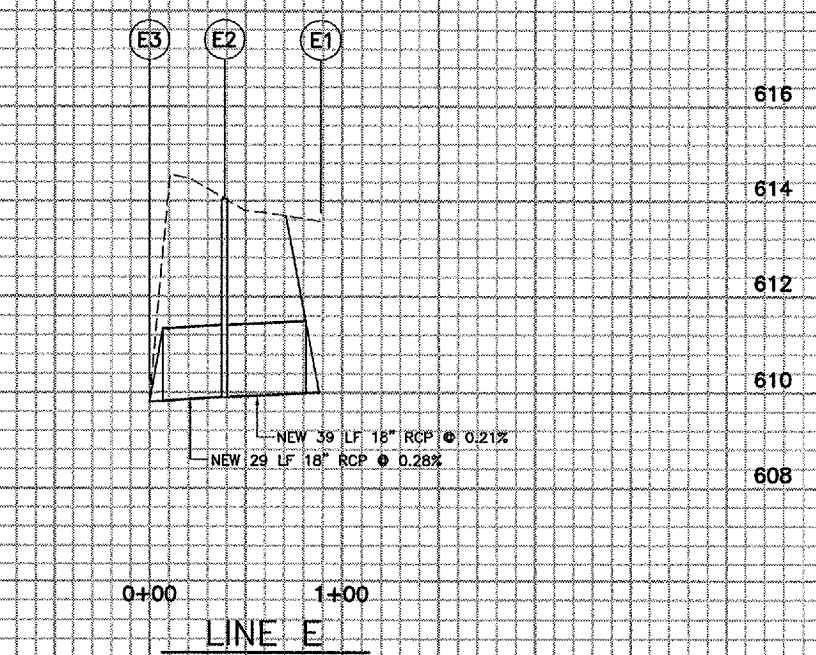
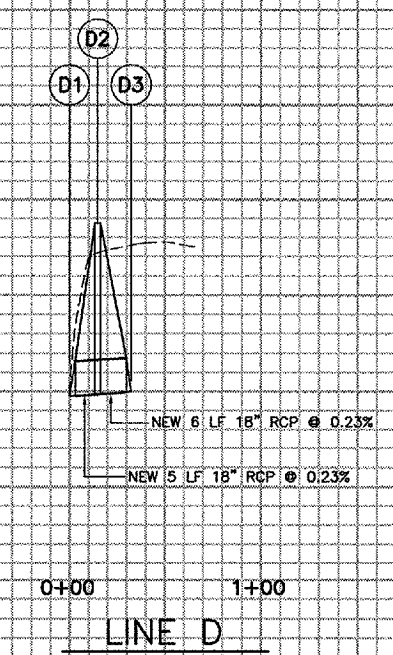
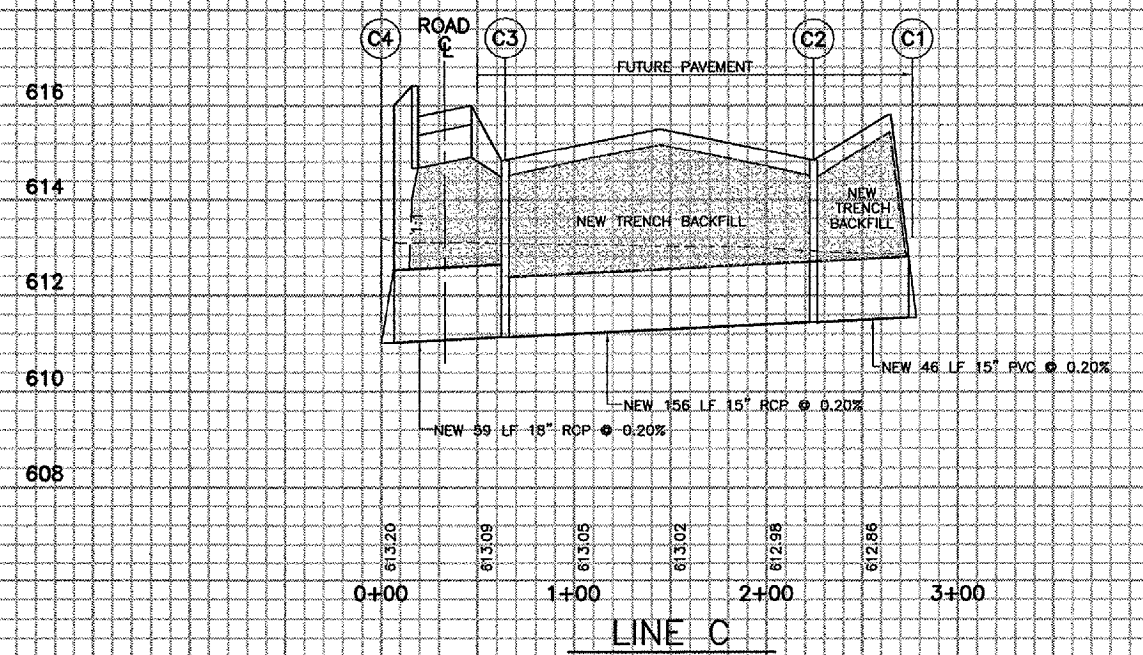
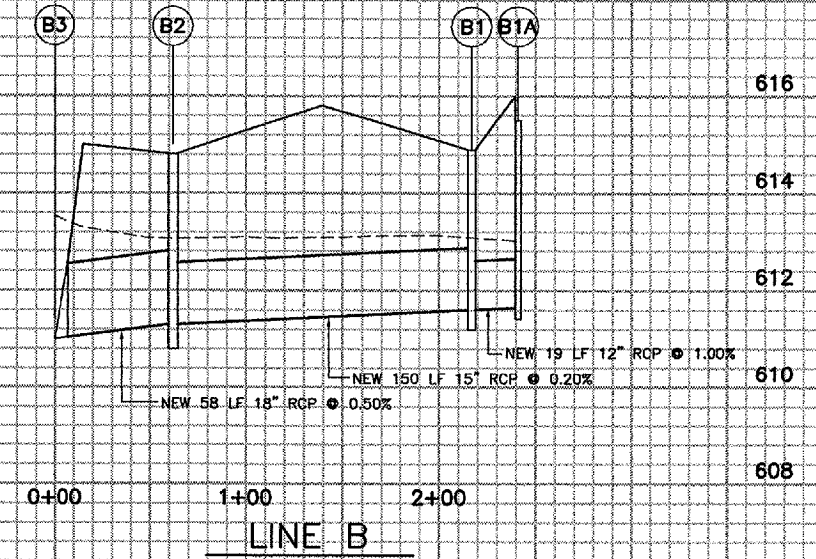
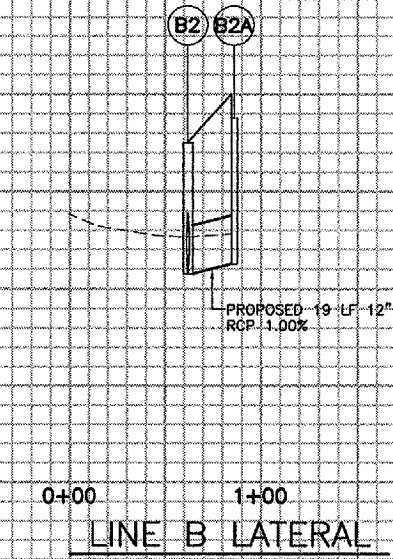
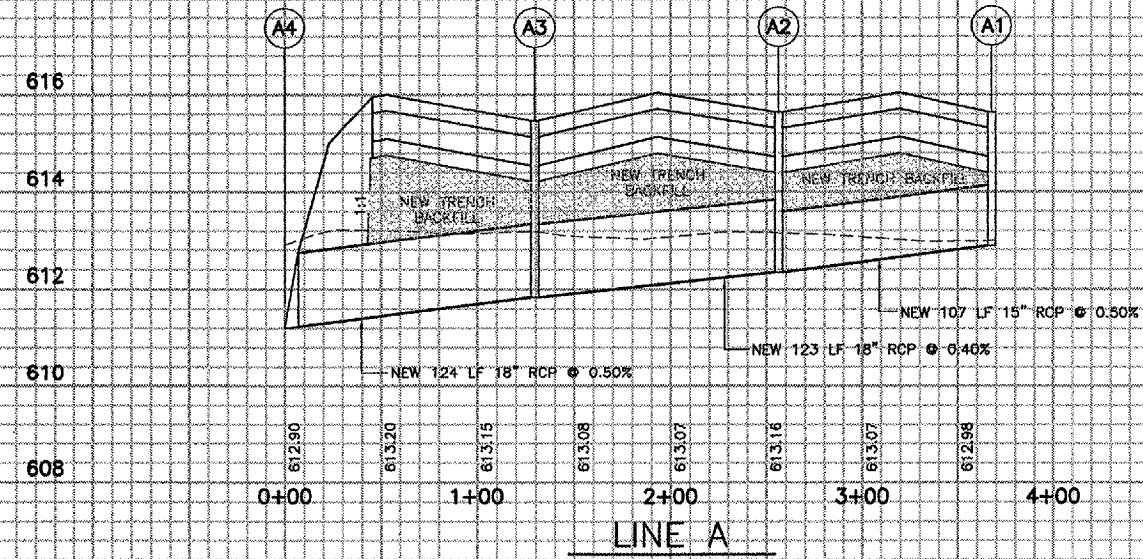
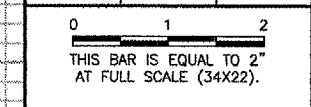
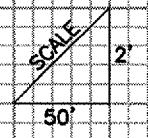


REVISIONS		
NUMBER	BY	DATE




SEE WATERMAIN
 PLAN AND PROFILE
 FOR WATERMAIN/
 STORM SEWER
 CROSSINGS




LANSING MUNICIPAL AIRPORT
LANSING, ILLINOIS
NORTH QUADRANT SITEWORK - PHASE 1
AND TAXIWAY G2 EXTENSION
STORM SEWER PROFILES

© Copyright CMT, Inc.



CMT
 CRAWFORD, MURPHY & TILLY, INC.
 CONSULTING ENGINEERS
 License No. 184-000613



DESIGN BY:	ARM
DRAWN BY:	JRO
CHECKED BY:	ARM
APPROVED BY:	
DATE:	03/04/05
JOB No:	03297-02
IL PROJECT: IGQ-3329 A.I.P. PROJECT: 3-17-0121-B21	
SHEET 16 OF 50 SHEETS	