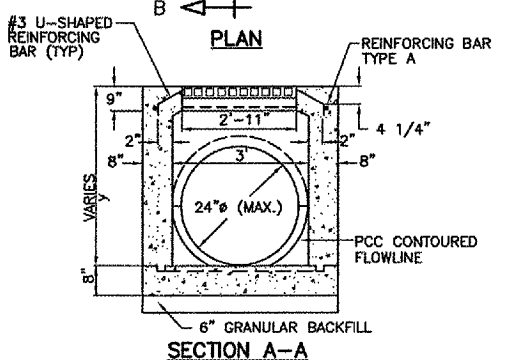


REINFORCING BAR SCHEDULE

TYPE	PER INLET	DIMENSIONS		SIZE	APPROX. WT. OF BARS IN INLET
		A	B		
A	2	3'-4"	2'-4"	#5	16.7

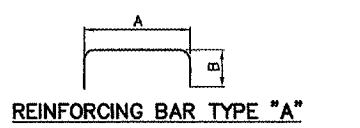
REINFORCING STEEL BARS TYPES



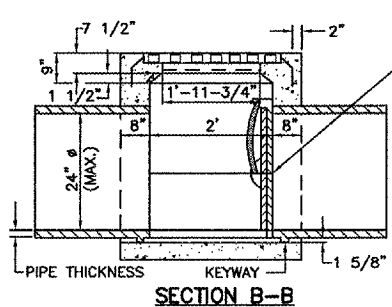
TYPE 1 INLET
NOT TO SCALE

NOTES

- 1/2" CHAMFER TO BE USED ON ALL EXPOSED CORNERS ON INLETS. BARS TO BE INSTALLED 2" FROM FACE OF WALL.
- INLET TO BE CONSTRUCTED OF STRUCTURAL P.C. CONCRETE. THE CONTRACT UNIT PRICE FOR INLET SHALL INCLUDE THE GRATE AND FRAME AS SPECIFIED.



REINFORCING BAR TYPE "A"

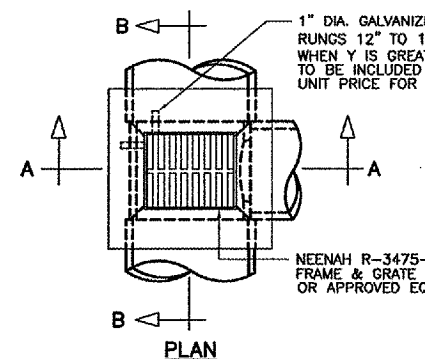


PROPOSED AUTOMATIC DRAINAGE GATE AS REQUIRED PER DRAINAGE PLAN (SEE NOTES)

AUTOMATIC DRAINAGE GATE NOTES:

- EPCON SYSTEM C6 EPOXY ANCHORS MANUFACTURED BY ITW, RAMSET, REDHEAD CO. OR EQUAL SHALL BE USED FOR ANCHORING THE BOLTS.
- ANCHOR BOLT SIZE SHALL BE AS SPECIFIED BY DRAINAGE GATE MANUFACTURER. ALL ANCHOR BOLTS, SCREWS AND NUTS SHALL BE GALVANIZED STEEL, ASTM A307 AND ASTM A164 OF AMPLE SECTION TO SAFELY WITHSTAND FORCES CREATED BY OPERATION SHOWN ON MANUFACTURER'S GATE SCHEDULE.
- USE OF MECHANICAL/EXPANSION TYPE ANCHORS SHALL NOT BE CONSIDERED AS AN ACCEPTABLE ALTERNATE TO THE SPECIFIED CHEMICAL SYSTEMS.
- ANCHOR BOLTS SHALL BE EMBEDDED A MINIMUM DEPTH OF 6" INTO THE PRECAST PORTION OF THE TYPE 1 INLET AND TYPE 2 INLET WALLS. ANCHORING THE BOLTS INTO THE MORTARED PORTION OF THE INLET BETWEEN THE OUTSIDE OF THE DRAINAGE PIPE AND THE OPENING OF THE DRAINAGE INLET WILL NOT BE ALLOWED.
- ANCHOR BOLTS SHALL BE INSTALLED IN THE PRECAST PORTION A MINIMUM OF 3" FROM THE FACE OF THE DRAINAGE STRUCTURE PIPE OPENING.
- AUTOMATIC DRAINAGE GATES SHALL BE NEENAH R-5050-SF OR EQUAL WITH MINIMUM SIZES AS SHOWN BELOW:

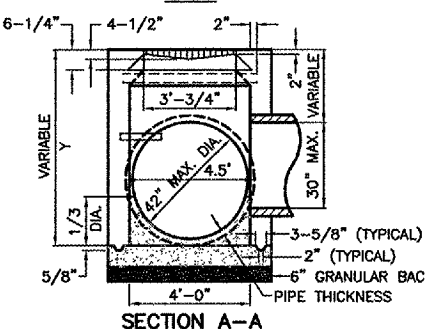
- R-5050-SF30 FOR 18" DIAMETER PIPE OPENING.



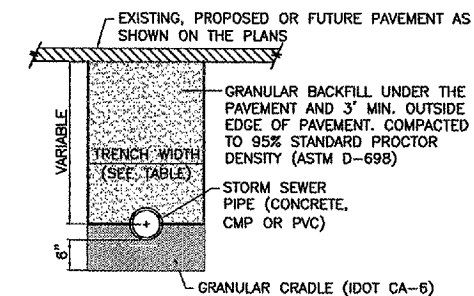
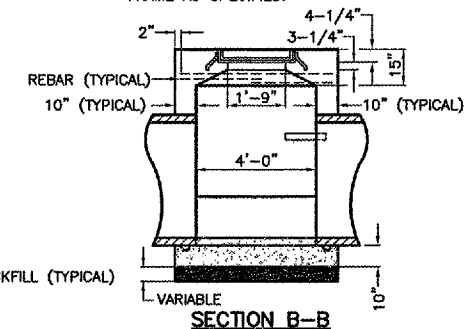
REINFORCING BAR SCHEDULE

TYPE	PER INLET	DIMENSIONS		SIZE	APPROX. WT. OF BARS IN INLET
		A	B		
A	4	5'-4"	3'-4"	#5	43.1

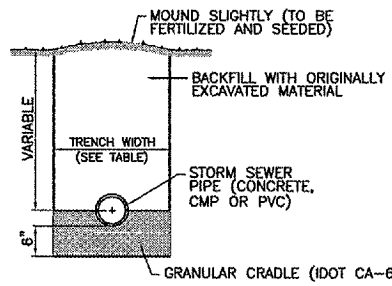
- 1/2" CHAMFER TO BE USED ON ALL EXPOSED CORNERS OF INLETS. BARS TO BE INSTALLED 2" FROM FACE OF WALL.
- INLET TO BE CONSTRUCTED OF STRUCTURAL P.C. CONCRETE. THE CONTRACT UNIT PRICE FOR INLET SHALL INCLUDE THE GRATE AND FRAME AS SPECIFIED.



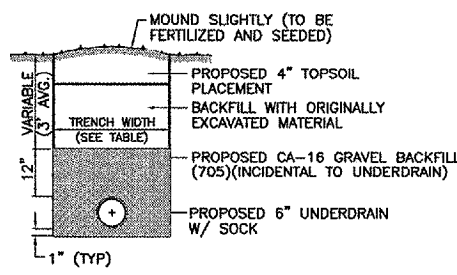
PROPOSED TYPE 2 INLET
NOT TO SCALE



ALL PAVED AREAS



NON-PAVED AREAS



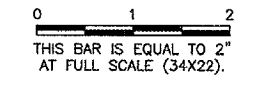
NON-PAVED AREAS AT UNDERDRAIN OUTLET

TRENCH DETAILS - STORM SEWER
NOT TO SCALE

INSIDE DIAMETER OF STORM SEWER (INCHES)	MAXIMUM TRENCH WIDTH
6	3'-7"
8	3'-9"
12	4'-2"
15	4'-6"
18	4'-9"
21	5'-0"
24	5'-4"
27	5'-7"
30	5'-11"
36	6'-6"
42	7'-1"
48	7'-8"
54	8'-3"
60	8'-10"
66	9'-5"
72	10'-0"
78	10'-7"
84	11'-2"
90	11'-9"
96	12'-4"
102	12'-11"
108	13'-6"

REVISIONS

NUMBER	BY	DATE



LANSING MUNICIPAL AIRPORT
LANSING, ILLINOIS
NORTH QUADRANT SITEWORK - PHASE 1
AND TAXIWAY G2 EXTENSION
DRAINAGE DETAILS - SHEET 1

© Copyright CMT, Inc.

CMT
 CRAWFORD, MURPHY & TILLY, INC.
 CONSULTING ENGINEERS
 License No. 184-000613

Lansing Municipal Airport

DESIGN BY:	ARM
DRAWN BY:	JRO
CHECKED BY:	ARM
APPROVED BY:	
DATE:	03/04/05
JOB No:	03297-02
IL PROJECT: IGQ-3329 A.I.P. PROJECT: 3-17-0121-B21	
SHEET 19 OF 50 SHEETS	