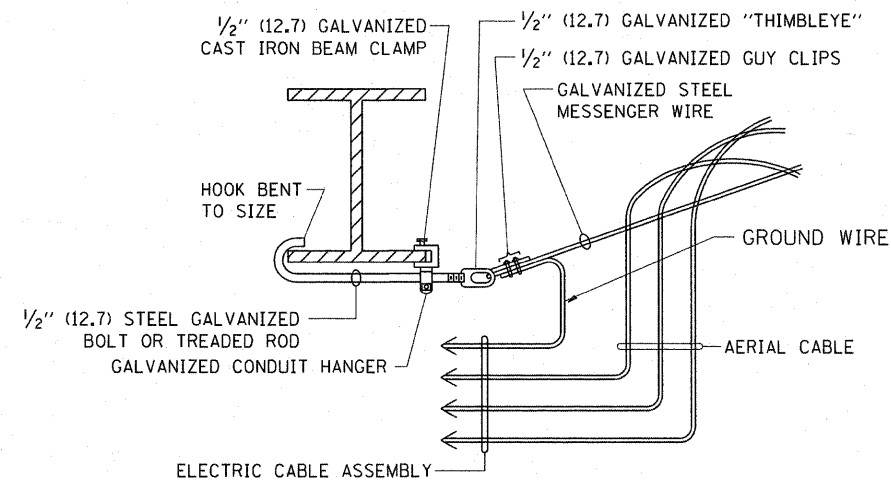


AERIAL CABLE CONNECTION DETAIL

N.T.S.

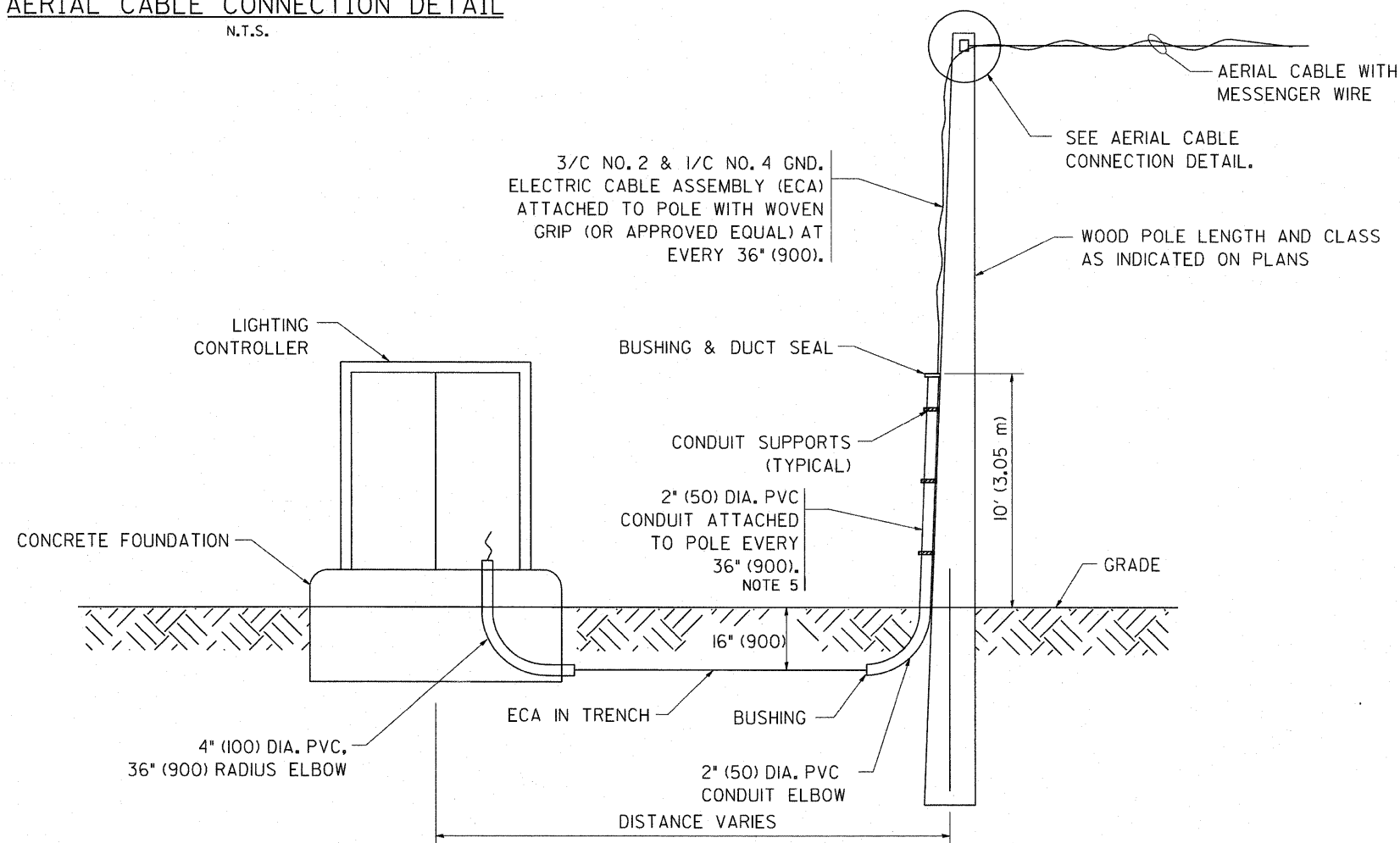


AERIAL CABLE ATTACHED TO STRUCTURE

NOT TO SCALE

NOTES:

1. ALL DIMENSIONS IN INCHES (MILLIMETERS) UNLESS OTHERWISE INDICATED.
2. SEE PROPOSED LIGHTING PLAN FOR CONDUIT, CABLE AND ROUTING.
3. THE CONTRACTOR SHALL PROVIDE INTERMEDIATE SUPPORTS TO MAINTAIN MINIMUM CLEARANCES. REFER TO AERIAL AERIAL CABLE ATTACHED TO STRUCTURE DETAIL.
4. COST OF SPLICES AND MOUNTING HARDWARE SHALL BE INCLUDED IN THE UNIT PRICE FOR AERIAL CABLE.
5. THE COST OF 2" PVC CONDUIT ATTACHED TO POLE SHALL BE INCLUDED IN THE COST OF "LIGHT POLE, WOOD, 60 FOOT, CLASS 4 (INSTALL ONLY)" PAY ITEM. SEPARATE PAYMENT WILL NOT BE MADE.



WOOD POLE TO LIGHTING CONTROLLER WIRING CONNECTION DETAIL

N.T.S.

FILE NAME =	USER NAME = TKJuegel
D160F12-SHT-BE-801.cgn	
PLOT SCALE = 1:1	
PLOT DATE = 3/3/2011	

DESIGNED - IDOT	REVISED -
DRAWN - CJM	REVISED -
CHECKED - KMY	REVISED -
DATE - 2/4/11	REVISED -

STATE OF ILLINOIS
DEPARTMENT OF TRANSPORTATION

STATE OF ILLINOIS DEPARTMENT OF TRANSPORTATION	
SCALE:	TO STA.

TEMPORARY AERIAL CABLE INSTALLATION	
SHEET NO. 1 OF 1 SHEETS	STA. TO STA.

F.A.I. RTE.	SECTION	COUNTY	TOTAL SHEETS	SHEET NO.
55	99-2HB-2B-1	WILL	756	435
FED. ROAD DIST. NO. 1 ILLINOIS FED. AID PROJECT			CONTRACT NO. 60F12	