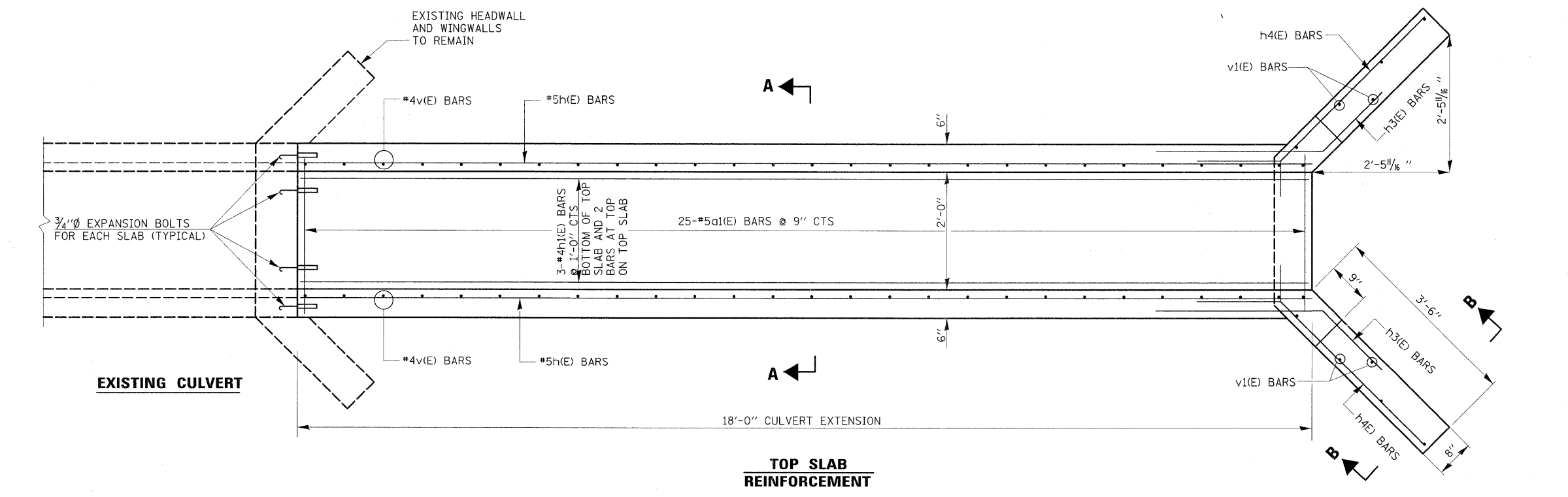
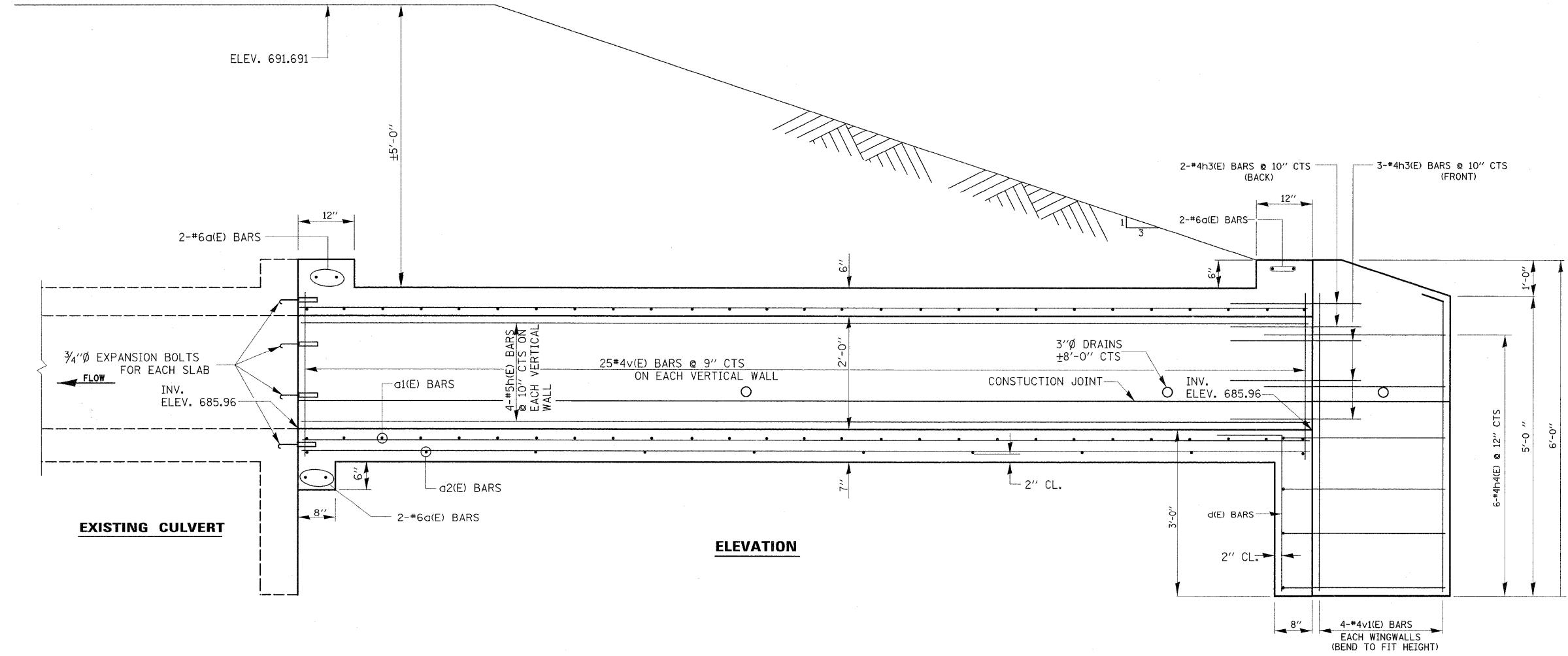


ROADWAY ELEV. 690.36

ELEV. 691.691



BILL OF MATERIALS

BAR	NO.	SIZE	LENGTH	SHAPE	
a(E)	6	#6	3'-9"	—	
a1(E)	57	#5	3'-8"	C	
a2(E)	10	#4	2'-3"	—	
d(E)	3	#4	4'-6"	Γ	
h(E)	8	#5	17'-9"	—	
h1(E)	5	#4	17'-9"	—	
h2(E)	6	#5	17'-9"	—	
h3(E)	10	#4	4'-0"	—	
h4(E)	12	#4	4'-3"	—	
v(E)	50	#4	2'-9"	—	
v1(E)	8	#4	5'-0"	—	
REINFORCEMENT BARS, EPOXY COATED				POUND	810
CONCRETE BOX CULVERT				CU.YD.	4.8
EXPANSION BOLTS 3/4 INCH				EACH	8

REINFORCEMENT BARS DESIGNATED (E) SHALL BE EPOXY COATED.

GENERAL NOTES:

REINFORCEMENT BARS SHALL CONFORM TO THE REQUIREMENTS OF AASHTO M-31 OR M-53, GRADE 60.
ALL CONSTRUCTION JOINTS SHALL BE BONDED.

TOTAL BILL OF MATERIALS

ITEM	UNIT	QUANTITY
REINFORCEMENT BARS, EPOXY COATED	POUND	810
CONCRETE BOX CULVERT	CU.YD.	4.8
EXPANSION BOLTS 3/4 INCH	EACH	8