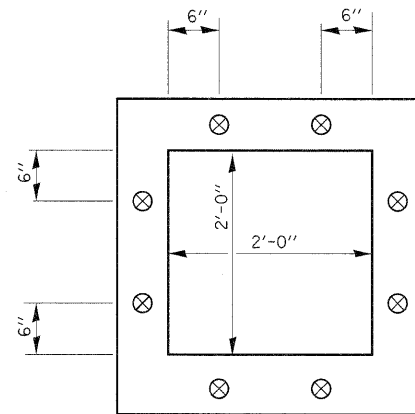
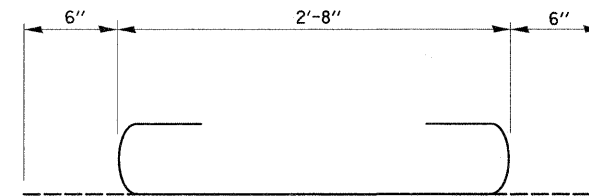


SECTION A-A

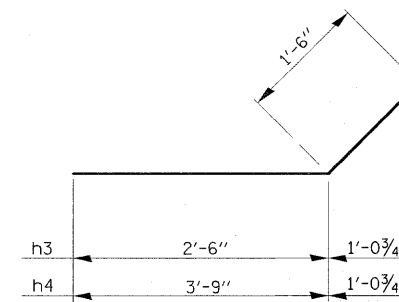


SECTION THRU BARREL
SHOWING EXPANSION BOLTS

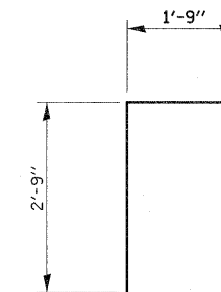
EXPANSIONS BOLTS SHALL CONSIST OF SELF DRILLING EXPANSION SHIELDS AND 3/4" Ø HOOKED BOLTS. HOOKED BOLTS SHALL EXTEND A MINIMUM OF 9" INTO NEW CONCRETE.



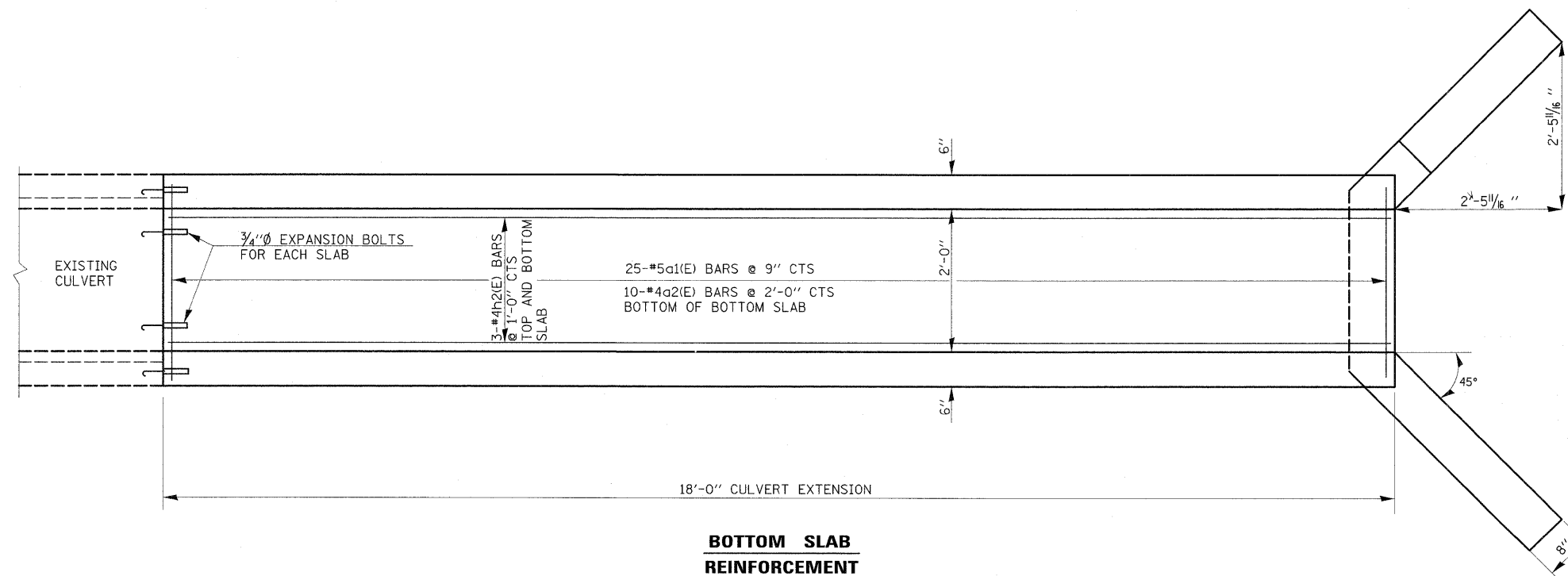
BAR a1(E)



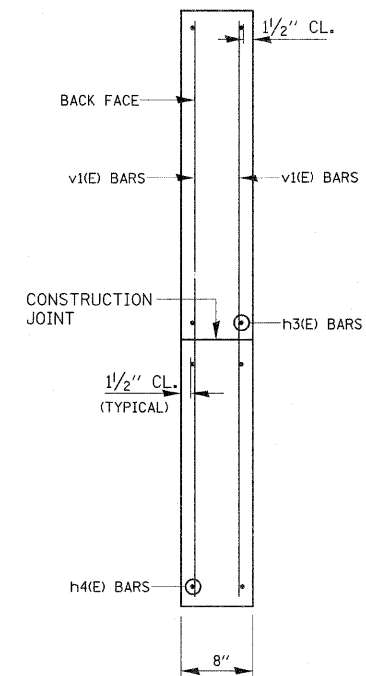
BAR h3 & h4



BAR d(E)



BOTTOM SLAB REINFORCEMENT



SECTION B-B

FILE NAME =	USER NAME = tnsakosmv	DESIGNED -	REVISED -	STATE OF ILLINOIS DEPARTMENT OF TRANSPORTATION	ILLINOIS ROUTE 137 AT O'PLAINE ROAD 2'-0" x 2'-0" BOX CULVERT EXTENSION	F.A.P. RTE.	SECTION	COUNTY	TOTAL SHEETS	SHEET NO.
c:\pwork\pwork\pwork\tnsakosmv\d0101671\111370P1a.rvt	DRAWN -	REVISED -	352			N/A	LAKE	50	16	
PLOT SCALE = 50.0000 / IN.	CHECKED -	REVISED -	CONTRACT NO. 60K19							
PLOT DATE = 2/8/2011	DATE -	REVISED -	ILLINOIS FED. AID PROJECT							
					SCALE:	SHEET NO. 2 OF 2 SHEETS		STA.	TO STA.	