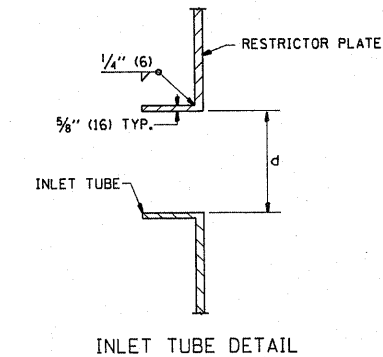
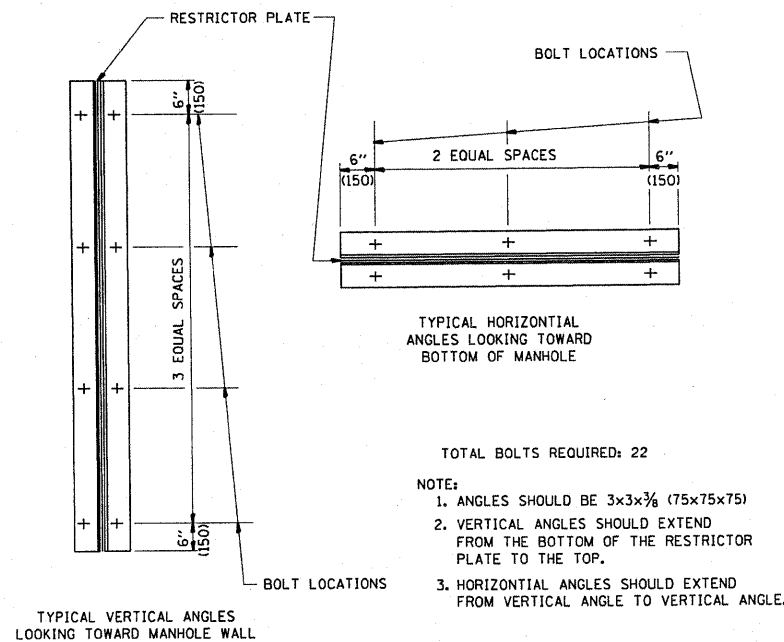


- NOTES:
1. ALL STEEL ANGLES AND PLATES TO BE GALVANIZED AFTER FABRICATION.
  2. ALL RESTRICTOR PLATES, ANGLES AND HARDWARE TO BE INCLUDED IN THE COST OF THE MANHOLE.
  3. BASIS OF PAYMENT: "MANHOLES, TYPE A, 6 FT. (1.8 m) DIAMETER, TYPE 1 FRAME, CLOSED LID, RESTRICTOR PLATE" EACH



STATION	MANHOLE DIAMETER	FRAME AND GRATE	RESTRICTOR TYPE	INSIDE RESTRICTOR TYPE DIAMETER In. (mm) (d)	INVERT OF RESTRICTOR TYPE	ELEVATION OF TOP OF PLATE OVERFLOW
STA. 111+02	6' DIA.	TYPE A, CL	2	8.2"	687.92	688.60



RESTRICTOR TYPE					
1	2	3	4	5	6
RE-ENTRANT TUBE	SHARP EDGED	SQUARE EDGED	RE-ENTRANT TUBE	SQUARE EDGED	ROUNDED
LENGTH: 1/2 TO 1 DIA.		STREAM CLEARS SIDES	LENGTH: 2-1/2 DIA.	LENGTH: 2-1/2 DIA.	
C=.52	C=.61	C=.61	C=.73	C=.82	C=.98

VALUES OF "C" FOR CIRCULAR AND SQUARE ORIFICES

ALL DIMENSIONS ARE IN INCHES (MILLIMETERS) UNLESS OTHERWISE SHOWN.

FILE NAME =	USER NAME = abebawa	DESIGNED - R. SHAH	REVISED - R. SHAH 10-25-94	<b>STATE OF ILLINOIS DEPARTMENT OF TRANSPORTATION</b>	<b>MANHOLE WITH RESTRICTOR PLATE</b>	F.A.P. RTE.	SECTION	COUNTY	TOTAL SHEETS	SHEET NO.	
ct:\pwork\pwork\abebawa\d0188337\PI42409-Design.dgn		DRAWN -	REVISED - E. GOMEZ 08-28-00			352	56N-4	LAKE	50	37	
PLOT SCALE = 100.0000' / IN.		CHECKED -	REVISED - M. GOMEZ 01-08-01			BD600-04	(BD-12)	CONTRACT NO. 60K19			
PLOT DATE = 2/23/2011		DATE - 09-09-94	REVISED -			FED. ROAD DIST. NO. 1	ILLINOIS FED. AID PROJECT				
SCALE: NONE		SHEET NO. 1 OF 1 SHEETS		STA. TO STA.							