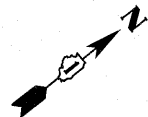


MIDLOTHIAN RD.

PROP. HOT-MIX ASPHALT SURFACE REMOVAL, 2 1/4"
 PROP. HOT-MIX ASPHALT SURFACE COURSE, MIX "D", N70, 1 1/2"
 PROP. POLYMERIZED LEVELING BINDER (MACHINE METHOD), IL-4.75, N50, 3/4"

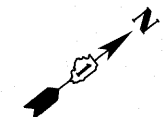
MATCHLINE STA. 163+00

MATCHLINE STA. 178+00



MATCHLINE STA. 178+00

MATCHLINE STA. 193+00

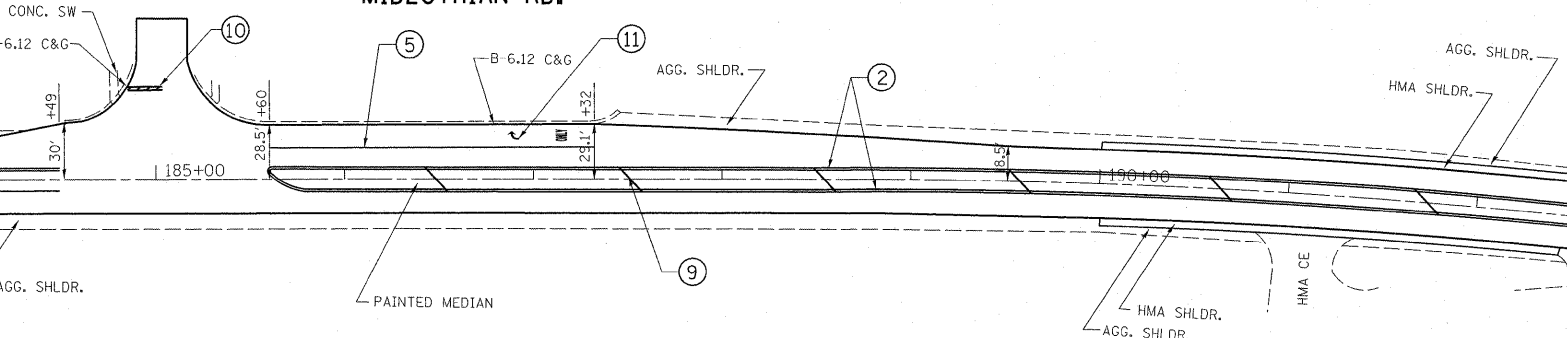


PROP. HOT-MIX ASPHALT SURFACE REMOVAL, 2 1/4"
 PROP. HOT-MIX ASPHALT SURFACE COURSE, MIX "D", N70, 1 1/2"
 PROP. POLYMERIZED LEVELING BINDER (MACHINE METHOD), IL-4.75, N50, 3/4"

WORTHAM DR.

MIDLOTHIAN RD.

- ① PROP. THERMOPLASTIC PVMT. MARKING 4", LINE, WHITE (TYP.)
- ② PROP. THERMOPLASTIC PVMT. MARKING 4", DOUBLE YELLOW (TYP.)
- ③ PROP. THERMOPLASTIC PVMT. MARKING 4", SKIP DASH, YELLOW (TYP.)
- ④ PROP. THERMOPLASTIC PVMT. MARKING 4", LINE, YELLOW (TYP.)
- ⑤ PROP. THERMOPLASTIC PVMT. MARKING 6", LINE, WHITE (TYP.)
- ⑥ PROP. THERMOPLASTIC PVMT. MARKING 6", SKIP DASH, WHITE (TYP.)
- ⑦ PROP. THERMOPLASTIC PVMT. MARKING 8", LINE, WHITE (TYP.)
- ⑧ PROP. THERMOPLASTIC PVMT. MARKING 12", BAR LINE, WHITE (TYP.)
- ⑨ PROP. THERMOPLASTIC PVMT. MARKING 12", DIAGONALS, YELLOW (TYP.)
- ⑩ PROP. THERMOPLASTIC PVMT. MARKING 24", STOP BAR, WHITE (TYP.)
- ⑪ PROP. THERMOPLASTIC PVMT. MARKING LETTERS & SYMBOLS, WHITE (TYP.)



FILE NAME =
 c:\pwwork\pwwork\mjd\jo\0208730\0152008-sht-plan.dgn

USER NAME = mjdjo
 PLOT SCALE = 50.0000' / IN.
 PLOT DATE = 3/16/2011

DESIGNED -
 DRAWN -
 CHECKED -
 DATE -

REVISED -
 REVISED -
 REVISED -
 REVISED -

STATE OF ILLINOIS
 DEPARTMENT OF TRANSPORTATION

ROADWAY & PAVEMENT MARKING PLAN
 MIDLOTHIAN RD. (IL. RTE. 176 - OLD McHENRY RD.)

SCALE: 1"=50' SHEET NO. OF SHEETS STA. TO STA.

F.A.U. RTE.	SECTION	COUNTY	TOTAL SHEETS	SHEET NO.
2605	48 RS-3	LAKE	27	11
CONTRACT NO. 60K51			ILLINOIS FED. AID PROJECT	