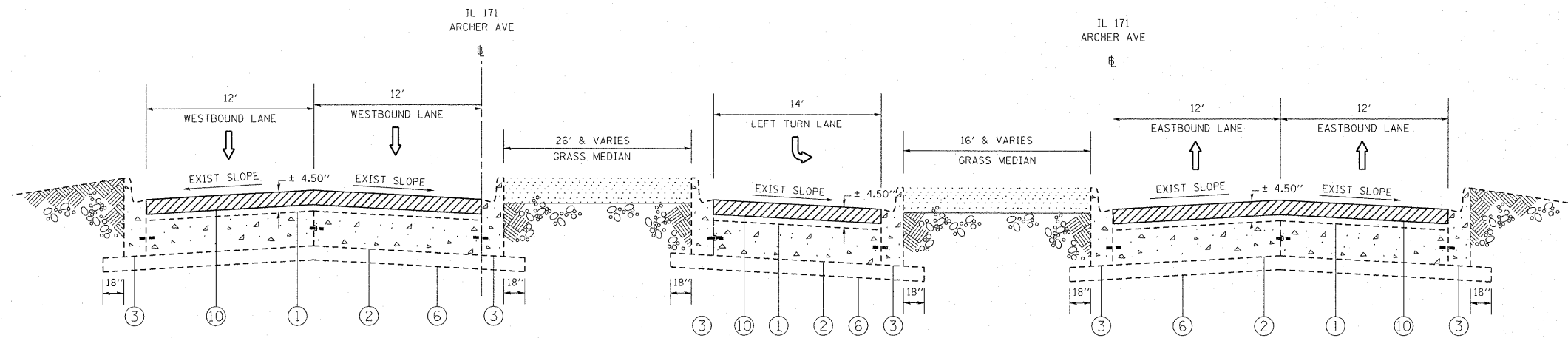


LEGEND

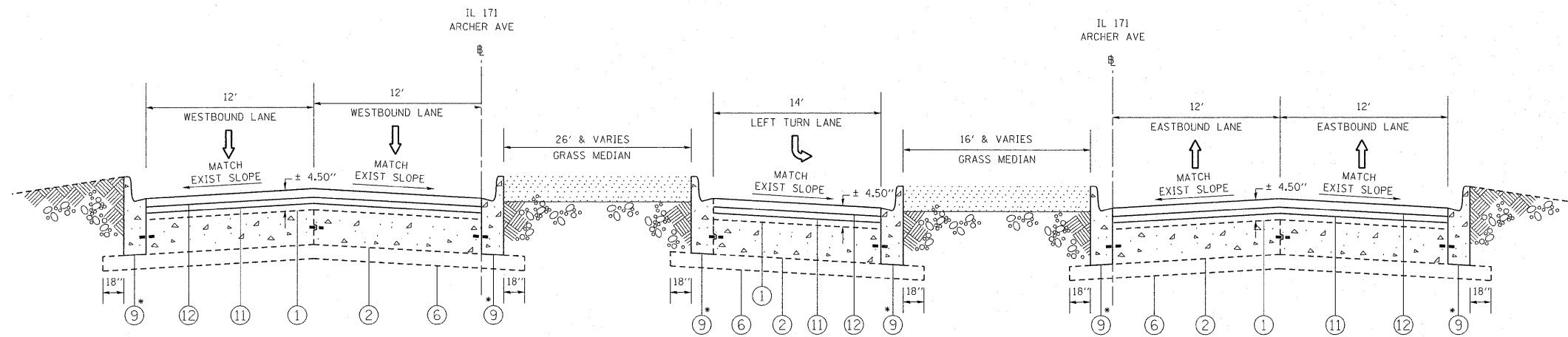
- ① EXISTING HMA SURFACING, ± 4.50"
- ② EXISTING P.C. CONCRETE BASE COURSE, ± 9.50"
- ③ EXISTING COMB. CONC. CURB & GUTTER, TYPE B-6.24
- ④ EXISTING COMB. CONC. CURB & GUTTER, TYPE M-4.24
- ⑤ EXISTING HMA SHOULDER
- ⑥ EXISTING SUB-BASE GRANULAR MATERIAL, TYPE B, 4"
- ⑦ EXISTING AGGREGATE SHOULDER, TYPE B
- ⑧ EXISTING CONCRETE MEDIAN
- ⑨ PROPOSED COMB. CONC. C&G REMOVAL AND REPLACEMENT
- ⑩ PROPOSED HMA SURFACE REMOVAL, 2-1/4"
- ⑪ PROPOSED POLYMERIZED LEVELING BINDER (MACHINE METHOD), IL-4.75, N50, 3/4"
- ⑫ PROPOSED HMA SURFACE COURSE, MIX "D", N70, 1-1/2"
- ⑬ PROPOSED AGGREGATE WEDGE SHOULDER, TYPE B
- ⑭ PROPOSED GRADING AND SHAPING OF SHOULDERS

NOTE:

- * LOCATIONS TO BE DETERMINED IN THE FIELD BY THE ENGINEER
- " THE CONTRACTOR SHALL MILL FIRST PRIOR TO PATCHING".



IL 171 (ARCHER AVE)
EXISTING TYPICAL SECTION
88TH AVE. INT. TO STA. 84+07
STATION EQUIVALENT:
STA. 85+00 (EB) = STA. 240.16 (WB)



IL 171 (ARCHER AVE)
PROPOSED TYPICAL SECTION
88TH AVE. INT. TO STA. 84+07
STATION EQUIVALENT:
STA. 85+00 (EB) = STA. 240.16 (WB)

FILE NAME =	USER NAME = galbanjr	DESIGNED -	REVISED -	STATE OF ILLINOIS DEPARTMENT OF TRANSPORTATION	IL 171 (ARCHER AVENUE) EXISTING AND PROPOSED TYPICAL SECTIONS				F.A.J. RTE. 3565	SECTION B-R-2-RS	COUNTY COOK	TOTAL SHEETS 37	SHEET NO. 7
es:\pw_work\pwsdot\galbanjr\d0194557\0152310-sht-plan.dgn		DRAWN -	REVISED -		SCALE: SHEET NO. OF SHEETS STA. TO STA.				CONTRACT NO. 60K54				
PLOT SCALE = 50.0000' / IN.		CHECKED -	REVISED -						ILLINOIS FED. AID PROJECT				
PLOT DATE = 2/12/2011		DATE -	REVISED -										