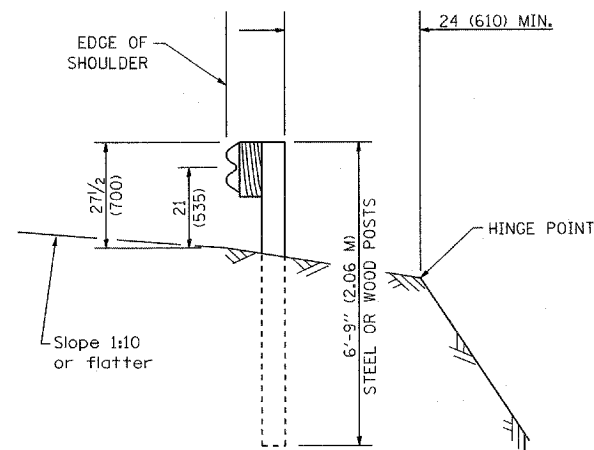


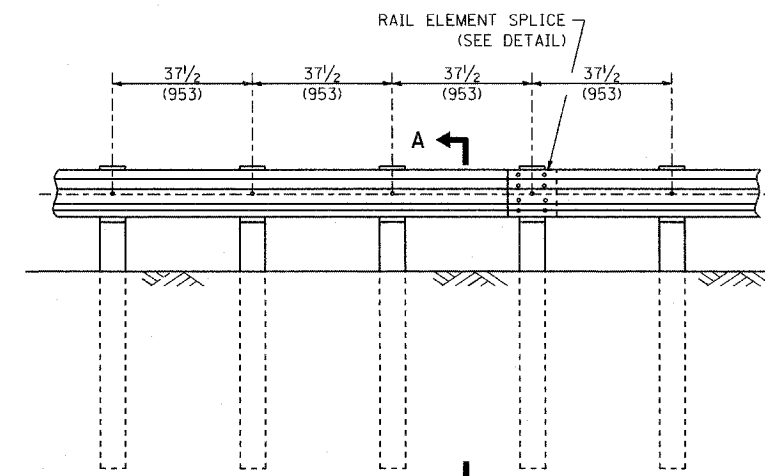
ELEVATION

TYPE A

6'-3" (1.905 M) TYPICAL POST SPACING



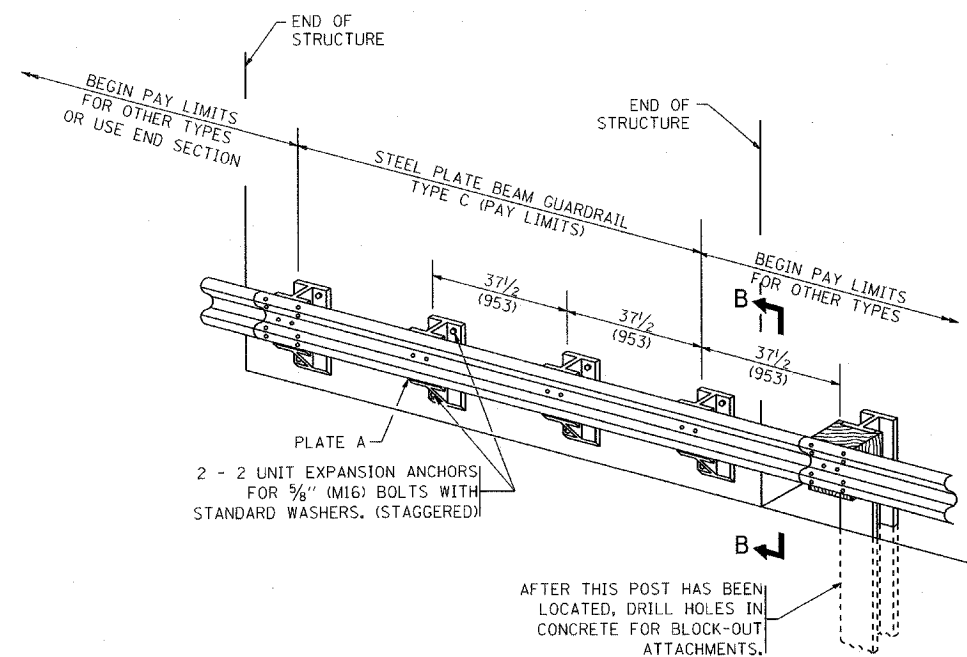
SECTION A-A



ELEVATION

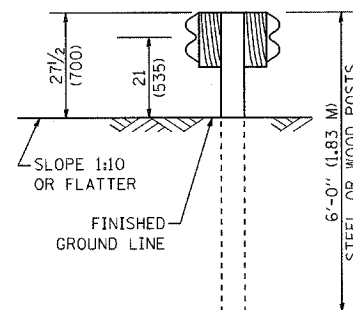
TYPE A

37 1/2 (953) CLOSED POST SPACING

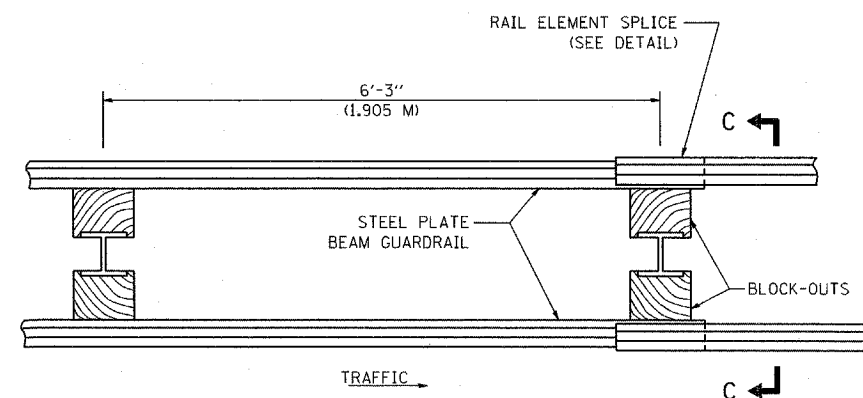


TYPE C

37 1/2 (953) BLOCK-OUT SPACING



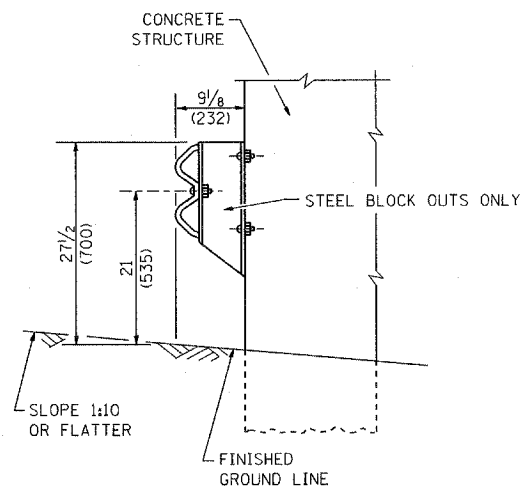
SECTION C-C



PLAN

TYPE D

DOUBLE STEEL PLATE BEAM GUARDRAIL
6'-3" (1.905 M) TYPICAL POST SPACING



SECTION B-B

GENERAL NOTES

ALL SLOPE RATIOS ARE EXPRESSED AS UNITS OF VERTICAL DISPLACEMENT TO UNITS OF HORIZONTAL DISPLACEMENT (V:H).

ALL DIMENSIONS ARE IN INCHES (MILLIMETERS) UNLESS OTHERWISE SHOWN.

THE EXISTING STEEL POSTS MAY BE DRILLED TO MATCH THE BOLT PATTERN SHOWN HEREIN FOR THE WOOD BLOCK-OUT, OR A NEW STEEL POST SHALL BE PROVIDED.

THIS DETAIL IS APPLICABLE TO THE GUARDRAIL SYSTEM USED PRIOR TO JANUARY 1, 2007. FOR DETAILS ON THE MIDWEST GUARDRAIL SYSTEM, SEE STANDARD 630001.

FILE NAME =	USER NAME = geglano
W:\d\ststd\22x34\bm21.dgn	
PLOT SCALE = 50.0000' / IN.	
PLOT DATE = 1/4/2008	

DESIGNED -	REVISIONS -
DRAWN -	10-31-06
CHECKED -	
DATE -	

REVISIONS -	10-31-06
REVISIONS -	
REVISIONS -	
REVISIONS -	

**STATE OF ILLINOIS
DEPARTMENT OF TRANSPORTATION**

**REMOVE AND REERECT
STEEL PLATE BEAM GUARDRAIL**

SCALE: NONE SHEET NO. 1 OF 4 SHEETS STA. TO STA.

F.A.P. RTE.	SECTION	COUNTY	TOTAL SHEETS	SHEET NO.
332	0312-708W-I	Cook	17	10
BM-21			CONTRACT NO. 60N81	
FED. ROAD DIST. NO. 1 ILLINOIS FED. AID PROJECT				