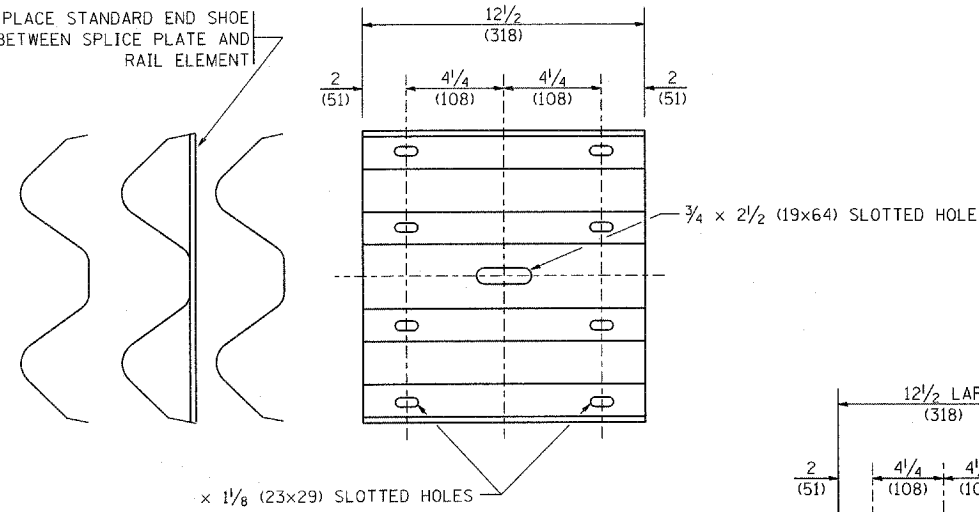
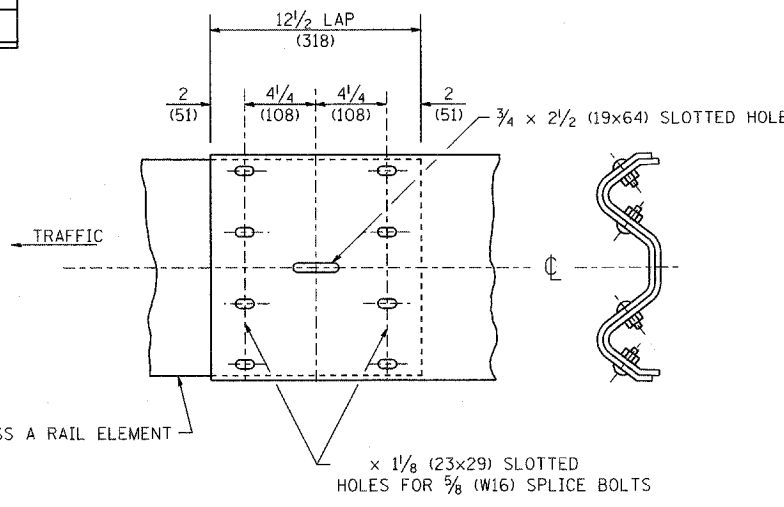


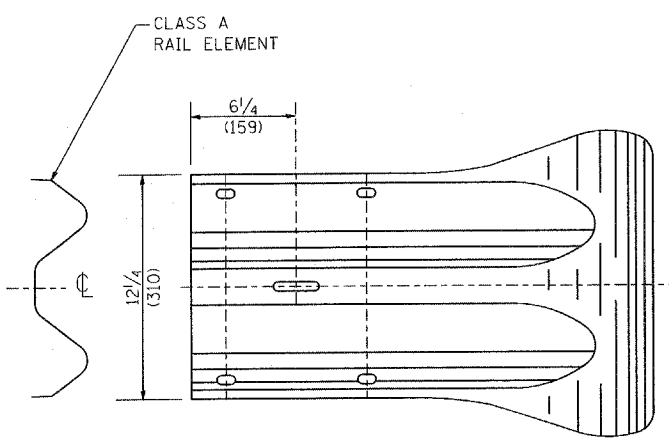
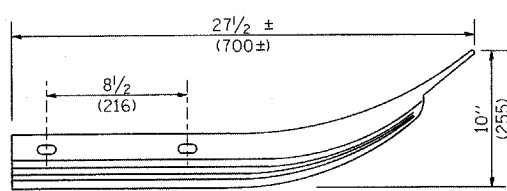
PLACE STANDARD END SHOE BETWEEN SPLICE PLATE AND RAIL ELEMENT



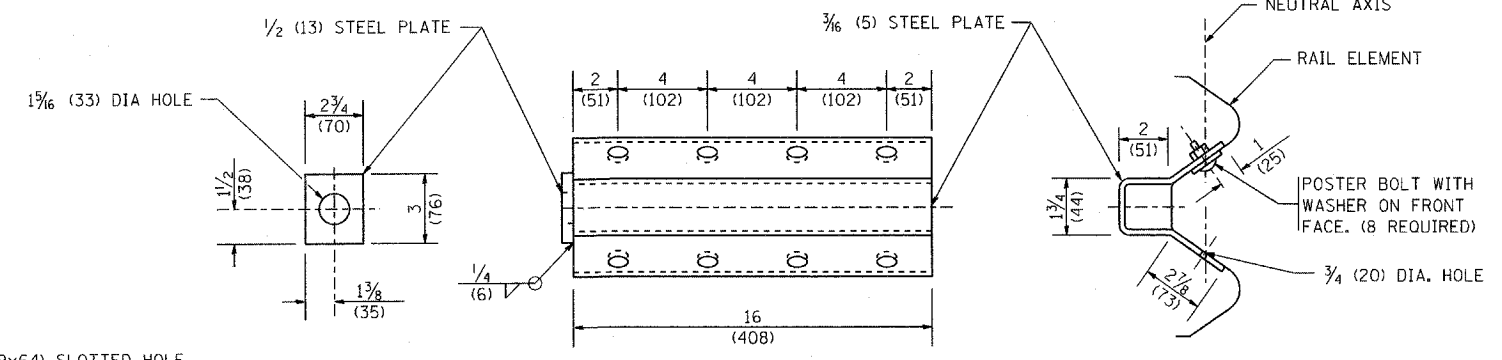
SPLICE PLATE



RAIL ELEMENT SPLICE



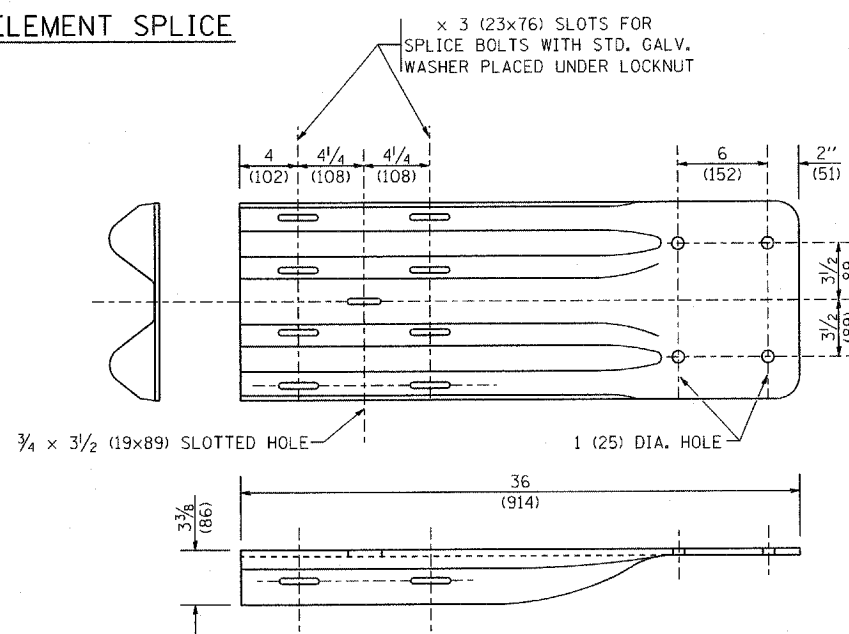
END SECTION



NOTE:

ANCHOR PLATE T SHALL BE USED TO ATTACH CABLE ASSEMBLY TO GUARDRAIL WHEN REQUIRED ON TRAFFIC BARRIER TERMINALS.

ANCHORE PLATE T DETAILS



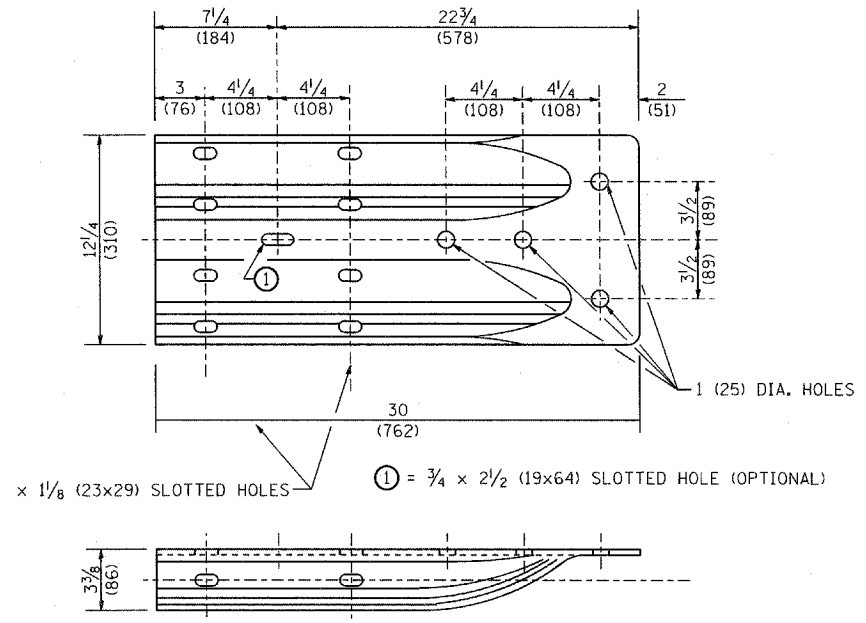
END SHOE

NOTE:

WHEN END SHOE IS ATTACHED TO A BRIDGE PARAPET WHICH HAS AN EXPANSION JOINT, THE BOLTS SHALL BE PROVIDED WITH A LOCKNUT OR DOUBLE NUT AND SHALL BE TIGHTENED ONLY TO A POINT THAT WILL ALLOW GUARDRAIL MOVEMENT.

THE STANDARD END SHOE SHALL BE ATTACHED TO THE CONCRETE WITH PRE-DRILLED OR SELF-DRILLING ANCHOR BOLTS. THE ANCHOR CONE SHALL BE SET FLUSH WITH THE SURFACE OF THE CONCRETE.

EXTERNALLY THREADED STUDS PROTRUDING FROM THE SURFACE OF THE CONCRETE WILL NOT BE PERMITTED.



ALTERNATE END SHOE

FILE NAME = W:\dststd\22x34\bm21.dgn	USER NAME = geglennob	DESIGNED -	REVISED - 10-31-06	STATE OF ILLINOIS DEPARTMENT OF TRANSPORTATION	REMOVE AND REERECT STEEL PLATE BEAM GUARDRAIL			F.A.B. RTE. 332	SECTION 0312-708W-1	COUNTY Cook	TOTAL SHEETS 17	SHEET NO. 12	
	PLOT SCALE = 50.0000' / IN.	DRAWN -	REVISED -		SCALE: NONE	SHEET NO. 3	OF 4 SHEETS	STA.	TO STA.	BM-21			CONTRACT NO. 60N81
	PLOT DATE = 1/4/2008	CHECKED -	REVISED -					FED. ROAD DIST. NO. 1 ILLINOIS FED. AID PROJECT					
		DATE -	REVISED -										