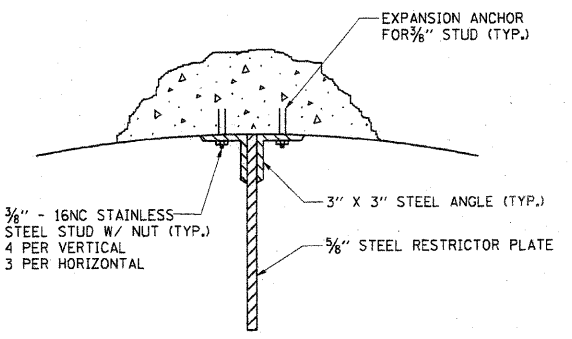
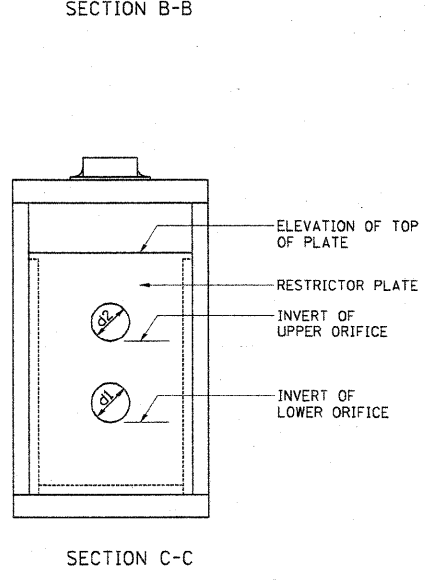
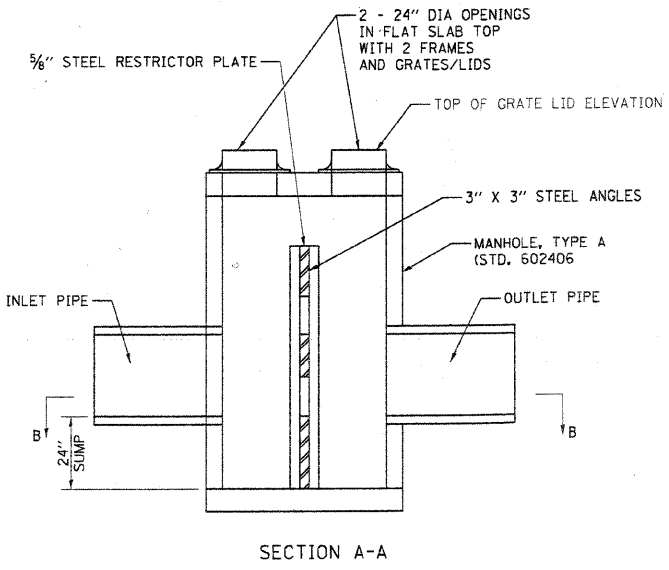
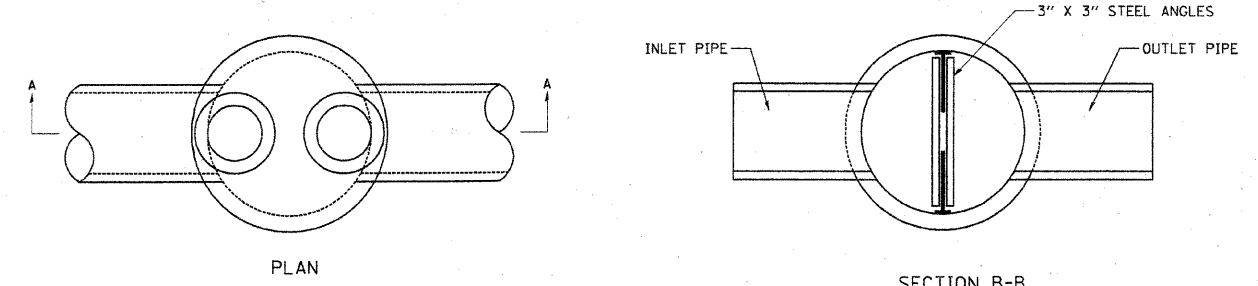


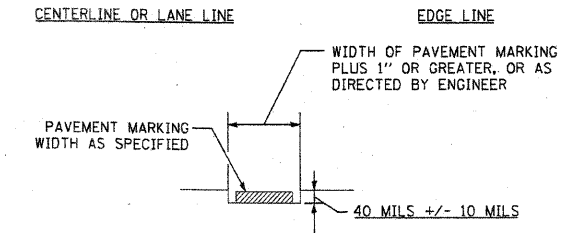
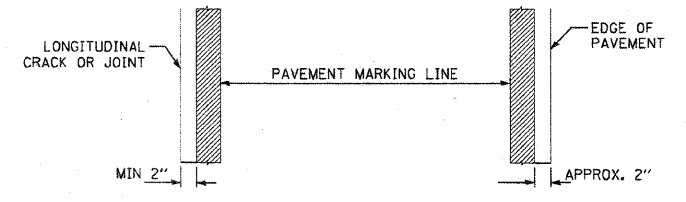
SPECIALTY ITEM	SUMMARY OF QUANTITIES				CONSTRUCTION TYPE CODES									
	ITEM #	PAY ITEM DESCRIPTION	UNIT	TOTAL QUANTITY	STP	STP	STP	STP	STP	CMAQ	STP	ITEP	TRAINEE	NON-PARTICIPATING WORK
					ROADWAY	HIGHWAY LIGHTING	ORCHARD RD. @AUCUTT RD	ORCHARD RD. @ ROCHESTER DR	US ROUTE 30	SIGNAL SYSTEM	LANDSCAPING	BIKE PATH		
	550A0450	STORM SEWERS, CLASS A, TYPE 2 36"	FOOT	699	699									
	550A0470	STORM SEWERS, CLASS A, TYPE 2 42"	FOOT	435	435									
	550A2320	STORM SEWERS, RUBBER GASKET, CLASS A, TYPE 1 12"	FOOT	217	217									
	550A2330	STORM SEWERS, RUBBER GASKET, CLASS A, TYPE 1 15"	FOOT	30	30									
	550A2530	STORM SEWERS, RUBBER GASKET, CLASS A, TYPE 2 15"	FOOT	32	32									
	550A2550	STORM SEWERS, RUBBER GASKET, CLASS A, TYPE 2 21"	FOOT	101	101									
	550A2560	STORM SEWERS, RUBBER GASKET, CLASS A, TYPE 2 24"	FOOT	120	120									
	550A2570	STORM SEWERS, RUBBER GASKET, CLASS A, TYPE 2 27"	FOOT	13	13									
*	56400300	FIRE HYDRANTS TO BE ADJUSTED	EACH	11										11
	60109510	PIPE UNDERDRAINS, 4"	FOOT	1,832	1,832									
	60200805	CATCH BASINS, TYPE A, 4'-DIAMETER, TYPE 8 GRATE	EACH	21	21									
	60201340	CATCH BASINS, TYPE A, 4'-DIAMETER, TYPE 24 FRAME AND GRATE	EACH	35	35									
	60205040	CATCH BASINS, TYPE A, 5'-DIAMETER, TYPE 24 FRAME AND GRATE	EACH	2	2									
	60218400	MANHOLES, TYPE A, 4'-DIAMETER, TYPE 1 FRAME, CLOSED LID	EACH	11	11									
	60221100	MANHOLES, TYPE A, 5'-DIAMETER, TYPE 1 FRAME, CLOSED LID	EACH	19	19									
Δ	60221102	MANHOLES, TYPE A, 5'-DIAMETER, TYPE 1 FRAME, CLOSED LID, RESTRICTOR PLATE	EACH	2	2									
	60237470	INLETS, TYPE A, TYPE 24 FRAME AND GRATE	EACH	25	25									
	60255500	MANHOLES TO BE ADJUSTED	EACH	20	20									
	60265700	VALVE VAULTS TO BE ADJUSTED	EACH	8										8
	60600095	CLASS SI CONCRETE (OUTLET)	CU YD	18.4	18.4									
	60603800	COMBINATION CONCRETE CURB AND GUTTER, TYPE B-6.12	FOOT	698	698									
	60605000	COMBINATION CONCRETE CURB AND GUTTER, TYPE B-6.24	FOOT	20,830	20,830									
	60608300	COMBINATION CONCRETE CURB AND GUTTER, TYPE M-2.12	FOOT	122	122									
	60620000	CONCRETE MEDIAN, TYPE SB-6.24	SQ FT	8,812	8,812									
	67000400	ENGINEER'S FIELD OFFICE, TYPE A	CAL MO	15	15									
	67100100	MOBILIZATION	L SUM	1	1									
	70106800	CHANGEABLE MESSAGE SIGNS	CAL MO	36	36									
	70300100	SHORT-TERM PAVEMENT MARKING	FOOT	1,350	1,350									
	70300210	TEMPORARY PAVEMENT MARKING, LETTERS AND SYMBOLS	SQ FT	73	73									
	70300220	TEMPORARY PAVEMENT MARKING LINE 4"	FOOT	23,148	23,148									
	70300240	TEMPORARY PAVEMENT MARKING LINE 6"	FOOT	418	418									
	70300260	TEMPORARY PAVEMENT MARKING LINE 12"	FOOT	379	379									
	70300510	PAVEMENT MARKING TAPE, TYPE III - LETTERS AND SYMBOLS	SQ FT	400	400									
	70300520	PAVEMENT MARKING TAPE, TYPE III 4"	FOOT	58,971	58,971									
	70300540	PAVEMENT MARKING TAPE, TYPE III 6"	FOOT	2,887	2,887									
	70300560	PAVEMENT MARKING TAPE, TYPE III 12"	FOOT	497	497									
	70301000	WORK ZONE PAVEMENT MARKING REMOVAL	SQ FT	14,171	14,171									
	70400100	TEMPORARY CONCRETE BARRIER	FOOT	1,475	1,475									
	70400200	RELOCATE TEMPORARY CONCRETE BARRIER	FOOT	1,475	1,475									
*	78300200	RAISED REFLECTIVE PAVEMENT MARKER REMOVAL	EACH	271	271									
*	80400100	ELECTRIC SERVICE INSTALLATION	EACH	1			1							
*	80400200	ELECTRIC UTILITY SERVICE CONNECTION	L SUM	1			1							
*	81000600	CONDUIT IN TRENCH, 2" DIA., GALVANIZED STEEL	FOOT	7,951				791	551	6,609				
*	81000700	CONDUIT IN TRENCH, 2 1/2" DIA., GALVANIZED STEEL	FOOT	377			200	56	109			12		
*	81000800	CONDUIT IN TRENCH, 3" DIA., GALVANIZED STEEL	FOOT	80				38	42					

SPECIALTY ITEM	ITEM #	PAY ITEM DESCRIPTION	UNIT	TOTAL QUANTITY	CONSTRUCTION TYPE CODES										NON-PARTICIPATING WORK
					STP ROADWAY	STP HIGHWAY LIGHTING	STP ORCHARD RD. @AUCUTT RD	STP ORCHARD RD. @ ROCHESTER DR	STP US ROUTE 30	CMAQ SIGNAL SYSTEM	STP LANDSCAPING	ITEP BIKE PATH	TRAINEEES		
					0003	0021	0021	0021	0021	0021	0031	0028	0042		
*	87300925	ELECTRIC CABLE IN CONDUIT, TRACER, NO. 14 1C	FOOT	8,863							8,863				
	Z0054517	ROCK FILL - FOUNDATION	TON	2,240	2,240										
	Z0062456	TEMPORARY PAVEMENT	SQ YD	5,500	5,500										
	X0327241	STEEL CASING PIPE IN TRENCH, 24"	FOOT	40	40										
*	Z0073510	TEMPORARY TRAFFIC SIGNAL TIMING	EACH	4							4				
	Z0076600	TRAINEES	HOUR	1,500										1,500	
*	66900205	SPECIAL WASTE DISPOSAL	CU YD	150	150										
*	66900450	SPECIAL WASTE PLANS AND REPORTS	L sum	1	1										
*	66900530	SPECIAL WASTE ANALYSIS	EACH	1	1										



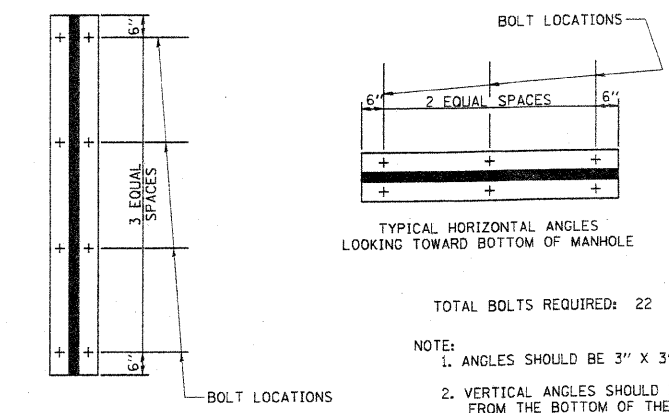


- NOTE:
1. ALL STEEL ANGLES AND PLATES TO BE GALVANIZED AFTER FABRICATION.
 2. ALL RESTRICTOR PLATES, ANGLES AND HARDWARE TO BE INCLUDED IN THE COST OF THE MANHOLE.
 3. BASIS OF PAYMENT: "MANHOLES, TYPE A, 6 FT. DIAMETER, TYPE 1 FRAME, CLOSED LID, RESTRICTOR PLATE" EACH

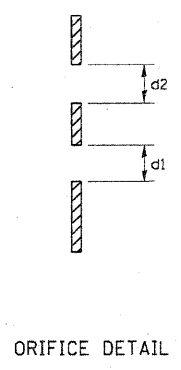


GROOVE INSTALLATION - 15 MIL POLYUREA THICKNESS
FOR 20 MIL APPLICATION USE 45 MILS +/- 10 MILS

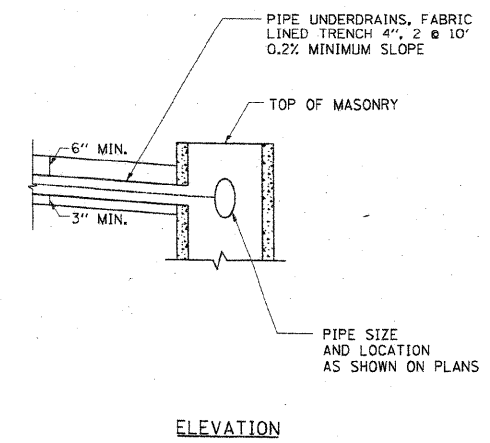
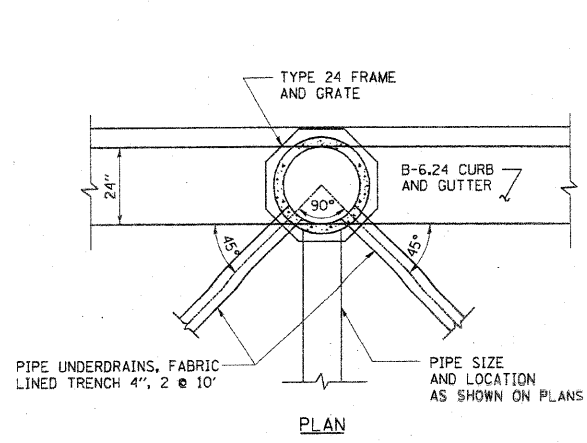
- GENERAL NOTES:
1. UNLESS OTHERWISE ALLOWED BY THE ENGINEER, WAIT 10 DAYS OR LONGER TO GRIND A GROOVE INTO NEW ASPHALT PAVEMENT TO AVOID DAMAGE TO THE NEW PAVEMENT BY THE GROOVING AND CLEANING OPERATION.
 2. PAVEMENT MARKINGS SHALL CONFORM WITH IDOT HIGHWAY STANDARD 780001-01 (OR LATEST) UNLESS OTHERWISE DIRECTED BY THE ENGINEER OR DETAILS ON THE SHEET.



- TOTAL BOLTS REQUIRED: 22
- NOTE:
1. ANGLES SHOULD BE 3" X 3" X 3/8"
 2. VERTICAL ANGLES SHOULD EXTEND FROM THE BOTTOM OF THE RESTRICTOR PLATE TO THE TOP.
 3. HORIZONTAL ANGLES SHOULD EXTEND FROM VERTICAL ANGLE TO VERTICAL ANGLE.



TOTAL BOLTS REQUIRED: 22



BASIN LOCATION	MANHOLE DIAMETER	FRAME AND GRATE	LOWER ORIFICE DIA. d1 (INCHES)	UPPER ORIFICE DIA. d2 (INCHES)	INVERT OF LOWER ORIFICE	INVERT OF UPPER ORIFICE	ELEVATION OF TOP OF PLATE OVERFLOW
COUNTRYSIDE	5'	TY 1 - OL	3.0	3.5	656.50	658.00	661.50
JERICHO	5'	TY 1 - OL	4.9	10.2	659.50	662.35	664.00