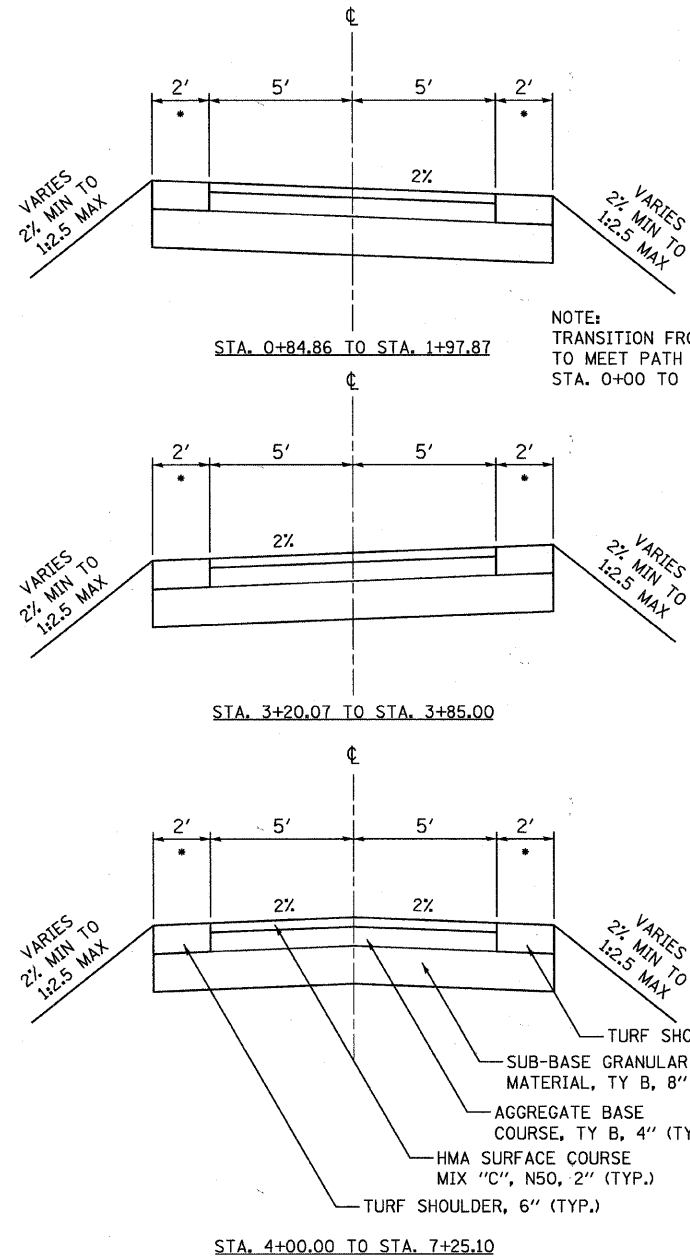


SUMMARY OF QUANTITIES

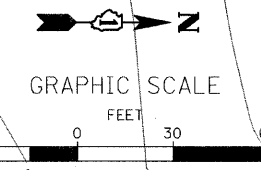
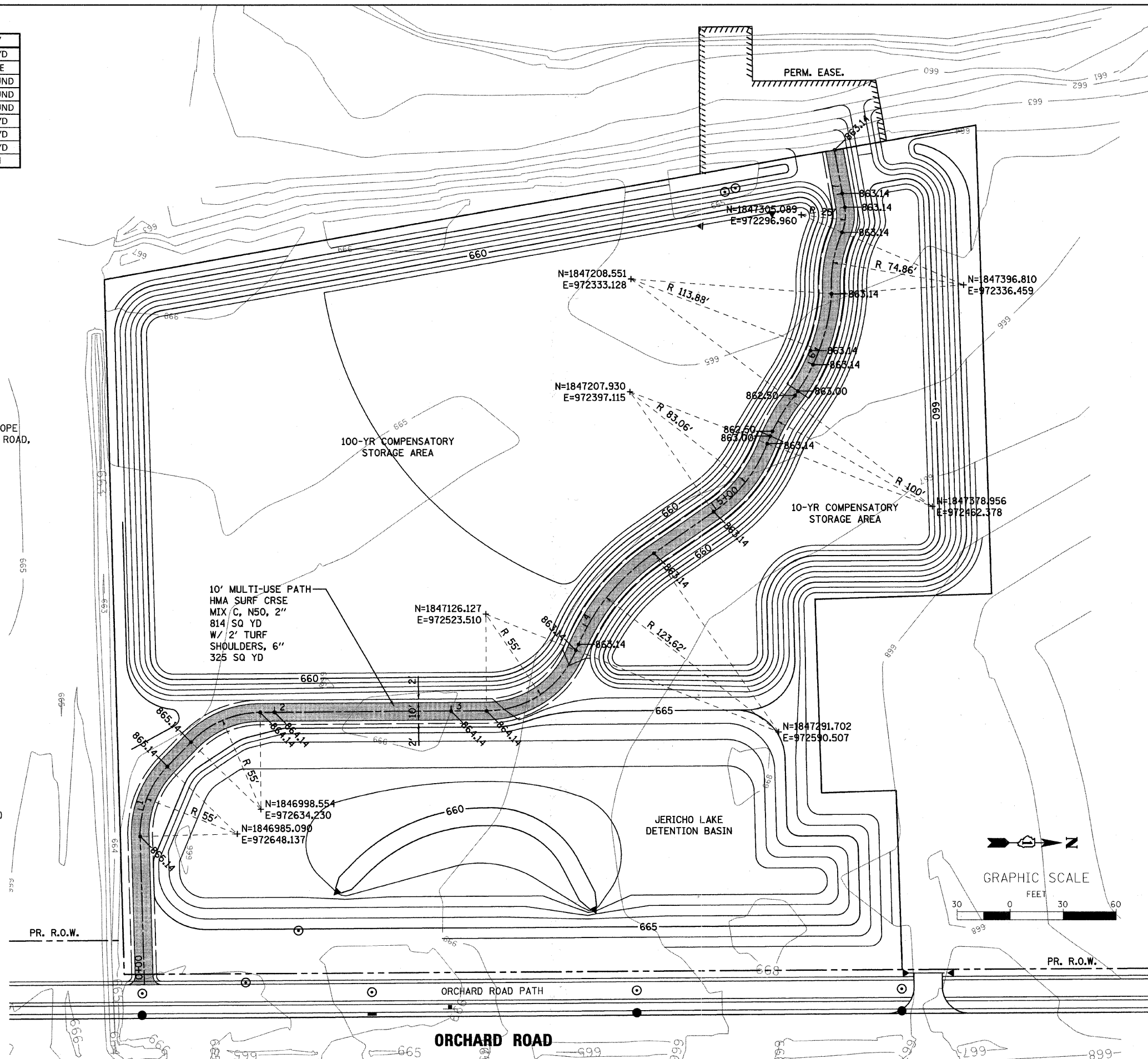
ITEM NO.	DESCRIPTION	LOCATION	LENGTH (FT)	WIDTH (FT)	QUANTITY
21101625	TOPSOIL FURNISH AND PLACE, 6"	0+00.00 TO 7+25.10	725.10	4	322 SQ YD
25000210	SEEDING, CLASS 2A	0+00.00 TO 7+25.10	725.10	4	0.07 ARCE
25000400	NITROGEN FERT NUTRIENT	0+00.00 TO 7+25.10	725.10	4	4 POUND
25000500	PHOSPHORUS FERT NUTRIENT	0+00.00 TO 7+25.10	725.10	4	4 POUND
25000600	POTASSIUM FERT NUTRIENT	0+00.00 TO 7+25.10	725.10	4	4 POUND
25100630	EROSION CONTROL BLANKET	0+00.00 TO 7+25.10	725.10	4	322 SQ YD
31101600	SUB-BASE GRAN MATL, TY B, 8"	0+00.00 TO 7+25.10	725.10	14	1128 SQ YD
35101600	AGG BASE CRSE, TY B, 4"	0+00.00 TO 7+25.10	725.10	10	806 SQ YD
40603310	HMA SURF CRSE, MIX C, N50, 2"	0+00.00 TO 7+25.10	725.10	10	93 TON



NOTE:
TRANSITION FROM 2% CROSS SLOPE TO MEET PATH ALONG ORCHARD ROAD, STA. 0+00 TO STA. 0+97.07

MULTI-USE PATH TYPICAL SECTIONS

* TURF SHOULDRS SHALL INCLUDE THE FOLLOWING:
TOPSOIL FURNISH AND PLACE, 6"
SEEDING, CLASS 2A W/ FERTILIZATION
EROSION CONTROL BLANKET



FILE NAME = P:\CBBEL WEST Projects\2002-02-09\17\Civil\Design\Multi-use Path\Plan\Plan_Sht.dgn

WILLS BURKE KELSEY ASSOCIATES LTD.
116 West Main Street, Suite 201
St. Charles, Illinois 60174

USER NAME = nporris	DESIGNED -	REVISED -
PLOT SCALE =	DRAWN -	REVISED -
PLOT DATE = 3/18/2011	CHECKED -	REVISED -
	DATE -	REVISED -

**STATE OF ILLINOIS
DEPARTMENT OF TRANSPORTATION**

PROPOSED MULTI-USE PATH ORCHARD ROAD PONDS			
SCALE: 1"=30'	SHEET NO. OF SHEETS	STA. TO STA.	

F.A.P. RTE. 336	SECTION 99-00232-WR	COUNTY KANE	TOTAL SHEETS 215	SHEET NO. 60A
FED. ROAD DIST. NO.		ILLINOIS FED. AID PROJECT		