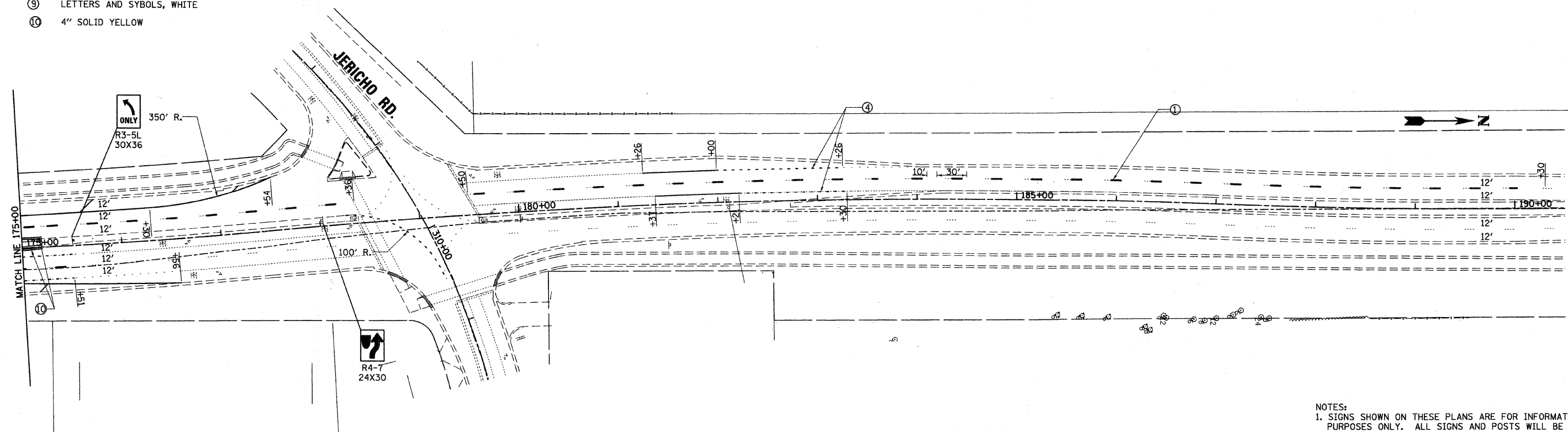


PAVEMENT MARKING LEGEND

- ① LINE 4", SKIP-DASH WHITE (30' SKIP, 10' DASH)
- ② LINE 4", DOUBLE YELLOW, 11" C-C
- ③ LINE 4", SOLID WHITE
- ④ LINE 6", DASHED WHITE (6' SKIP, 2' DASH)
- ⑤ LINE 6", SOLID WHITE
- ⑥ LINE 12", SOLID YELLOW, 75' C-C
- ⑦ LINE 12", SOLID WHITE, 150' C-C
- ⑧ LINE 24", SOLID WHITE
- ⑨ LETTERS AND SYBOLS, WHITE
- ⑩ 4" SOLID YELLOW



NOTES:
 1. SIGNS SHOWN ON THESE PLANS ARE FOR INFORMATIONAL PURPOSES ONLY. ALL SIGNS AND POSTS WILL BE FURNISHED AND INSTALLED BY THE KANE COUNTY DOT.
 2. ALL PAVEMENT MARKINGS ON THIS SHEET REPRESENT URETHANE PAVEMENT MARKING.

49,9999 / IN.
 12/17/2010
 R:\11177782\CAD\Sheets\177782_PavMark_83.dgn



200 West Front Street
 Wheaton, IL 60187

DESIGNED - MK	REVISED -
DRAWN - DW	REVISED -
CHECKED - MH	REVISED -
DATE - 12/20/2010	REVISED -

**KANE COUNTY
 DIVISION OF TRANSPORTATION
 ORCHARD ROAD RECONSTRUCTION**

SIGNING AND PAVEMENT MARKING PLAN

SCALE: 1" = 50' SHEET NO. 3 OF 4 SHEETS STA. 160+00.00 TO STA. 190+00.00

F.A.P. RTE. 336	SECTION 99-00232-01-WR	COUNTY KANE	TOTAL SHEETS 215	SHEET NO. 86
				CONTRACT NO. 63541
ILLINOIS FED. AID PROJECT				