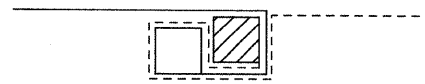


Place end-post (stake) of first silt fence adjacent to end-post (stake) of second silt fence with fabric positioned as shown.

STEP 1

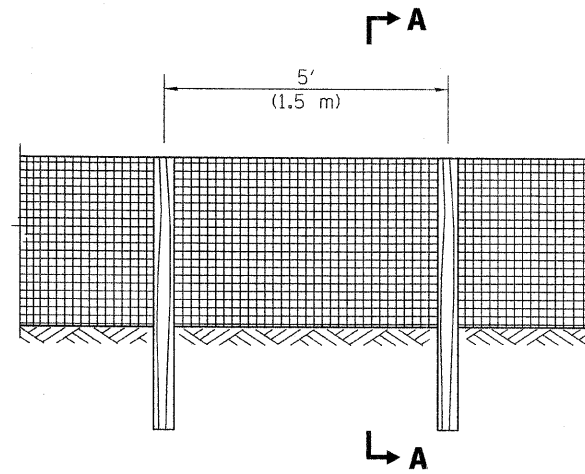


Rotate posts (stakes) together 180° clockwise and drive both posts (stakes) 18 (450) into ground.

STEP 2

ATTACHING TWO SILT FILTER FENCES

(Not applicable for J-hooks)

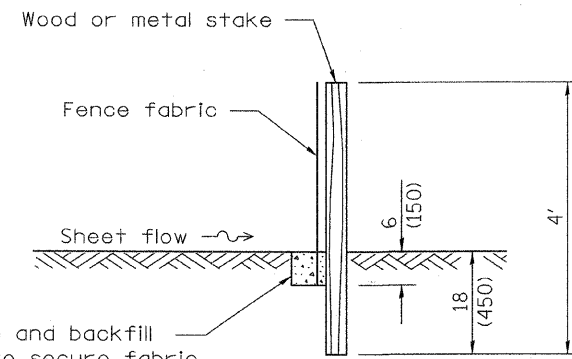


ELEVATION

GENERAL NOTES

The installation details and dimensions shown for perimeter erosion barriers shall also apply for inlet and pipe protection.

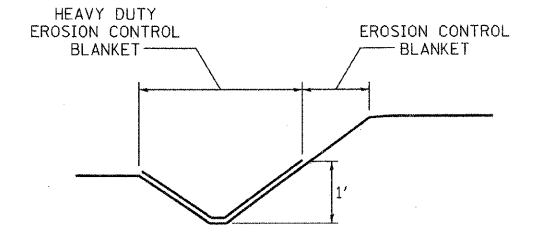
All dimensions are in inches (millimeters) unless otherwise shown.



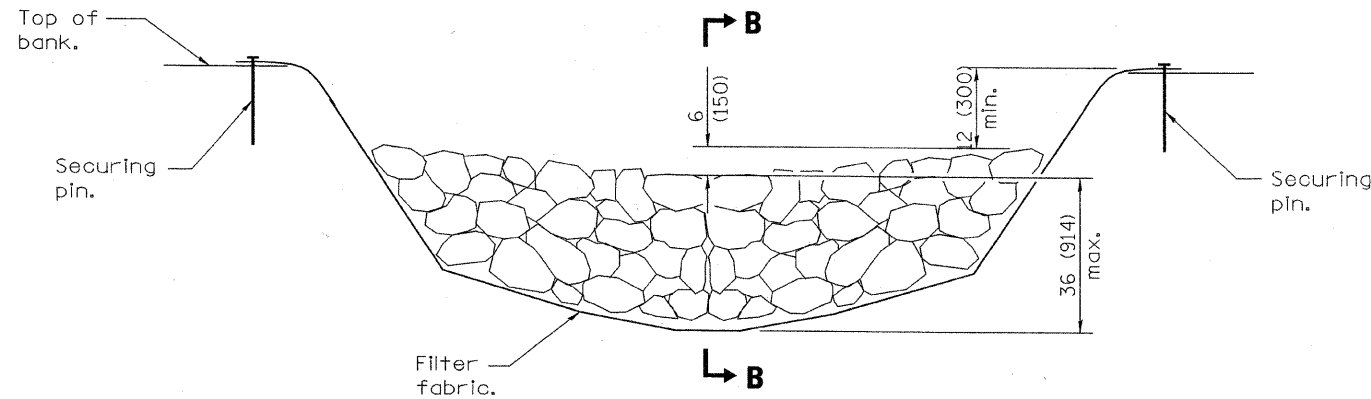
Excavate and backfill trench to secure fabric when not machine-sliced.

SECTION A-A

SILT FILTER FENCE AS A PERIMETER EROSION BARRIER

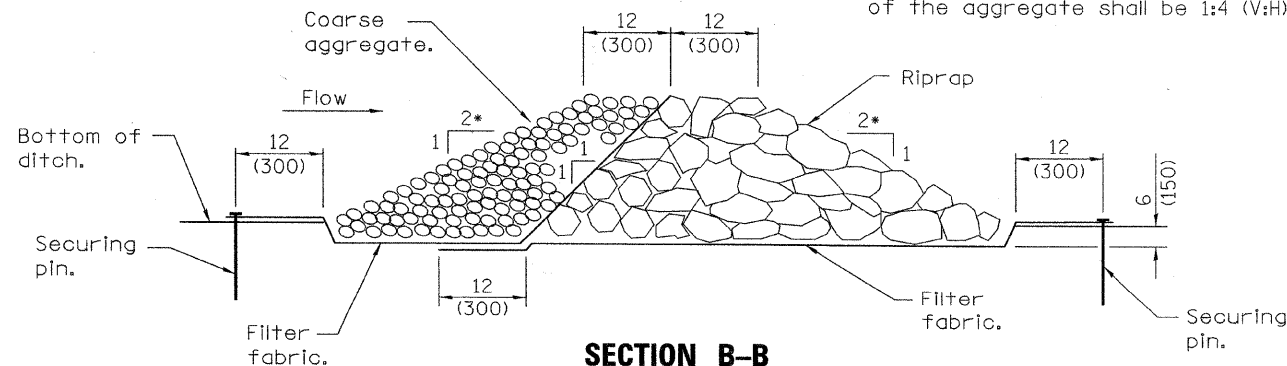


TYPICAL APPLICATION OF HEAVY DUTY EROSION CONTROL BLANKET



ELEVATION

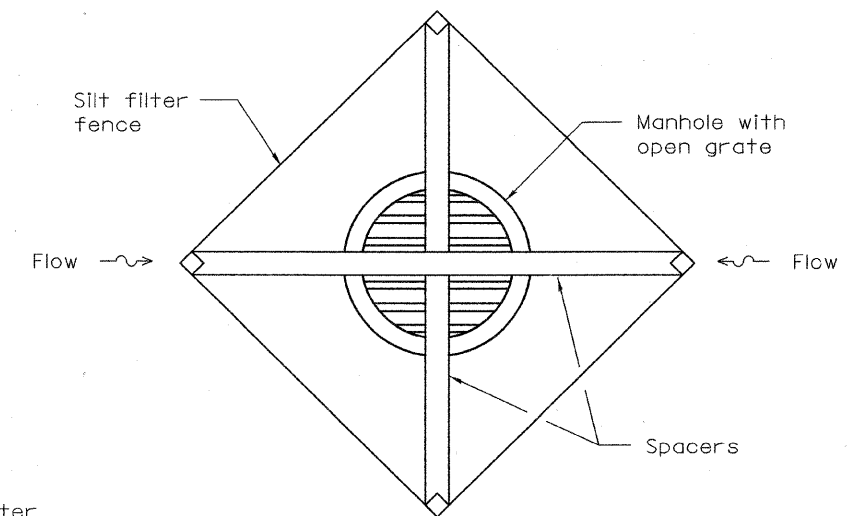
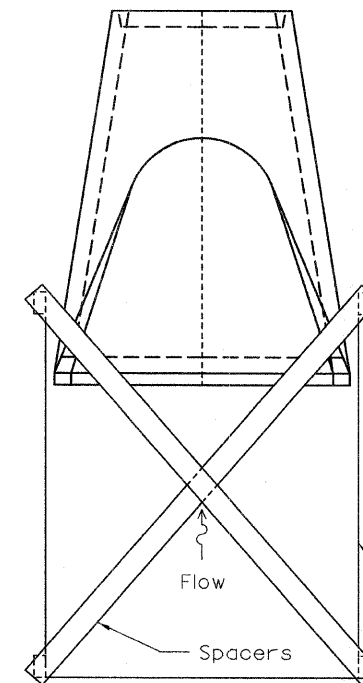
* When the ditch check is within the clear zone and the road is open to traffic, the traffic approach slope of the aggregate shall be 1:4 (V:H).



SECTION B-B

AGGREGATE DITCH CHECK

All dimensions are in inches (millimeters) unless otherwise shown.



INLET AND PIPE PROTECTION