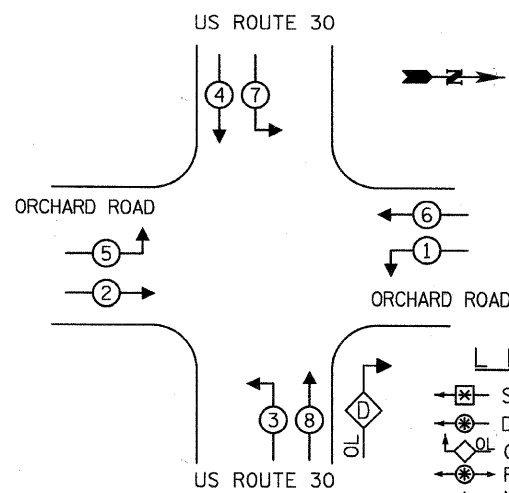


**CONTROLLER SEQUENCE**



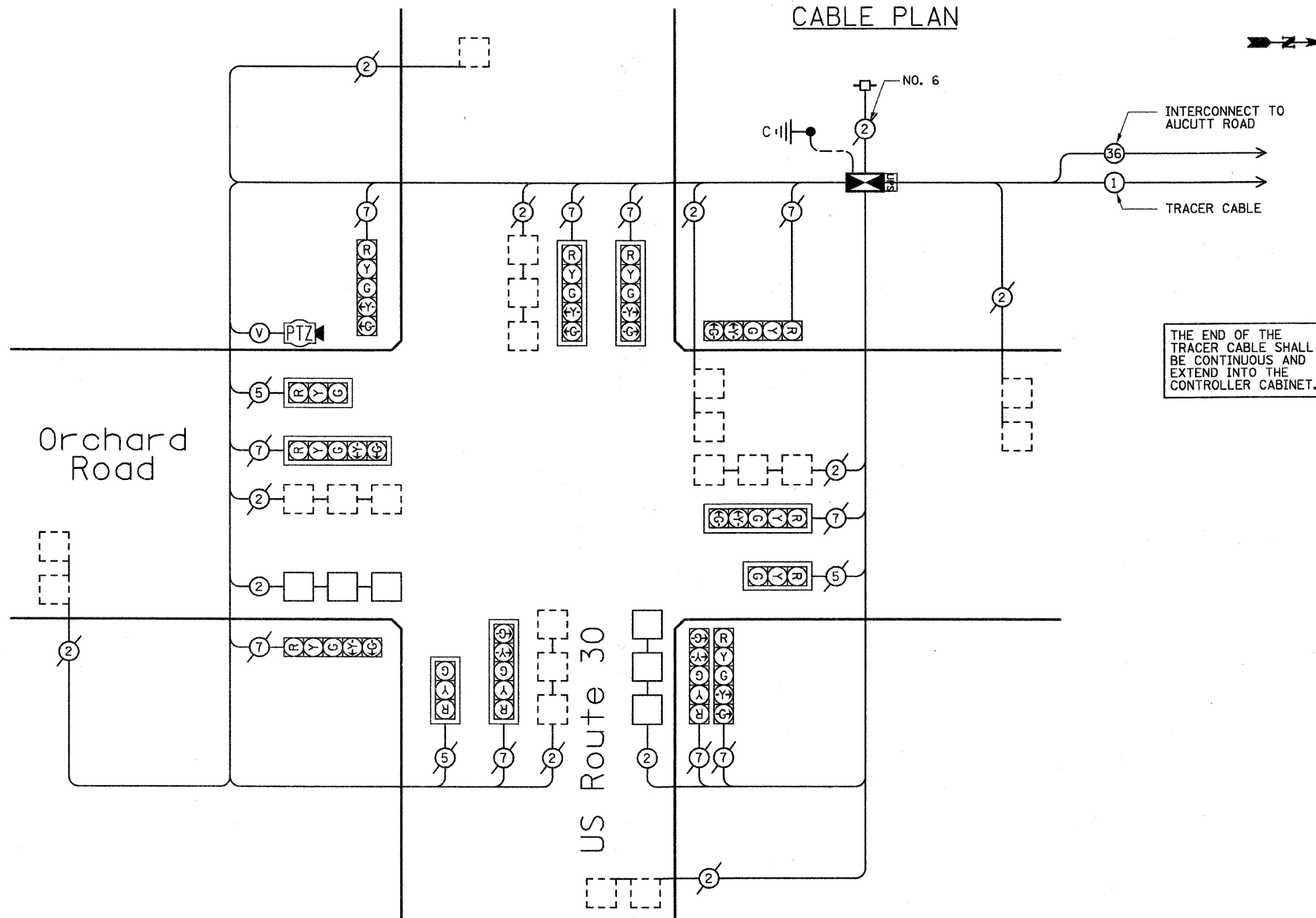
- LEGEND**
- SINGLE ENTRY PHASE
  - DUAL ENTRY PHASE
  - OVERLAP
  - PEDESTRIAN PHASE
  - \* NUMBER REFERS TO ASSOCIATED PHASE.

PHASE DESIGNATION DIAGRAM

**RIGHT TURN OVERLAP PHASE DESIGNATION**

OVERLAP LETTER	PERMISSIVE PHASE	PROTECTED PHASE
D	= 8	+ 1

**CABLE PLAN**



**SCHEDULE OF QUANTITIES**

- 1 EACH FULL-ACTUATED CONTROLLER AND TYPE IV CABINET
- 1 EACH UNINTERRUPTIBLE POWER SUPPLY, STANDARD
- 2,144 FOOT ELECTRIC CABLE IN CONDUIT, LEAD-IN, NO. 14, 1PR
- 8 EACH DRILL EXISTING HEAVY DUTY HANDHOLE
- 2 EACH INDUCTIVE LOOP DETECTOR
- 1 EACH REMOVE EXISTING TRAFFIC CONTROLLER AND CABINET
- 192 FOOT COAXIAL CABLE IN CONDUIT
- 1 EACH VIDEO MONITORING PTZ CAMERA SYSTEM
- 460 FOOT PREFORMED DETECTOR LOOP
- 192 FOOT POWER LEAD CABLE VIDEO NO. 12, 3/C
- 7 FOOT ELECTRIC CABLE IN CONDUIT, GROUNDING, NO. 6 1C
- 1 EACH MALFUNCTION MANAGEMENT UNIT, SPECIAL
- 1 EACH MANAGED ETHERNET SWITCH, TYPE 1

NOTES:  
1. TRAFFIC CONTROL EQUIPMENT SHALL BE MANUFACTURED BY SIEMENS.

TRAFFIC SIGNAL INSTALLATION ELECTRICAL SERVICE REQUIREMENTS				TOTAL WATTAGE
TYPE	NO. LAMPS	WATTAGE	% OPERATIONS	
SIGNAL (RED)	13	17	0.50	110.5
(YELLOW)	13	25	0.25	81.3
(GREEN)	13	15	0.25	48.8
ARROW	20	12	0.10	24.0
PED. SIGNAL	0	25	1.00	0
CONTROLLER	1	100	1.00	100.0
ILLUM. SIGN				0
VIDEO SYSTEM	1	150	1.00	150.0
FLASHER LED			0.50	
BILL COSTS TO:			TOTAL =	514.6

ILLINOIS DEPARTMENT OF TRANSPORTATION  
DIVISION OF HIGHWAY/DISTRICT 1  
201 WEST CENTER COURT/SCHAUMBURG, ILLINOIS 60196-1096  
ENERGY SUPPLY - CONTACT: Mr. Al Arends  
PHONE: (630) 691-4379  
COMPANY: Com Ed, Customer Const. & Design

**rjngroup**  
Excellence through Ownership

200 West Front Street  
Wheaton, IL 60187

DESIGNED - MK	REVISED -
DRAWN - DW	REVISED -
CHECKED - MH	REVISED -
DATE - 12/20/2010	REVISED -

**KANE COUNTY  
DIVISION OF TRANSPORTATION  
ORCHARD ROAD RECONSTRUCTION**

**CABLE PLAN, PHASE DESIGNATION DIAGRAM  
AND SCHEDULE OF QUANTITIES  
U.S. RTE. 30 @ ORCHARD**

SCALE: 1" = 20' SHEET NO. 9 OF 13 SHEETS STA. TO STA.

F.A.P. RTE.	SECTION	COUNTY	TOTAL SHEETS	SHEET NO.
336	99-00232-01-WR	KANE	215	118
CONTRACT NO. 63541			ILLINOIS FED. AID PROJECT	

20.00000 / IN.  
dwg  
12/17/2010  
R:\117782\040\Sheets\117782.tbl - sht - US30.dgn