

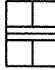

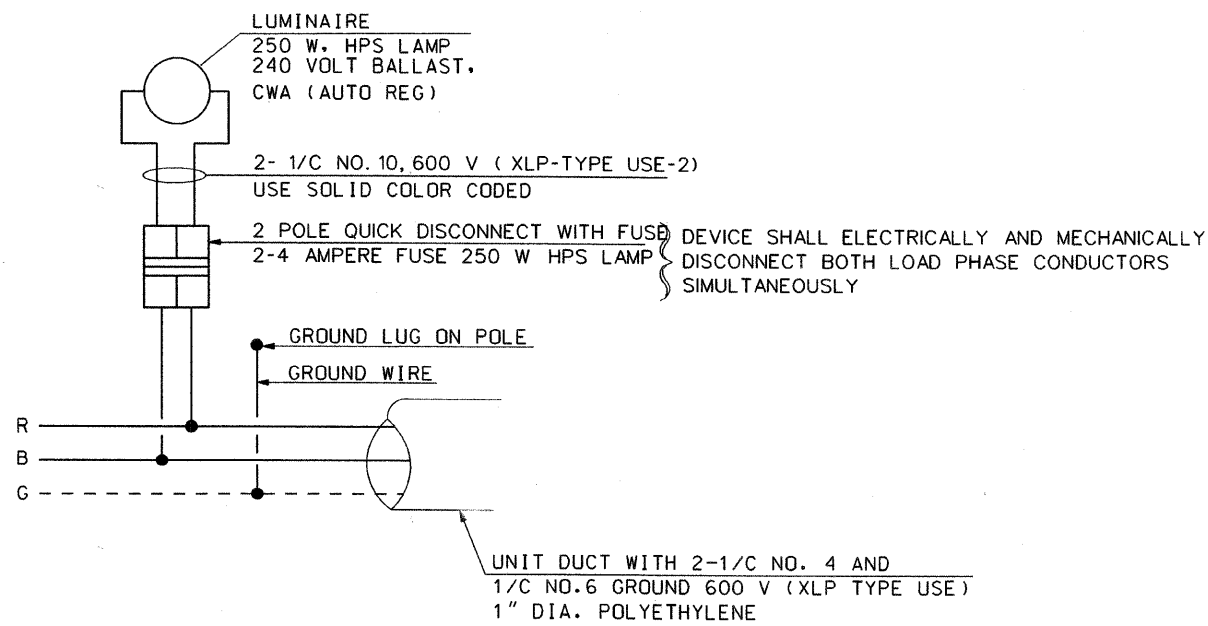
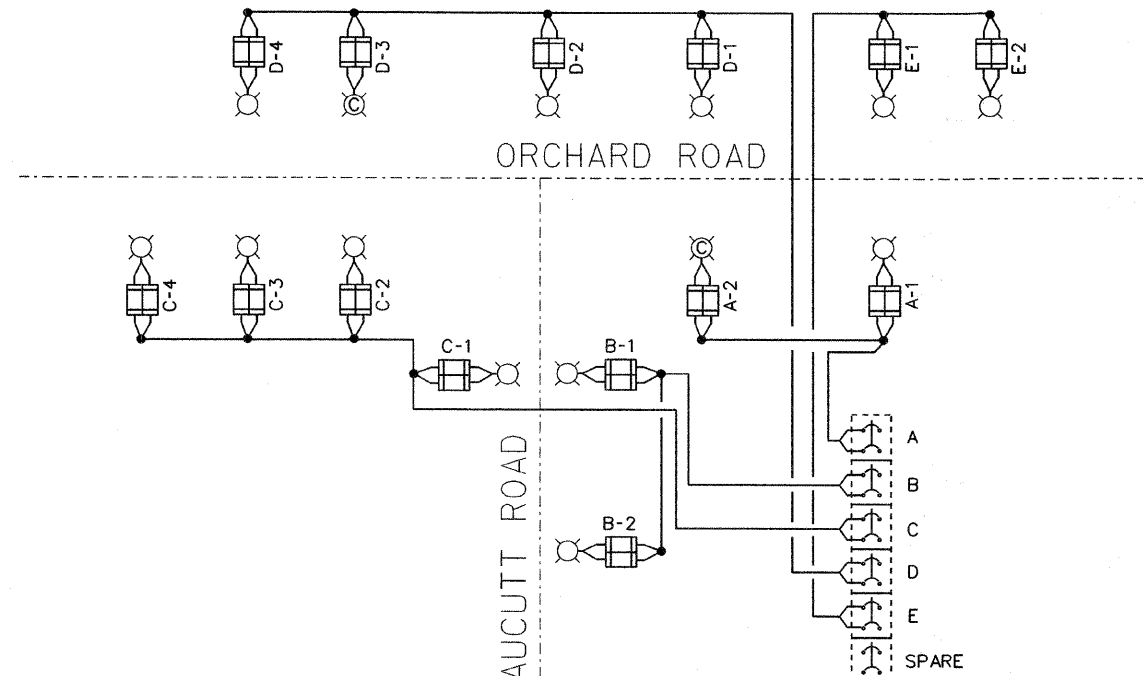


SINGLE LINE LEGEND

-  LUMINAIRE, 250W HPS
-  COMBINATION POLE LUMINAIRE, 250W HPS
-  FUSE, 2-4 FOR 250 W HPS LAMP
-  CIRCUIT BREAKER
-  2 1/C \*4 & 1/C \*6 GND IN UNIT DUCT
-  CONNECTION

F.A.P. RTE.	SECTION	COUNTY	TOTAL SHEETS	SHEET NO.
336	99-00232-01-WR	KANE	215	130
STA.		TO STA.		
FED. ROAD DIST. NO.		ILLINOIS FED. AID PROJECT		
CONTRACT NO. 63541				



LIGHTING CONTROLLER  
120/240 VOLT, 1V PHASE, 3 WIRE  
CIRCUIT LOAD

CIRCUIT	AMPERE	WATTS
A	2.6	624
B	2.6	624
C	5.2	1,248
D	5.2	1,248
SPARE - E	2.6	624
SPARE - F	—	—
TOTAL	18.2	4,368

250 W HPS LAMP, - 1.3 AMP, 312 WATTS

12/17/2010 10:04:48 AM C:\SUNJOY\Projects\Orchard\_Aucutt\_Roh\AUCUTT\_SLD.dgn

**Sunjoy Inc.**  
Area Lighting  
212 TIMBERCREST DRIVE  
SCHAUMBURG, ILLINOIS  
60193-1572

**rjngroup**  
Excellence through Ownership  
200 West Front Street  
Wheaton, IL 60187

REVISIONS	
NAME	DATE

ILLINOIS DEPARTMENT OF TRANSPORTATION  
**KANE COUNTY DIVISION OF TRANSPORTATION**  
ORCHARD ROAD RECONSTRUCTION  
AUCUTT RD & ROCHESTER DR LIGHTING IMPROVEMENT  
**ONE LINE CIRCUIT DIAGRAM**  
INTERSECTION: ORCHARD RD WITH AUCUTT ROAD

SCALE: VERT. NONE  
DATE: 08-01-10

DRAWN BY  
CHECKED BY