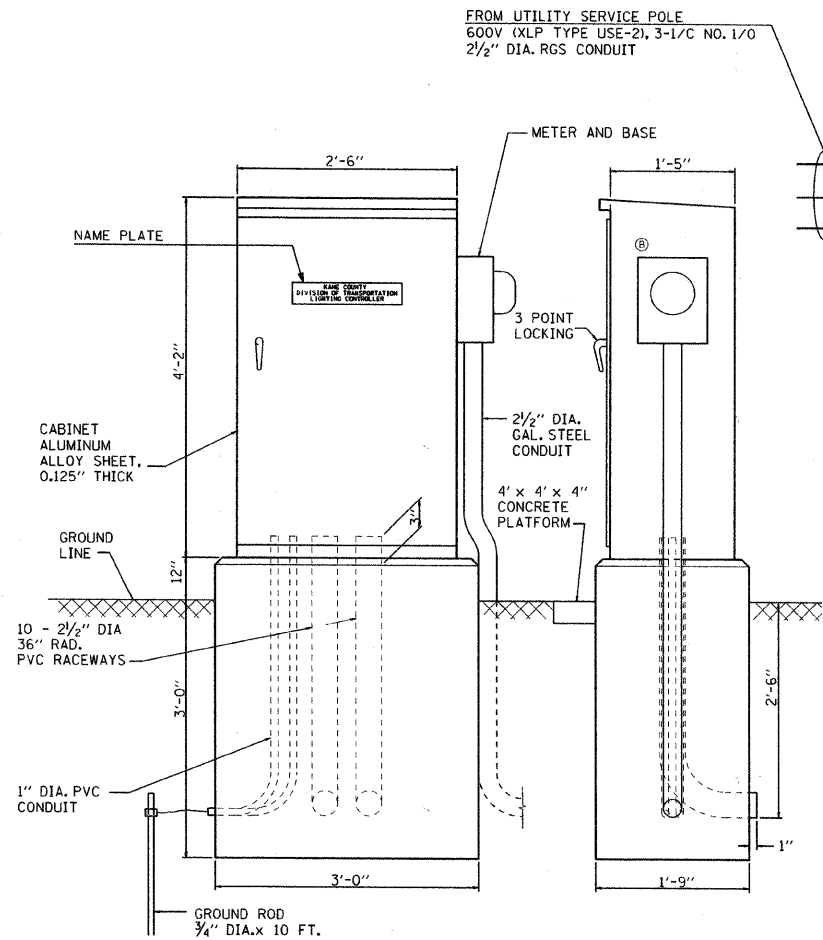
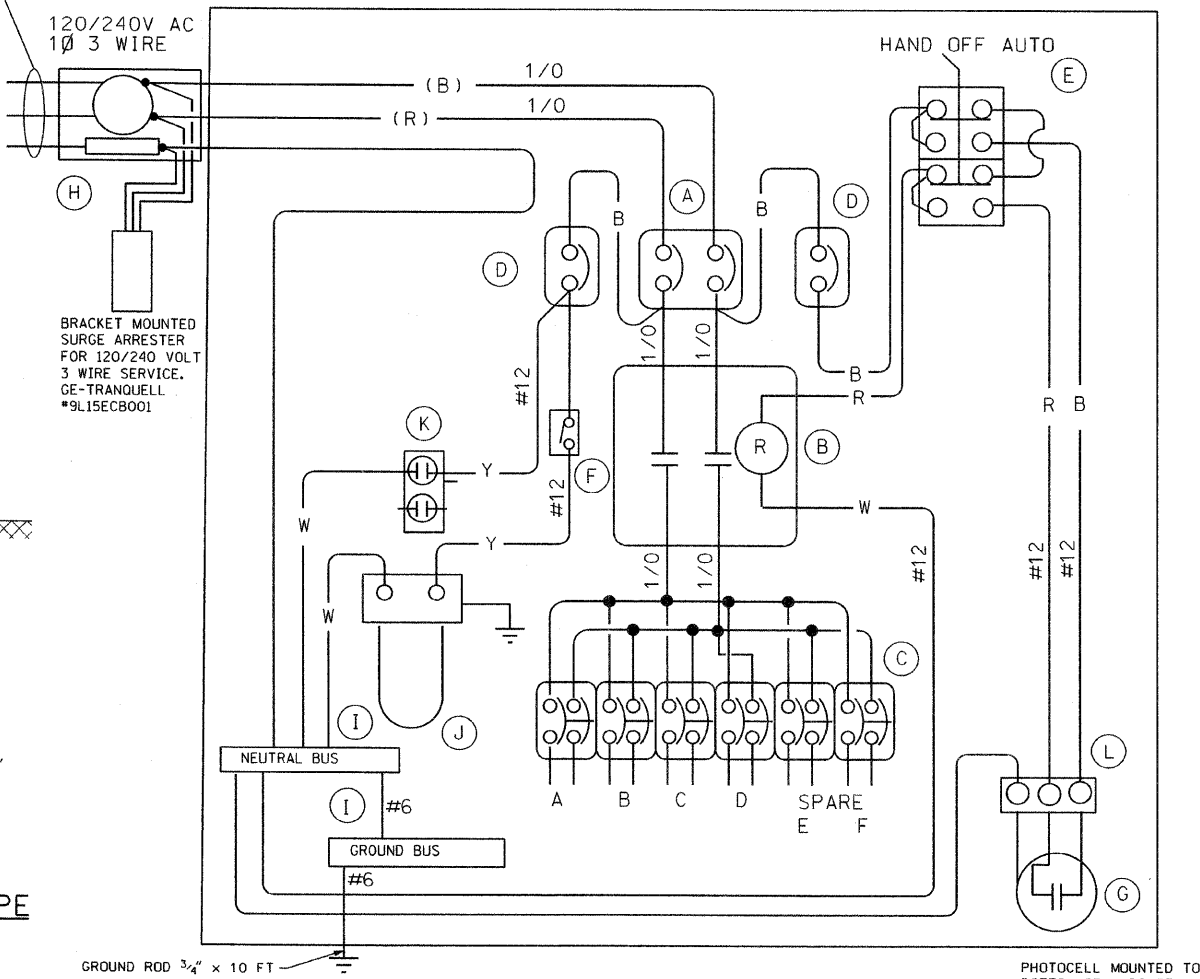


F.A.P. RTE.	SECTION	COUNTY	TOTAL SHEETS	SHEET NO.
336	99-00232-01-WR	KANE	215	136
STA.		TO STA.		
FED. ROAD DIST. NO.	ILLINOIS	FED. AID PROJECT		
CONTRACT NO. 63541				



CONTROL CABINET - CONSOLE TYPE



100 AMPERE - 120/240 VOLT. WIRING DIAGRAM

DEVICE SCHEDULE		
ITEM	QUANT.	DESCRIPTION
(A)	1	CIRCUIT BREAKER, MOLDED CASE, THERMAL MAGNETIC, 2- POLE, 600 V. A.C., 225 A. FRAME, 125 A. NON-INTERCHANGABLE TRIP, BOLT-ON TYPE; INTERRUPTING CAPACITY OF NOT LESS THAN 22,000 RMS SYMMETRICAL AMPERES AT 480 V.
(B)	1	CONTACTOR 100A., 2 POLE ELECTRICALLY HELD WITH 120V COIL
(C)	6	30 A., 1 POLE BOLT-ON BRANCH BREAKERS EACH RATED 277 V. WITH INTERRUPTING CAPACITY OF NOT LESS THAN 10,000 RMS SYMMETRICAL AMPERES AT 240 V.
(D)	2	CIRCUIT BREAKER, MOLDED CASE, THERMAL MAGNETIC, 1-POLE, 277 V., BOLT-ON TYPE, 15 A. WITH AN INTERRUPTING RATING OF NOT LESS THAN 10,000 RMS SYMMETRICAL AMPERES AT 240 V.
(E)	1	SELECTOR SWITCH, 3 POSITION, ON-OFF-AUTO
(F)	1	20 A. SPST MICRO SWITCH (MOUNT WITH ACTUATOR TO SWITCH WHEN DOOR OPENED)
(G)	1	PHOTOCELL, 120 VOLT COIL
(H)	1	SOCKET FOR ELECTRIC UTILITY COMPANY METER.
(I)	2	NEUTRAL/GROUND COPPER BUSS
(J)	1	60 WATT LIGHT FIXTURE, VAPOR TIGHT, WITH GLOBE AND GUARD AND MOUNTING BOX
(K)	1	GFI RECEPTACLE, 120 V., 20 A., PREMIUM SPEC. GRADE, NEMA REFERENCE 5-15R IN WEATHER-PROOF BOX WITH FLAP-TYPE COVER.
(L)	1	TERMINAL BLOCK COPPER

NOTES:

- THE CABINET SHALL BE FABRICATED FROM 0.125" THICK ALUMINUM ALLOY SHEET AND SHALL BE REINFORCED WITH ALUMINUM ANGLES. THE CABINET DOOR SHALL BE NEMA TYPE 3R CONSTRUCTION WITH NEOPRENE GASKET. THE DOOR SHALL HAVE STAINLESS STEEL HINGES AND THREE POINT LOCKING SYSTEM.
- THE CONTRACTOR SHALL REMOVE VEGETATION AND TOPSOIL, LEVEL THE AREA IN FRONT OF THE CONTROL CABINET DOOR AND PLACE LENGTH WISE, PARALLEL TO CONTROL CABINET. A PRECAST PAD, 4' x 4' x 4" MINIMUM SIZE. THE COST OF LABOR AND MATERIALS SHALL BE INCIDENTAL TO THE CONTROL CABINET.
- CONTROL WIRE SHALL BE #12 AWG, 600V. TYPE "MTW" STRANDED COPPER GRAY SWITCH BOARD WIRE. THE ENDS OF ALL CONTROL WIRES SHALL BE IDENTIFIED.
- THE ELECTRIC METER BOX SHALL BE MOUNTED ON THE SIDE OF THE CONTROL CABINET, NEAR TO THE SERVICE POLE AND/OR AS DIRECTED BY THE ENGINEER.
- ALL CONTROL CABINET ITEMS SHALL HAVE SUITABLE IDENTIFICATION. OPEN CIRCUIT BREAKERS, CONTACTORS AND OTHER OPEN DEVICES SHALL HAVE PERMANENT SELF-STICKING TAGS. DEVICES IN ENCLOSURES SHALL HAVE ENGRAVED 2-COLOR LAMINATED PLASTIC NAMEPLATES ATTACHED TO ENCLOSURES WITH SCREWS. NAMEPLATES SHALL BE ENGRAVED TO CORRESPOND TO DESIGNATIONS ON THE DRAWINGS. INTERNAL CABINET WIRING SHALL BE IDENTIFIED AS INDICATED OR AS DIRECTED BY THE ENGINEER BY MEANS OF SELF-STICKING TAGS APPLIED AT EACH CONNECTED END. IDENTIFICATION SHALL BE MADE BY THE CABINET MANUFACTURER.
- ALL WIRING WITHIN THE CABINET SHALL BE COLOR CODED AS INDICATED.
R = RED BL = BLUE W = WHITE
B = BLACK Y = YELLOW G = GREEN
- PROVIDE SEALING GROMMETS FOR ALL OPEN WIRING EXTENDED FROM DEVICES IN BOXES OR CABINETS WITHIN THE CONTROL CABINET.
- THE HEADS OF CONNECTOR SCREWS SHALL BE PAINTED WHITE FOR NEUTRAL BUSS CONNECTION AND GREEN FOR GROUND BUSS CONNECTORS.
- ALL WIRING SHALL BE NEATLY DRESSED AND SUPPORTED.
- THE CONTROLLER SHALL BE CONSTRUCTED TO U.L. STD. 508 AND BEAR THE U.L. LABEL "ENCLOSED INDUSTRIAL CONTROL PANEL".
- PROVIDE A HOLDER AND WATERPROOF POUCH ON THE INNER SIDE OF THE CONTROLLER DOOR. THE HOLDER AND POUCH SHALL BE MOUNTED SO THAT RAIN WATER OR CONDENSED WATER CANNOT ENTER THE POUCH WITH THE CABINET DOOR OPEN. FURNISH A LAMINATED THE APPROVED COPY OF THE "CONTROL CABINET WIRING DIAGRAM".
- THE CONTRACTOR SHALL OBTAIN ANCHOR BOLTS LOCATION TEMPLATE FROM THE FABRICATOR OF LIGHTING CONTROLLER
- THE CONTROLLER FABRICATION SHALL COMPLY TO ARTICLE 1068.01 OF THE STANDARD SPECIFICATIONS
- THE CONTROLLER CABINET DOOR SHOULD OPEN AWAY FROM THE STREET

CONTROLLER DETAIL FROM KANE COUNTY DIVISION OF HIGHWAYS

<p>Sunjoy Inc. Area Lighting 212 TIMBERCREST DRIVE SCHAUMBURG, ILLINOIS 60193-1572</p>	<p>Excellence through Ownership 200 West Front Street Wheaton, IL 60187</p>	REVISIONS	
		NAME	DATE
ILLINOIS DEPARTMENT OF TRANSPORTATION KANE COUNTY DIVISION OF TRANSPORTATION ORCHARD ROAD RECONSTRUCTION AUCUTT RD & ROCHESTER DR LIGHTING IMPROVEMENT LIGHTING CONTROLLER SPECIAL		SCALE: VERT. HORIZ.	DRAWN BY
		DATE: 08-01-10	CHECKED BY

12/17/2010 10:07:16 AM C:\SUNJOY\Projects\Orchard_Acutt_L_Roh\control.dgn