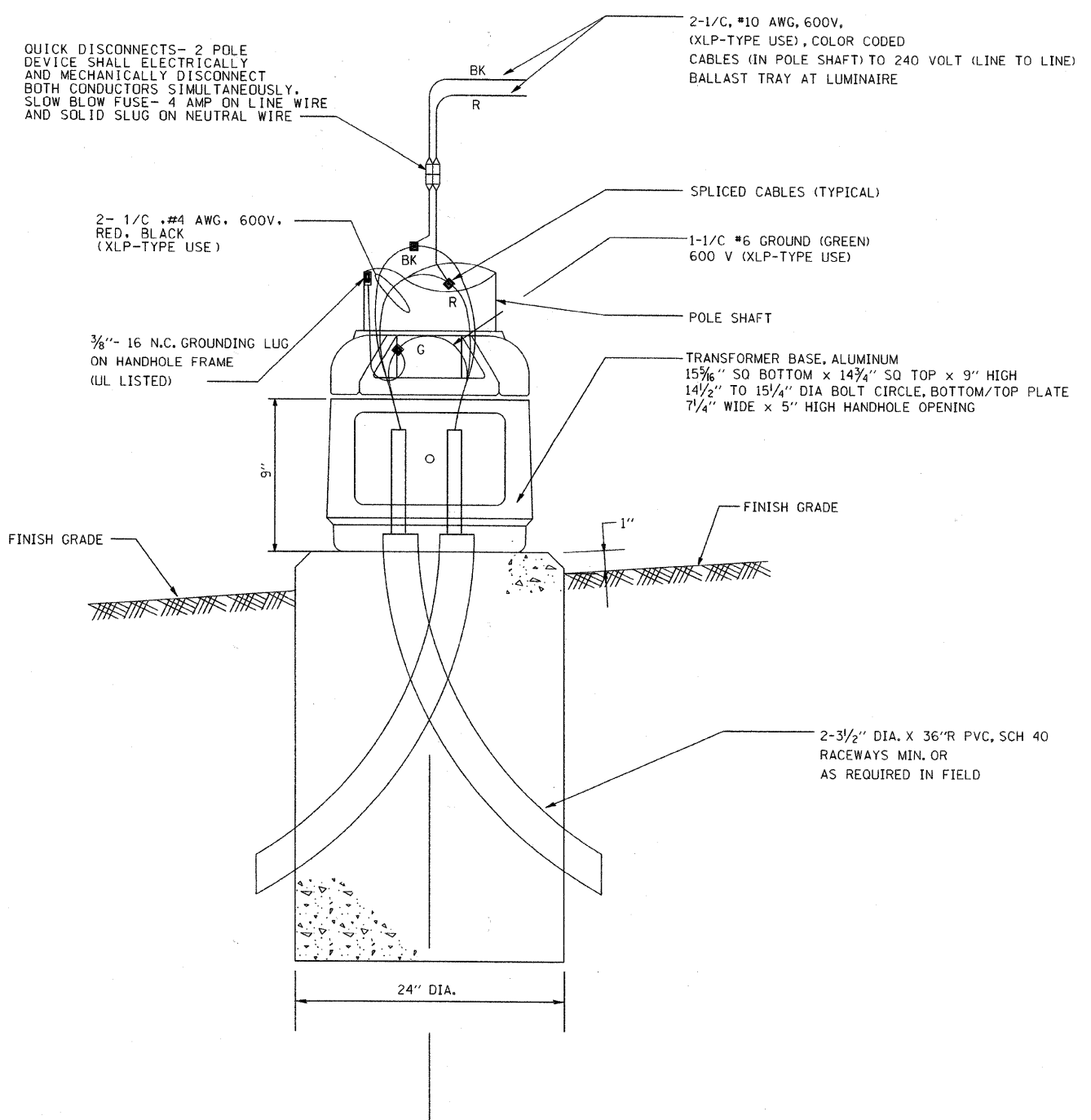
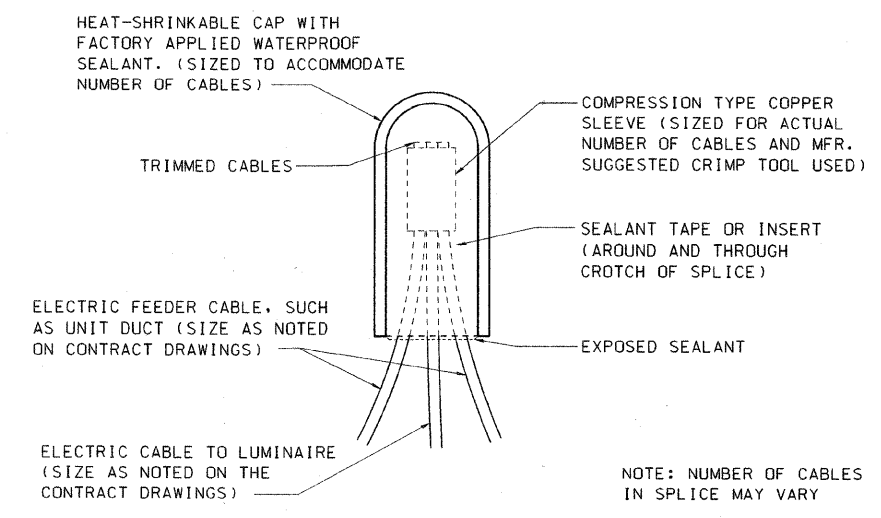


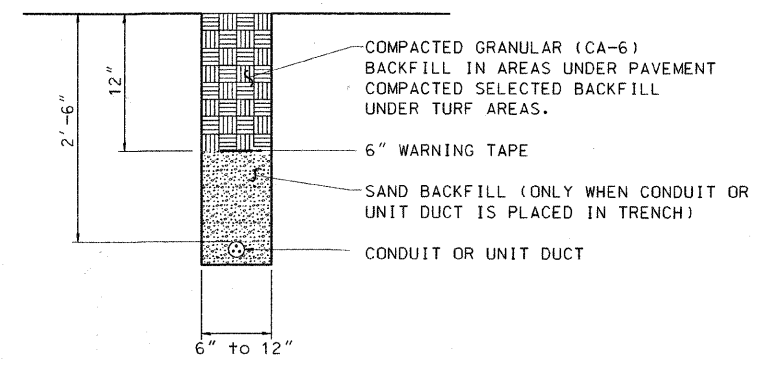
F.A.P. RTE.	SECTION	COUNTY	TOTAL SHEETS	SHEET NO.
336	99-00232-01-WR	KANE	215	138
STA.		TO STA.		
FED. ROAD DIST. NO.	ILLINOIS	FED. AID PROJECT		
CONTRACT NO. 63541				



POLE BASE WIRING WITH QUICK DISCONNECTS AND BREAKAWAY DEVICE TRANSFORMER BASE, U/L LISTED



SPLICING ELECTRIC CABLE



TRENCH AND BACKFILL

12/17/2010 10:08:28 AM C:\SUNJOY\Projects\Orchard_Acutt_Roh\ELECTRICAL_DET\AIS.dgn

<p>Sunjoy Area Lighting 212 TIMBERCREST DRIVE SCHAUMBURG, ILLINOIS 60193-1572</p>	<p>Excellence through Ownership 200 West Front Street Wheaton, IL 60187</p>	REVISIONS NAME DATE		ILLINOIS DEPARTMENT OF TRANSPORTATION KANE COUNTY DIVISION OF TRANSPORTATION ORCHARD ROAD RECONSTRUCTION AUCUTT RD & ROCHESTER DR LIGHTING IMPROVEMENT ELECTRICAL DETAILS SCALE: VERT. NONE HORIZ. DATE 08-01-10 DRAWN BY CHECKED BY