

STATE OF ILLINOIS
DEPARTMENT OF TRANSPORTATION

GENERAL NOTES

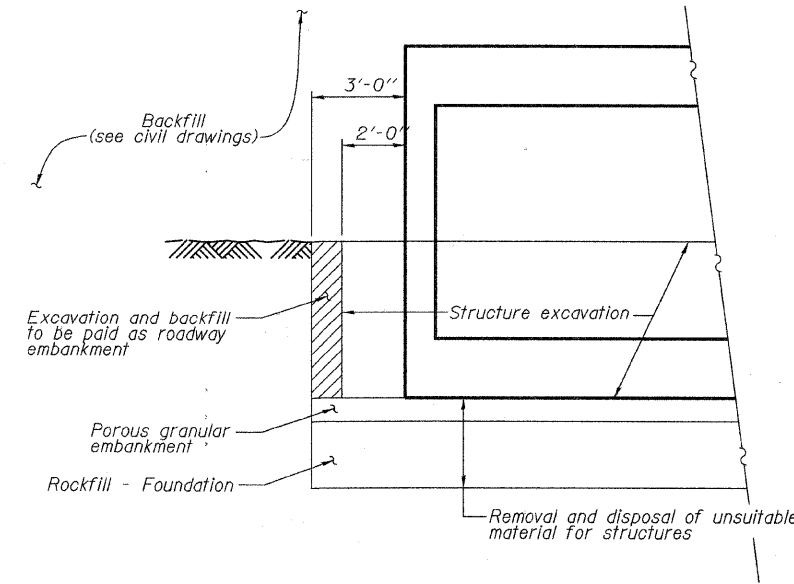
- Reinforcement bars shall conform to the requirements of ASTM A 706 Gr 60. See Special Provisions.
- Reinforcement bars designated (E) shall be epoxy coated.
- Layout of slope protection system may be varied to suit ground conditions in the field as directed by the Engineer.
- As shown on the stage construction details, it appears that no temporary soil retention system is required. If the Contractor's construction method is different from that shown on the drawings and temporary sheeting is required, it will be his/her responsibility to design and install an adequate soil retention system to the satisfaction of the Engineer.
- Upon completion of removal and disposal of unsuitable material to the limits indicated on the plans, the adequacy of the subgrade shall be evaluated. If, in the opinion of the Engineer, the bearing capacity of the subgrade is insufficient, the excavation should extend to a level of adequate strength. Any additional work, such as excavation disposal and backfilling will be paid for at the applicable unit bid price.
- The material used to replace the unsuitable material removed below the bottom of the proposed cast-in-place reinforced concrete box culvert and wingwalls shall be paid for as "Rock Fill - Foundation".
- The Contractor shall maintain or divert the stream flow during the entire construction period. No additional compensation will be made for water diversion or pumping. All costs incurred for these efforts shall be included in the contract unit bid price for "Concrete Box Culverts".
- The Contractor shall make all necessary provisions to adequately support the existing 12" watermain below the culvert during the excavation of the unsuitable material. When placing the stones for the Rock Fill - Foundation, the Contractor shall properly compact the aggregates below the watermain to avoid future settlement and possible damage of the pipe. Furthermore, the area in direct contact with the pipe shall utilize small-size aggregates to avoid concentrated point loads applied to the watermain.
- Precast concrete alternate will not be allowed.

TOTAL BILL OF MATERIAL

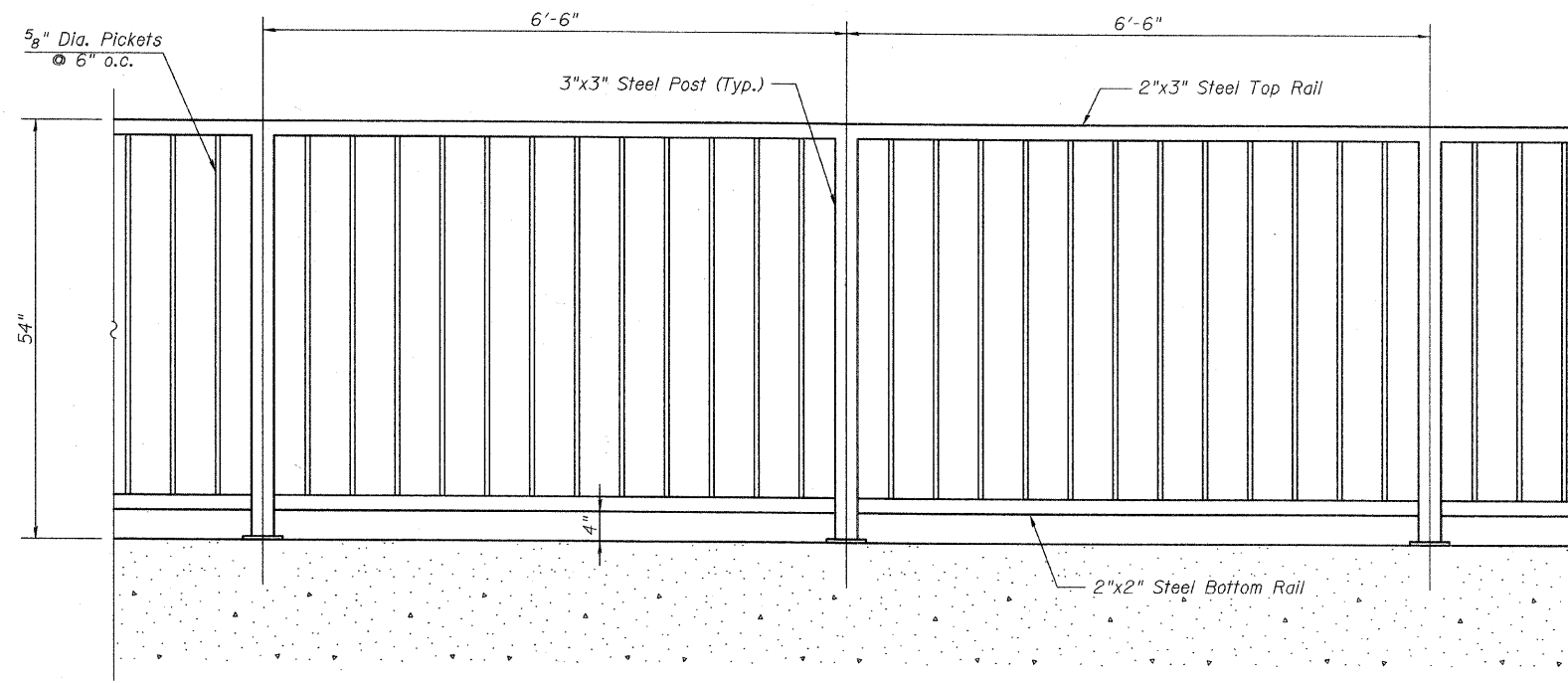
| ITEM | UNIT | TOTAL |
|--|----------|---------|
| Porous Granular Embankment | Cu. Yd. | 420 |
| Stone RipRap, Class A5 | Sq. Yd. | 187 |
| Geotechnical Fabric for Ground Stabilization | Sq. Yd. | 187 |
| Structure Excavation | Cu. Yd. | 2105 |
| Removal and Disposal of Unsuitable Material For Structures | Cu. Yd. | 1506 |
| Reinforcement Bars | Pound | 373,870 |
| Reinforcement Bars, Epoxy Coated | Pound | 320 |
| Bar Splicers | Each | 240 |
| Steel Railing (Special) | Foot | 66 |
| Name Plates | Each | 1 |
| Concrete Box Culverts | Cu. Yds. | 1145.7 |
| Rock Fill - Foundation | Tons | 2240 |

INDEX OF SHEETS

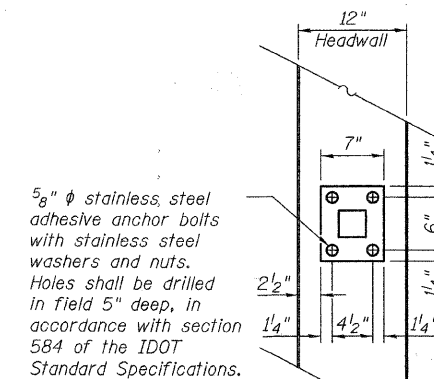
- General Plan and Elevation
- General Data
- Temporary Concrete Barrie
- Stage Construction Details
- Culvert Details
- Culvert Details
- WingWall Details
- Bar Splicer Assembly Details
- Boring Logs



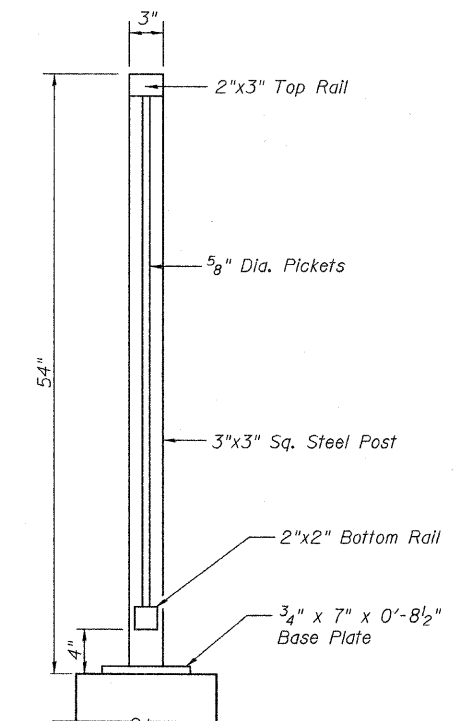
METHOD OF MEASUREMENT FOR QUANTITY CALCULATIONS



HEADWALL RAILING



BASE PLATE DETAIL



TYPICAL SECTION

| | |
|----------|-----|
| DESIGNED | PRD |
| CHECKED | AWW |
| DRAWN | PRD |
| CHECKED | AWW |

**GENERAL DATA
STRUCTURE NO. 045-6400**

| | | | | | | |
|---|-----------------------------|---------------------|----------------|------------------|--------------|-----------|
| rjngroup Excellence through Ownership 200 West Front Street Wheaton, IL 60187 | SHEET NO. 2 9 SHEETS | F.A.P. RTE. | SECTION | COUNTY | TOTAL SHEETS | SHEET NO. |
| | | 336 | 99-00232-01-WR | Kane | 215 | 140 |
| | | CONTRACT NO. 63541 | | | | |
| | | FED. ROAD DIST. NO. | ILLINOIS | FED. AID PROJECT | | |