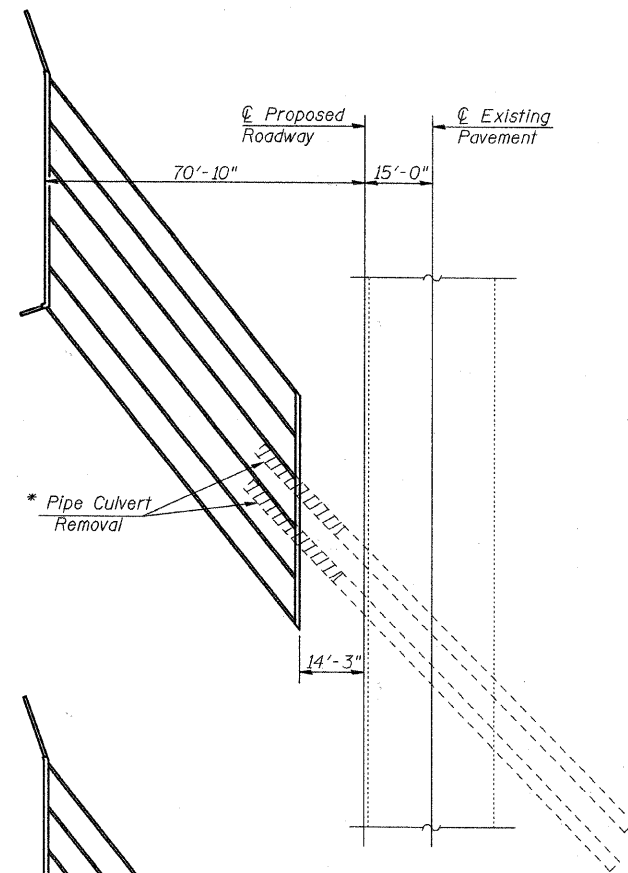


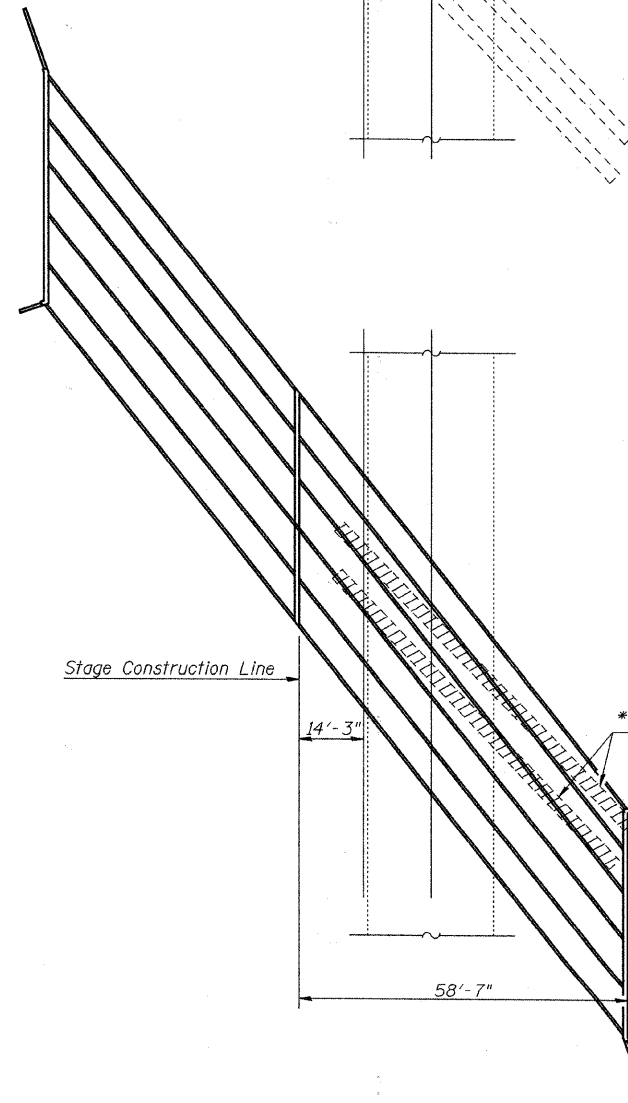
STATE OF ILLINOIS  
DEPARTMENT OF TRANSPORTATION

**CONSTRUCTION STAGING SEQUENCE**

1. Perform necessary excavation and remove required portion of existing 24" x 36" pipe culverts
2. Construct Stage I Culvert
3. Remove existing roadway and remainder of pipe culverts
4. Construct Stage II Culvert

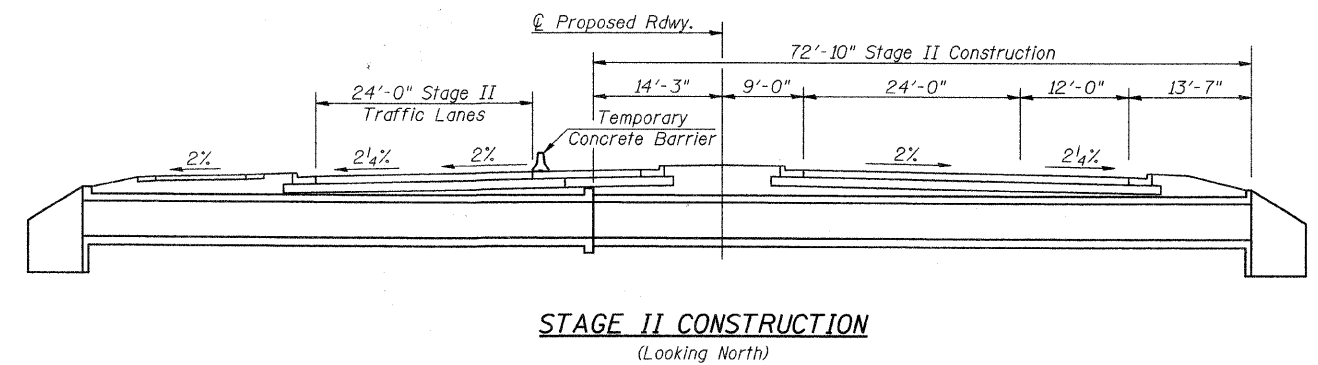
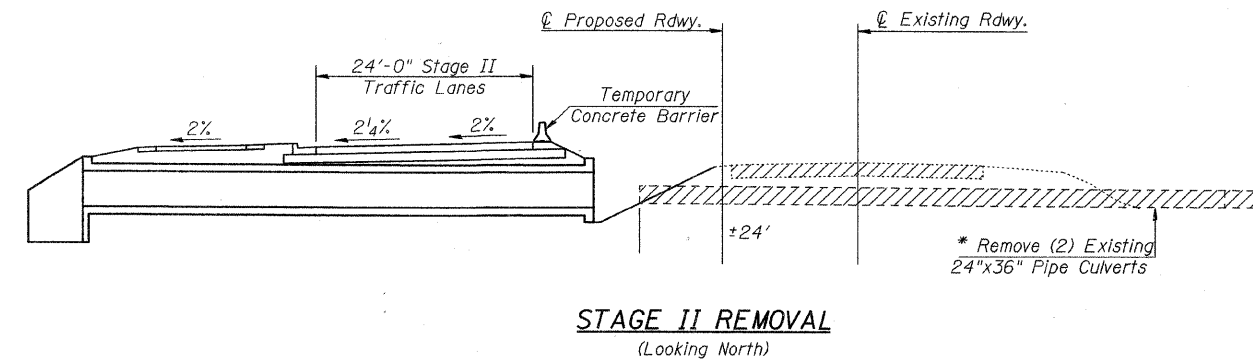
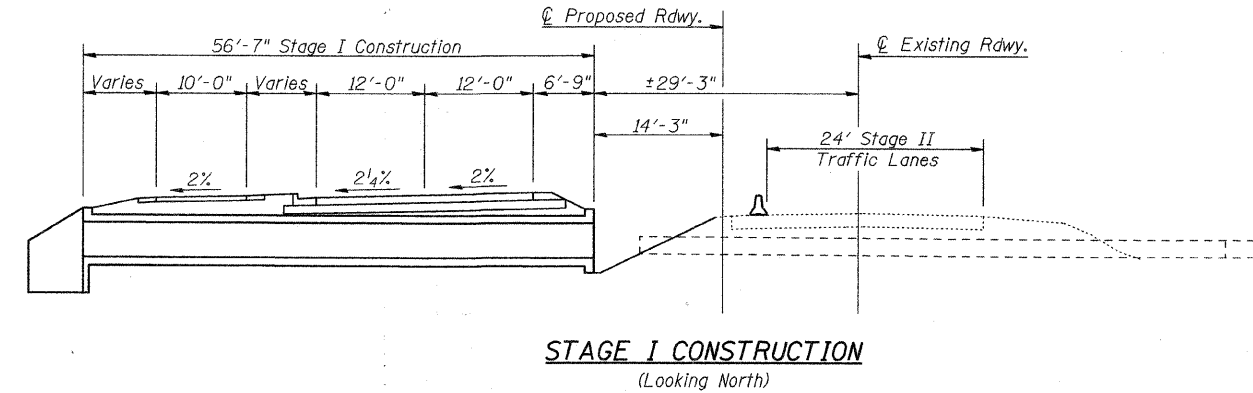
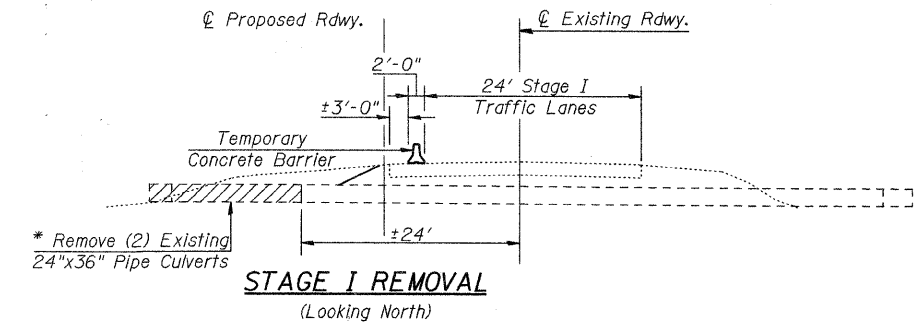


**STAGE I**



**STAGE II**

\* Cost of Existing Pipe Culvert Removal included in the cost of CONCRETE BOX CULVERTS.



**STAGE CONSTRUCTION DETAILS  
STRUCTURE NO. 045-6400**

DESIGNED	PRD
CHECKED	AWW
DRAWN	PRD
CHECKED	AWW

<b>rjngroup</b> Excellence through Ownership 200 West Front Street Wheaton, IL 60187	SHEET NO. 4  9 SHEETS	F.A.P. RTE.	SECTION	COUNTY	TOTAL SHEETS	SHEET NO.
		336	99-00232-01-WR	Kane	215	142
		CONTRACT NO. 63541				
		FED. ROAD DIST. NO.	ILLINOIS	FED. AID PROJECT		

12/17/2010 9:04:53 AM K:\1177702\83738\CADD\_Sheets\0456400-83738-04\_STGCONSL.dgn