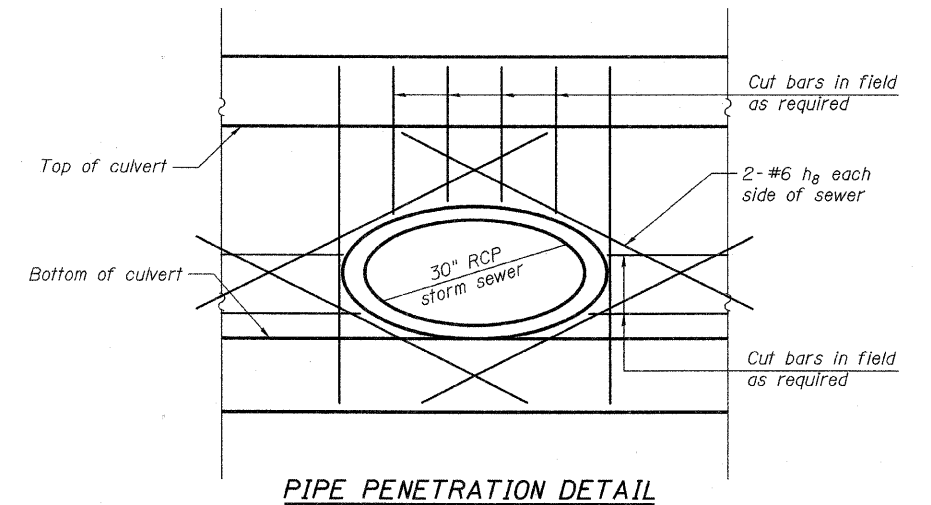
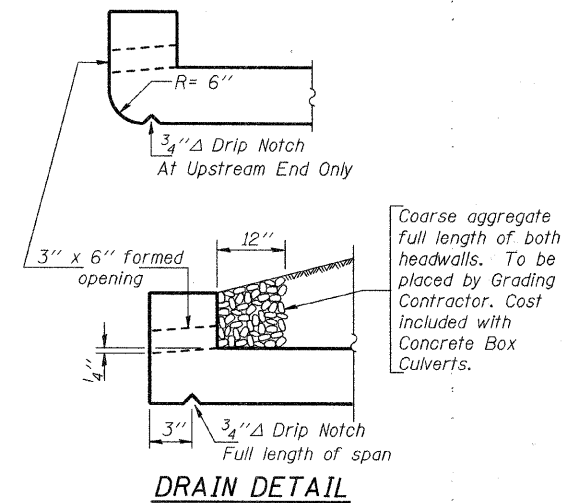
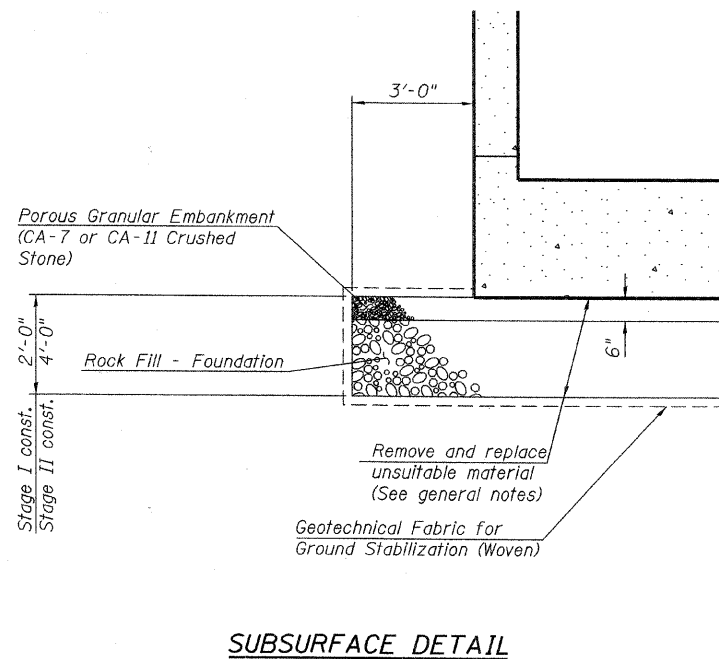
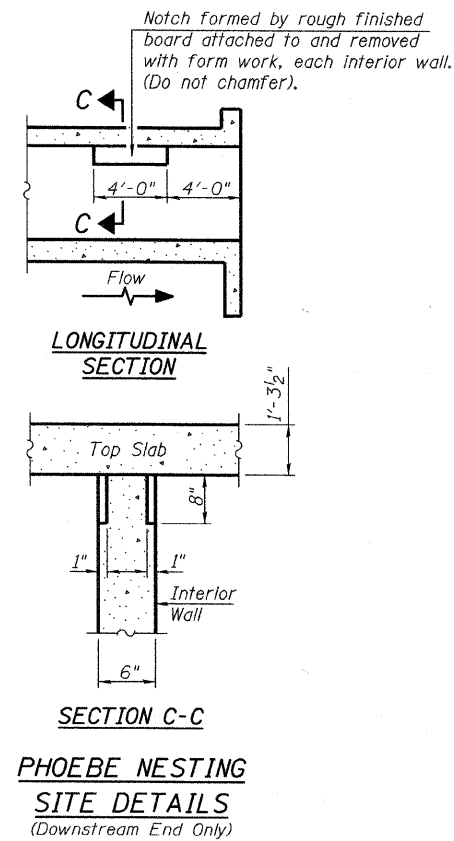
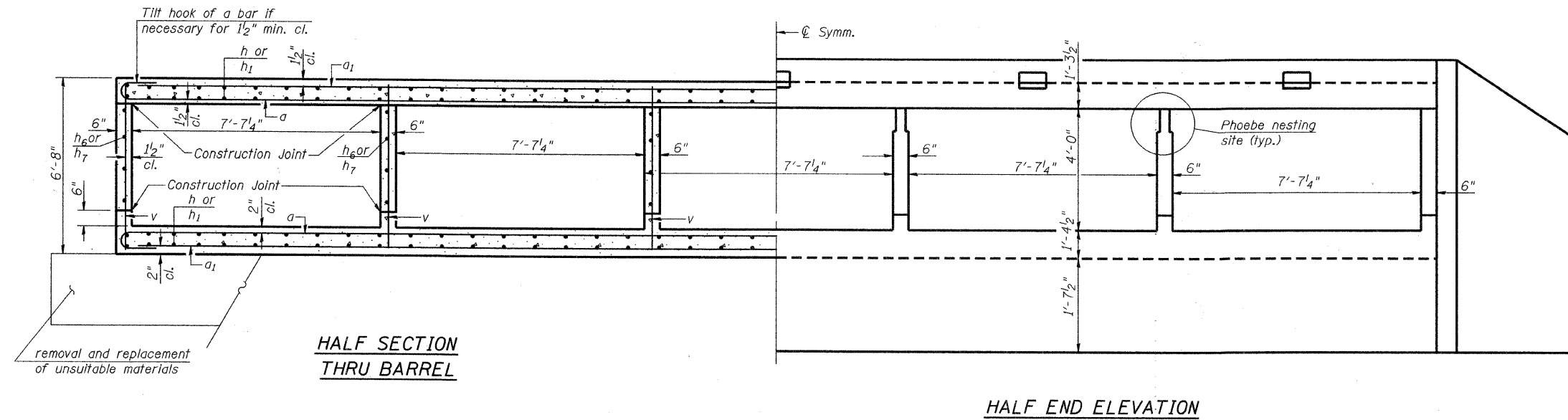


STATE OF ILLINOIS  
DEPARTMENT OF TRANSPORTATION



DESIGNED	PRD
CHECKED	AWW
DRAWN	PRD
CHECKED	AWW

**CULVERT DETAILS**  
**STRUCTURE NO. 045-6400**

<b>rjngroup</b> Excellence through Ownership 200 West Front Street Wheaton, IL 60187	SHEET NO. 6	F.A.P. RTE.	SECTION	COUNTY	TOTAL SHEETS	SHEET NO.
	9 SHEETS	336	99-00232-01-WR	Kane	215	144
	FED. ROAD DIST. NO.			ILLINOIS FED. AID PROJECT		CONTRACT NO. 63541

12/17/2010 9:04:55 AM K:\1117702\83738\CADD\_Sheets\0456400-83738-06\_CulvDet.dgn