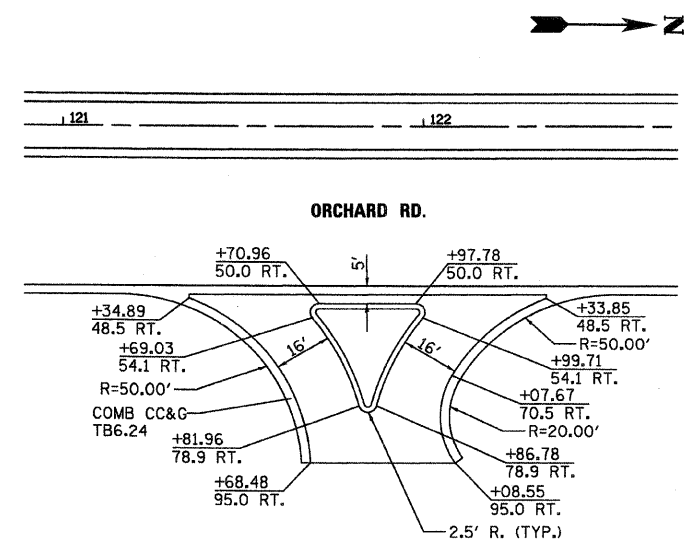
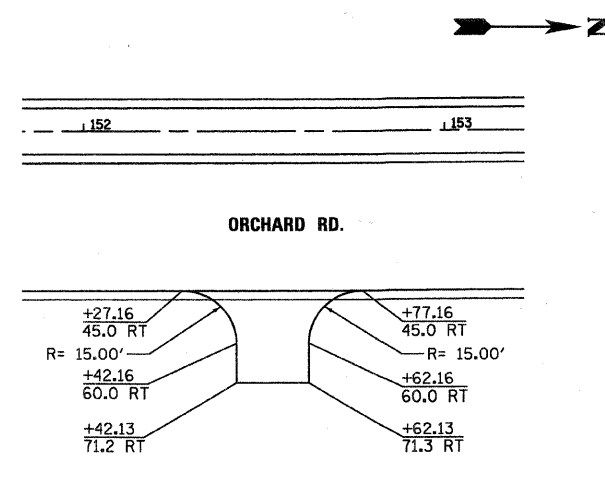


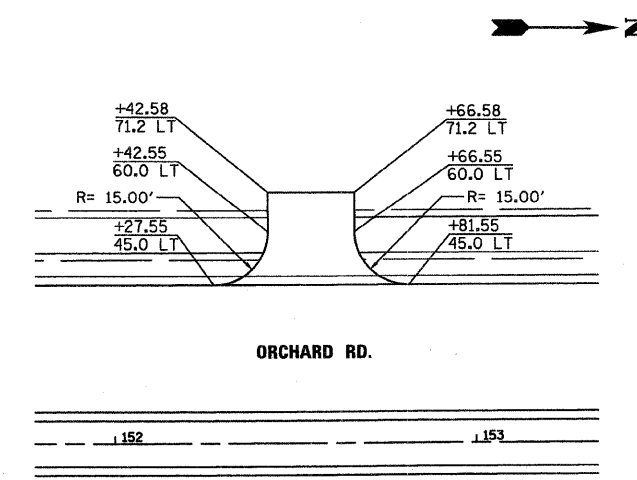
FIELD ENTRANCE STA. 116+00.00 LT



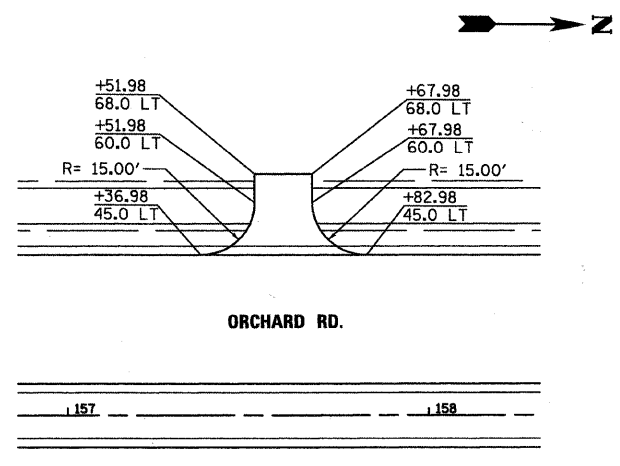
COMMERCIAL ENTRANCE STA. 121+84.37 RT



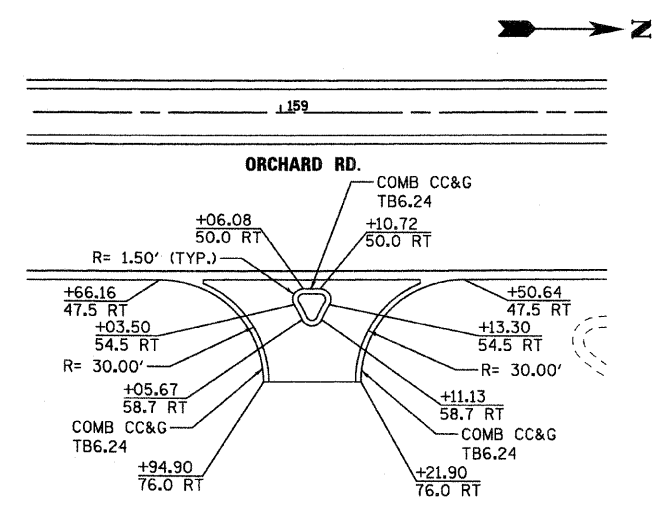
INDUSTRIAL ENTRANCE STA. 152+52.13 RT



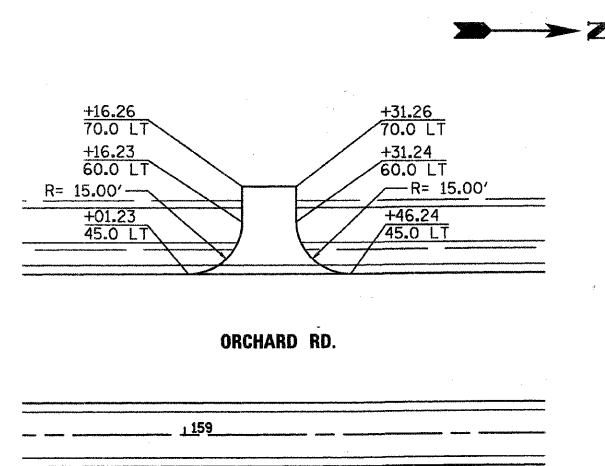
FIELD ENTRANCE STA. 152+54.58 LT



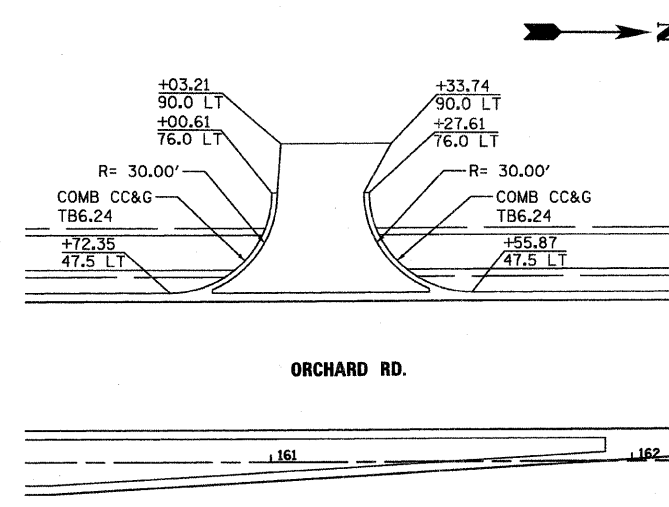
FIELD ENTRANCE STA. 157+59.98 LT



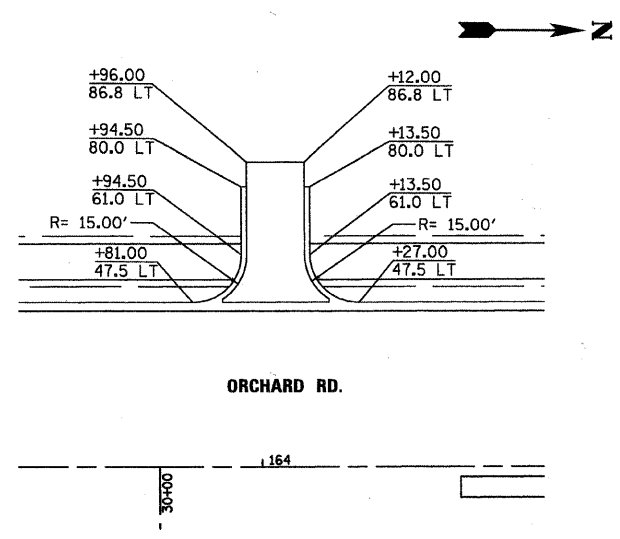
COMMERCIAL ENTRANCE STA. 159+08.40 RT



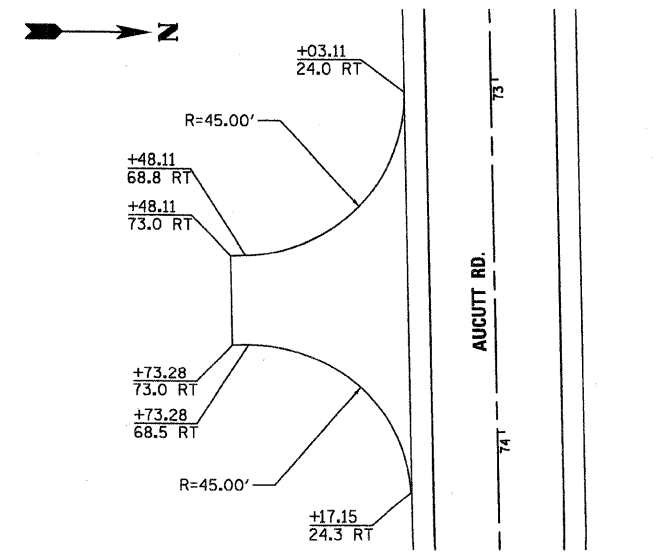
FIELD ENTRANCE STA. 159+23.76 LT



COMMERCIAL ENTRANCE STA. 161+14.11 LT



PRIVATE ENTRANCE STA. 164+04.00 LT



COMMERCIAL ENTRANCE STA. 73+60.70 RT

NOTE:
SEE DISTRICT 1 DETAILS BD-01 AND BD-02 FOR DRIVEWAY TYPICAL SECTIONS.

43-9999 / IN. d:\projects\99-00232-01-ORCHARD\Drawings\17782-Details.dwg



200 West Front Street
Wheaton, IL 60187

DESIGNED - MK	REVISED -
DRAWN - DW	REVISED -
CHECKED - MH	REVISED -
DATE - 12/20/2010	REVISED -

KANE COUNTY
DIVISION OF TRANSPORTATION
ORCHARD ROAD RECONSTRUCTION

SCALE: NTS	SHEET NO. 2 OF 2 SHEETS	STA. TO STA.
------------	-------------------------	--------------

F.A.P. RTE. 336	SECTION 99-00232-01-WR	COUNTY KANE	TOTAL SHEETS 215	SHEET NO. 149
CONTRACT NO. 63541				