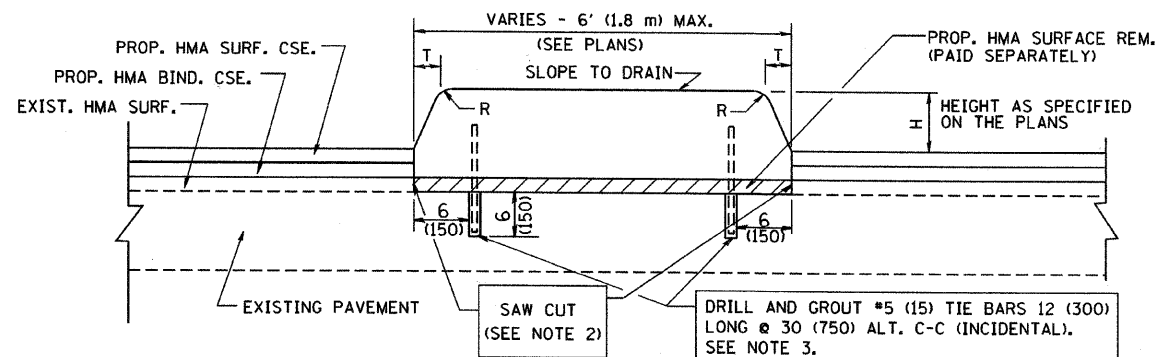


- NOTES:
1. CORRUGATED MEDIAN (MODIFIED) SHALL BE CONSTRUCTED IN ACCORDANCE WITH SECTION 606 OF THE STANDARD SPECIFICATIONS AND THE APPLICABLE PORTIONS OF STATE STANDARD 606306.
 2. WITH THE APPROVAL OF THE ENGINEER, THE CONTRACTOR MAY DELETE THE SAW CUT IF A NEAT JOINT CAN BE OBTAINED BY MILLING THE HMA SURFACE TO BE REMOVED. SAW CUT WILL BE INCLUDED IN THE COST OF CORRUGATED MEDIAN (MODIFIED)
 3. PAVEMENT FABRIC WILL BE INCLUDED IN THE COST OF CORRUGATED MEDIAN (MODIFIED)

DETAILS FOR CORRUGATED MEDIAN (MODIFIED)

THIS WORK WILL BE PAID FOR AT THE CONTRACT UNIT PRICE PER SQUARE FOOT (SQUARE METER) FOR "CORRUGATED MEDIAN (MODIFIED)"



- NOTES:
1. CONCRETE MEDIAN TYPE SB (DOWELLED) SHALL BE CONSTRUCTED IN ACCORDANCE WITH THE APPLICABLE PORTIONS OF STATE STANDARD 606301 AND SECTION 606 OF THE STANDARD SPECIFICATIONS.
 2. WITH THE APPROVAL OF THE ENGINEER, THE CONTRACTOR MAY DELETE THE SAW CUT IF A NEAT JOINT CAN BE OBTAINED BY MILLING THE HMA SURFACE TO BE REMOVED. SAW CUT WILL BE INCLUDED IN THE COST OF "CONCRETE MEDIAN TYPE SB (DOWELLED)"
 3. FOR MEDIAN WIDTH LESS THAN 4' (1.2 m) USE ONE ROW OF #5 (15) BARS @ 30 (750) C-C ALONG THE MEDIAN CENTERLINE. TIE BARS WILL BE INCLUDED IN THE COST OF "CONCRETE MEDIAN TYPE SB (DOWELLED)"

H	R	T
6(150)	1(25)	1(25)
9(225)	1(25)	2(50)

**DETAILS FOR CONCRETE MEDIAN
TYPE SB (DOWELLED)**

THIS WORK WILL BE PAID FOR AT THE CONTRACT UNIT PRICE PER SQUARE FOOT (SQUARE METER) FOR "CONCRETE MEDIAN TYPE SB (DOWELLED)"

ALL DIMENSIONS ARE IN INCHES (MILLIMETERS) UNLESS OTHERWISE SHOWN.

FILE NAME = W:\diststd\22x34\bd05.dgn	USER NAME = geglienobt	DESIGNED - M. DE YONG	REVISED - R. SHAH 09-09-94	STATE OF ILLINOIS DEPARTMENT OF TRANSPORTATION	DETAILS FOR CONCRETE MEDIAN TYPE SB (DOWELLED) CORRUGATED MEDIAN (MODIFIED)		F.A.P. RTE. 336	SECTION 99-00232-01-WR	COUNTY KANE	TOTAL SHEETS 215	SHEET NO. 153
	PLOT SCALE = 50,0000 ' / IN.	DRAWN -	REVISED - R. SHAH 10-25-94		SCALE: NONE	SHEET NO. 1 OF 1 SHEETS	STA.	TO STA.	BD600-02 (BD-5)		CONTRACT NO. 63541
	PLOT DATE = 1/4/2008	CHECKED -	REVISED - E. GOMEZ 08-28-00		FED. ROAD DIST. NO. 1 ILLINOIS FED. AID PROJECT						
		DATE - 05-14-90	REVISED - R. BORO 01-01-07								