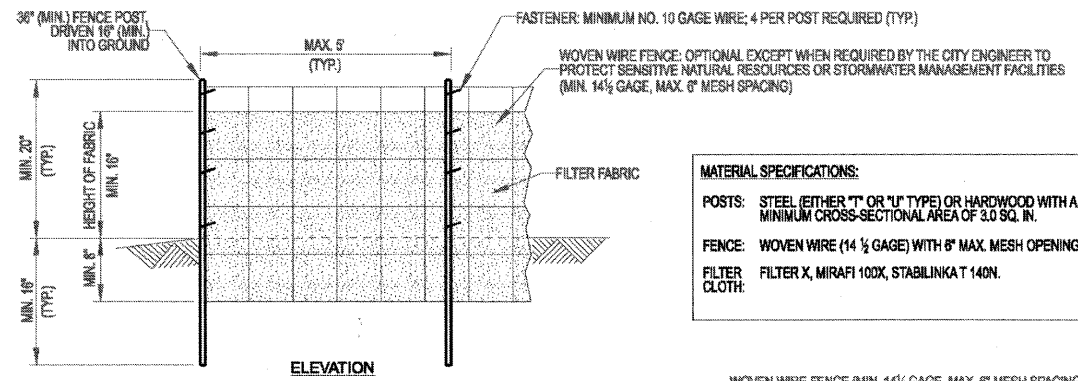
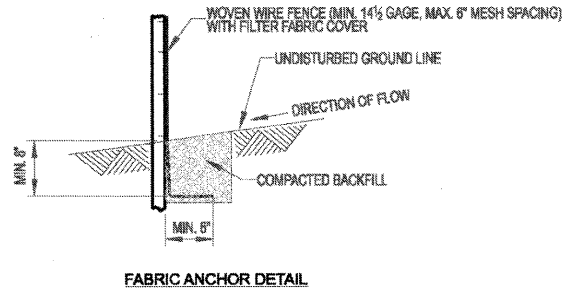


EC-01

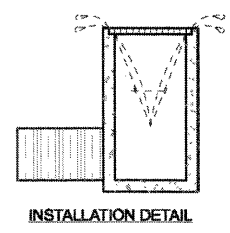


MATERIAL SPECIFICATIONS:
 POSTS: STEEL (EITHER "1" OR "1 1/2" TYPE) OR HARDWOOD WITH A MINIMUM CROSS-SECTIONAL AREA OF 3.0 SQ. IN.
 FENCE: WOVEN WIRE (14 1/2 GAGE) WITH 6" MAX. MESH OPENING
 FILTER CLOTH: FILTER X, MIRAFI 100X, STABILINKAT 140N.

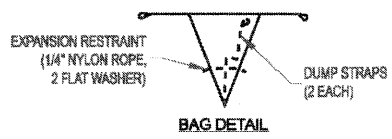
- NOTES:**
1. TEMPORARY SEDIMENT FENCE SHALL BE INSTALLED PRIOR TO ANY GRADING WORK IN THE AREA TO BE PROTECTED. THEY SHALL BE MAINTAINED, AS NEEDED, THROUGHOUT THE CONSTRUCTION PERIOD AND REMOVED IN CONJUNCTION WITH THE FINAL GRADING AND SITE STABILIZATION.
 2. WOVEN WIRE FENCE TO BE FASTENED SECURELY TO FENCE POST WITH TIES OR STAPLES
 3. FILTER CLOTH TO BE FASTENED SECURELY TO WOVEN WIRE FENCE WITH TIES SPACED EVERY 24" AT TOP AND MID-SECTION
 4. WHEN TWO (2) SECTIONS OF FILTER CLOTH ADJOIN EACH OTHER THEY SHALL BE OVERLAPPED BY SIX (6) INCHES AND FOLDED
 5. MATERIAL SHALL BE REMOVED WHEN BULGES DEVELOP IN THE SILT FENCE
 6. DOUBLE ROWS OF SILT FENCE SPACED FIVE (5) FEET APART SHALL BE PLACED AROUND EXISTING STORMWATER MANAGEMENT FACILITIES OR WETLANDS AS ADDITIONAL PROTECTION



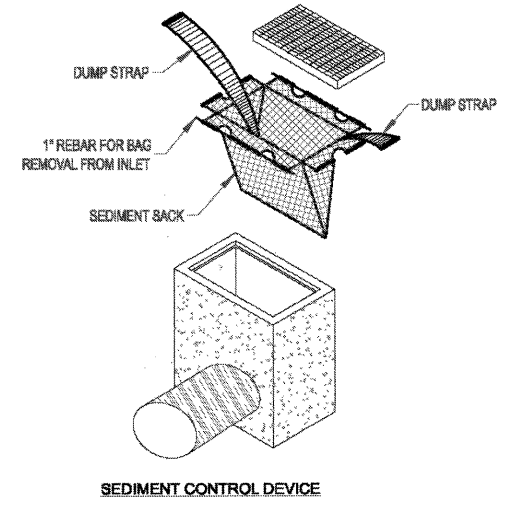
PERIMETER EROSION BARRIER



INSTALLATION DETAIL



BAG DETAIL



SEDIMENT CONTROL DEVICE

INLET FILTER

FILE NAME =	USER NAME = CMCCOLLO	DESIGNED - MCW	REVISED -	STATE OF ILLINOIS DEPARTMENT OF TRANSPORTATION	EROSION CONTROL DETAILS PINGREE ROAD			F.A.U. RTE.	SECTION	COUNTY	TOTAL SHEETS	SHEET NO.
N:\CRYSTALLAKE\100316\Civil\NSTOECL102316.sht		DRAWN - PMM	REVISED -					126	08-00107-00-FP	McHENRY	50	22
PLOT SCALE = 50'		CHECKED - MCW	REVISED -		SCALE: SHEET NO. 4 OF 4 SHEETS STA. TO STA.			CONTRACT NO.				
PLOT DATE = 12/23/2010		DATE -	REVISED -		ILLINOIS FED. AID PROJECT							