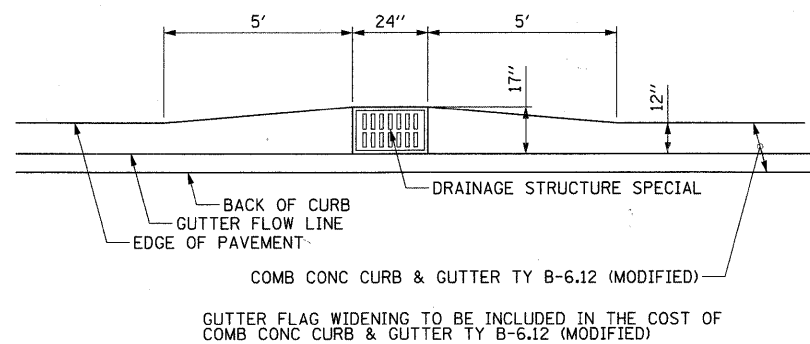
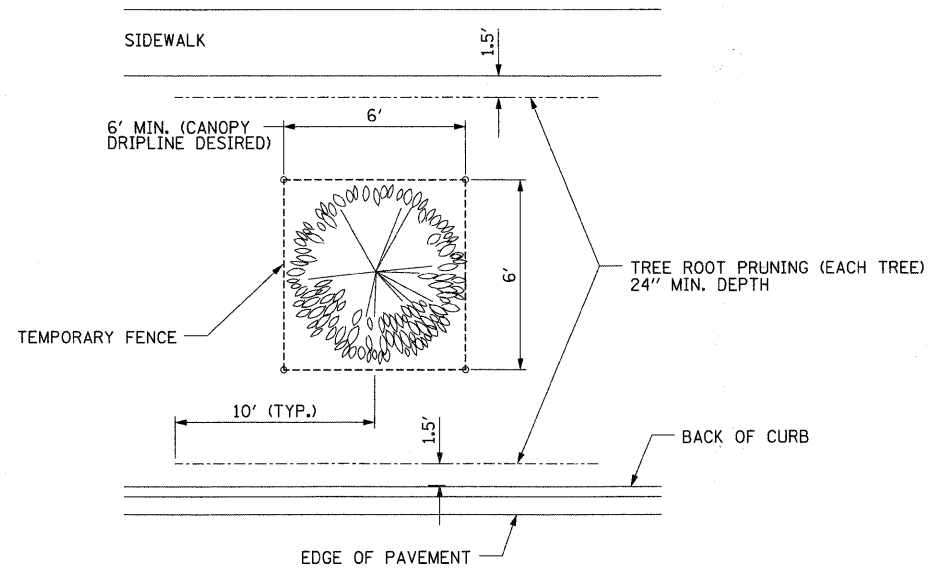


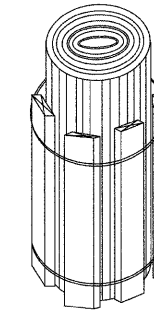
**DRAINAGE STRUCTURE SPECIAL DETAIL
(TO AVOID EXISTING 12" NICOR GAS MAIN)**



**GUTTER FLAG WIDENING DETAIL FOR
DRAINAGE STRUCTURE SPECIAL**



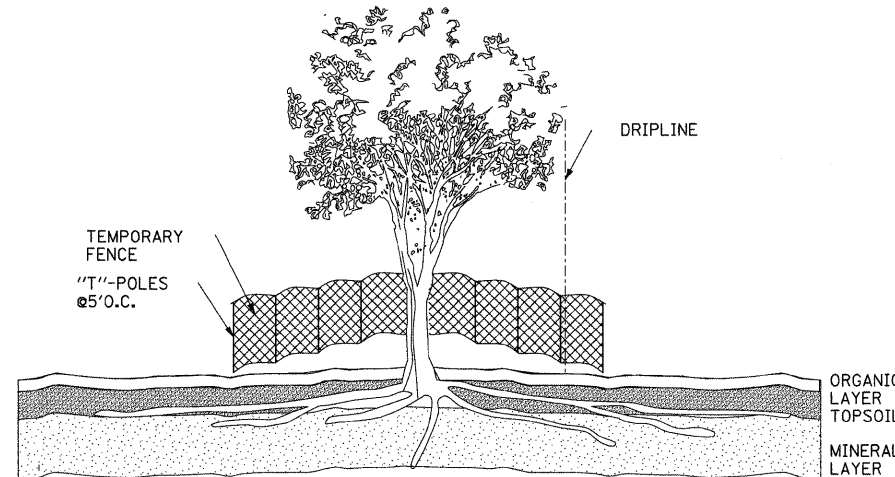
TREE & ROOT PROTECTION



2"x10"x6"(MIN) PLANKS - NO. REQUIRED VARIES W/ SIZE OF TREE (4 MIN)

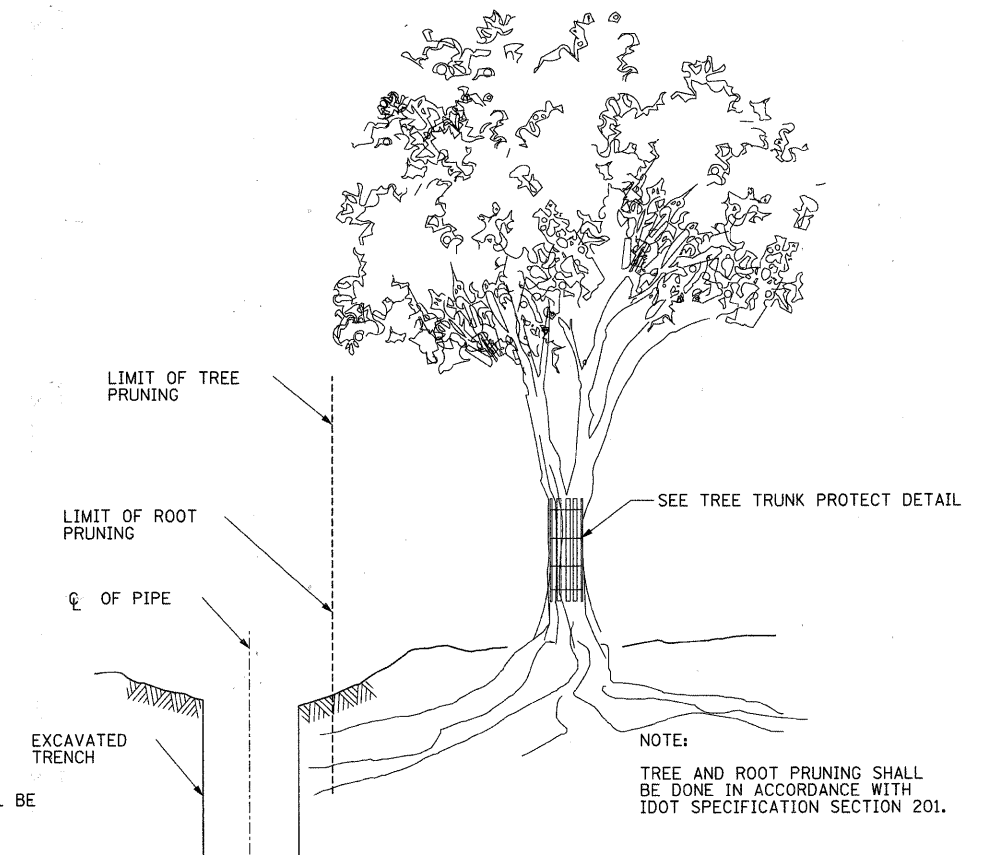
WIRE RETAINER NO 6 WIRE (MIN) WRAP AROUND BOARDS AND TWIST ENDS TOGETHER (BEND TWISTED ENDS TOWARD TREE)

TREE TRUNK PROTECTION



1. ORANGE CONSTRUCTION PROTECTION FENCING (FLUORESCENT POLYETHYLENE LAMINAR SAFETY NETTING OR APPROVED EQUIVALENT) WITH A MINIMUM HEIGHT OF 4 FEET SHALL BE INSTALLED THIS ORANGE CONSTRUCTION FENCING SHALL BE INSTALLED IN ADDITION TO THE EROSION CONTROL FENCING.
2. STAKES SHALL BE METAL "T" POLES SPACED NO FURTHER THAN 5 FEET ON CENTER. FENCING SHALL BE SECURED TO THE STAKES AT THE TOP AND BOTTOM OF THE STAKE.
3. FENCING SHALL BE INSTALLED AND INSPECTED BY THE ENGINEER PRIOR TO THE ONSET OF ANY CONSTRUCTION OR DEVELOPMENT ACTIVITIES.
4. UNDER NO CIRCUMSTANCES SHALL PROTECTIVE FENCING BE REMOVED WITHOUT APPROVAL FROM THE ENGINEER.
5. NO PERSON SHALL CONDUCT ACTIVITY WITH THE AREAS TO BE PROTECTED. PROHIBITED ACTIVITIES WITHIN THE RESOURCE PROTECTED AREAS SHALL INCLUDE, BUT NOT BE LIMITED TO:
 - A. NO SOLVENTS OR CHEMICALS.
 - B. NO BUILDING MATERIALS OR CONSTRUCTION EQUIPMENT.
 - C. NO GRADE CHANGES, INCLUDING EXCAVATION AND/OR FILLING.
 - D. NO REMOVAL OF VEGETATION FROM THE GROUND UP WITHOUT THE PERMISSION OF THE ENGINEER
 - E. NO SWALES WITHOUT THE PERMISSION OF THE ENGINEER. IN INSTANCES WHERE SWALES MUST BE PROPOSED THROUGH PROTECTED AREAS, THE SWALES SHALL BE HAND DUG. MACHINERY OF ANY KIND IS PROHIBITED.
 - F. NO SOIL EROSION CONTROL FENCING WITHIN THE DRIPLINE OF TREES WITHOUT THE PERMISSION OF THE ENGINEER.

TREE PROTECTION DETAIL



TREE AND ROOT PRUNING DETAIL

| | | | | | | | | | | | |
|---|-----------------------|----------------|-----------|---|--|-------------------------|-----------------|------------------------|----------------|---------------------------|--------------|
| FILE NAME = | USER NAME = MWORMAN | DESIGNED - MCW | REVISED - | STATE OF ILLINOIS DEPARTMENT OF TRANSPORTATION | CONSTRUCTION DETAILS PINGREE ROAD | | F.A.U. RTE. 126 | SECTION 08-00107-00-FP | COUNTY McHENRY | TOTAL SHEETS 50 | SHEET NO. 24 |
| N:\CRYSTALLAKE\100316\CV\1\DET02_120316.dwt | PLOT SCALE = 50' | DRAWN - PMM | REVISED - | | SCALE: | SHEET NO. 2 OF 7 SHEETS | STA. | TO STA. | CONTRACT NO. | ILLINOIS FED. AID PROJECT | |
| | PLOT DATE = 2/22/2011 | CHECKED - MCW | REVISED - | | | | | | | | |
| | | DATE - | REVISED - | | | | | | | | |