

CASTING SCHEDULE		
LOCATION	EJW	NEENAH
B or M 6.12 C&G	7235 M2	R3502-A
DEPRESSED CURB	7210 M3	R-3511
PAVED	1920	R-1713
NON-PAVED	1020	R-2535

ALTERNATE MATERIALS FOR WALLS		T
PRE-CAST REINFORCED CONCRETE SECTIONS		3"

Approved: City Engineer
Victor C. Ramirez, P.E.
 Director of Engineering and Building

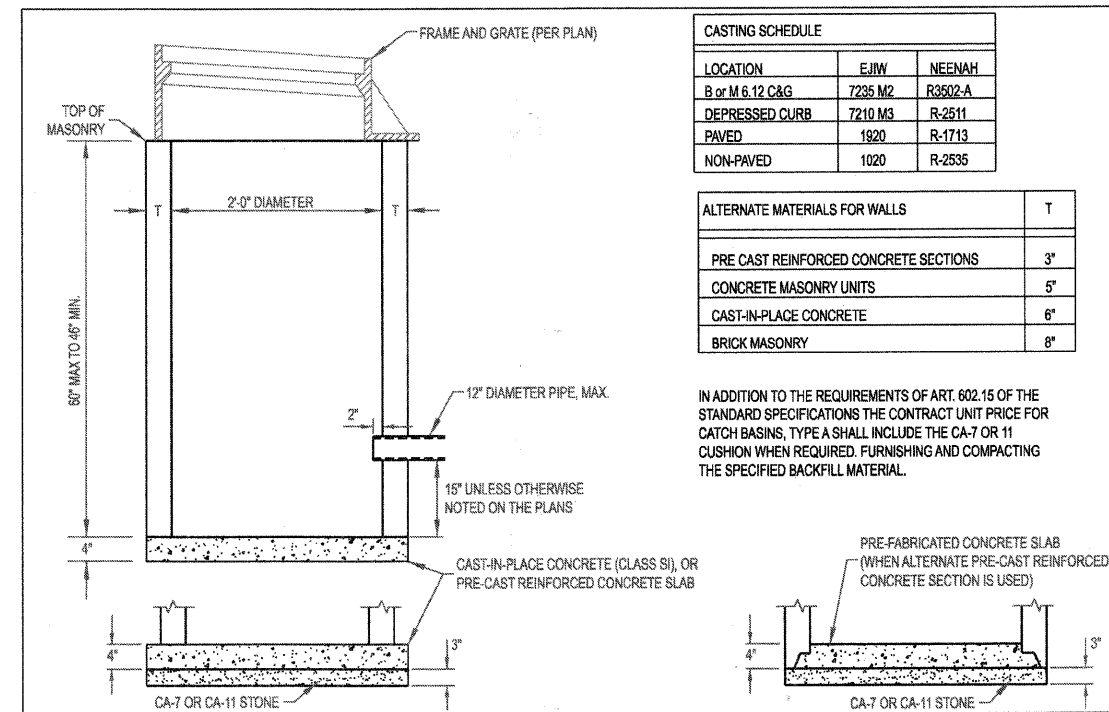
Drawing Name
**DRAINAGE STRUCTURES:
 INLET, TYPE A
 (WITH SPECIAL FRAME AND GRATE)**

Drawing Number
UD-01a

Date: 4/15/2007

Drawn: EM
 Checked: LZ

CRYSTAL LAKE ILLINOIS
 Engineering Division



CASTING SCHEDULE		
LOCATION	EJW	NEENAH
B or M 6.12 C&G	7235 M2	R3502-A
DEPRESSED CURB	7210 M3	R-2511
PAVED	1920	R-1713
NON-PAVED	1020	R-2535

ALTERNATE MATERIALS FOR WALLS		T
PRE-CAST REINFORCED CONCRETE SECTIONS		3"
CONCRETE MASONRY UNITS		5"
CAST-IN-PLACE CONCRETE		6"
BRICK MASONRY		8"

IN ADDITION TO THE REQUIREMENTS OF ART. 602.15 OF THE STANDARD SPECIFICATIONS THE CONTRACT UNIT PRICE FOR CATCH BASINS, TYPE A SHALL INCLUDE THE CA-7 OR 11 CUSHION WHEN REQUIRED. FURNISHING AND COMPACTING THE SPECIFIED BACKFILL MATERIAL.

Approved: City Engineer
Victor C. Ramirez, P.E.
 Director of Engineering and Building

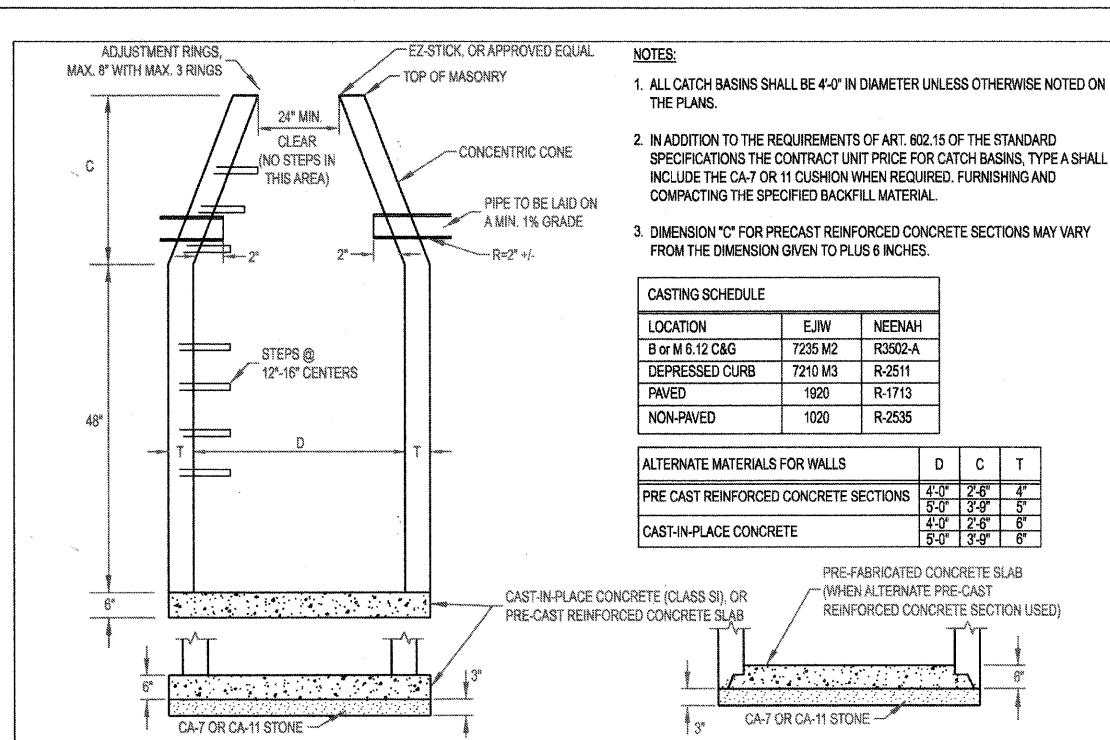
Drawing Name
**CATCH BASIN, TYPE C
 (WITH SPECIAL FRAME AND GRATE)**

Drawing Number
UD-01c

Date: 4/15/2007

Drawn: EM
 Checked: SC

CRYSTAL LAKE ILLINOIS
 Engineering Division



- NOTES:
- ALL CATCH BASINS SHALL BE 4'-0" IN DIAMETER UNLESS OTHERWISE NOTED ON THE PLANS.
 - IN ADDITION TO THE REQUIREMENTS OF ART. 602.15 OF THE STANDARD SPECIFICATIONS THE CONTRACT UNIT PRICE FOR CATCH BASINS, TYPE A SHALL INCLUDE THE CA-7 OR 11 CUSHION WHEN REQUIRED. FURNISHING AND COMPACTING THE SPECIFIED BACKFILL MATERIAL.
 - DIMENSION "C" FOR PRECAST REINFORCED CONCRETE SECTIONS MAY VARY FROM THE DIMENSION GIVEN TO PLUS 6 INCHES.

CASTING SCHEDULE		
LOCATION	EJW	NEENAH
B or M 6.12 C&G	7235 M2	R3502-A
DEPRESSED CURB	7210 M3	R-2511
PAVED	1920	R-1713
NON-PAVED	1020	R-2535

ALTERNATE MATERIALS FOR WALLS			
	D	C	T
PRE-CAST REINFORCED CONCRETE SECTIONS	4'-0"	2'-6"	4"
	5'-0"	3'-9"	5"
CAST-IN-PLACE CONCRETE	4'-0"	2'-6"	6"
	5'-0"	3'-9"	6"

Approved: City Engineer
Victor C. Ramirez, P.E.
 Director of Engineering and Building

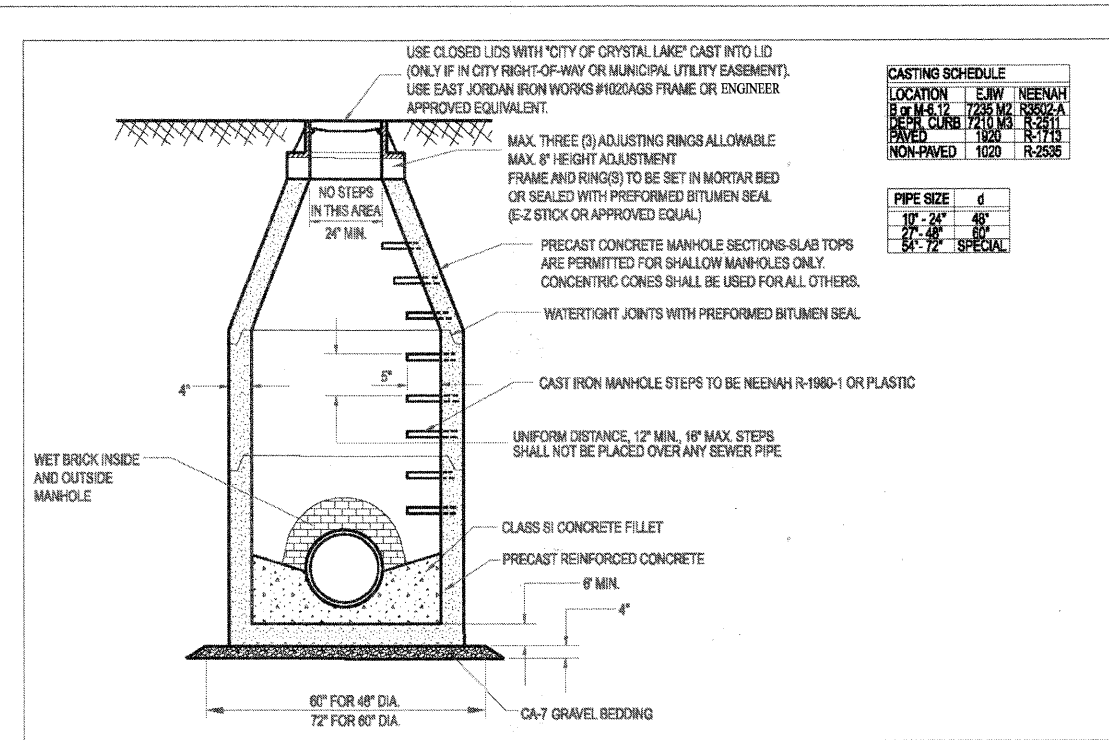
Drawing Name
**CATCH BASIN, TYPE A
 (WITH SPECIAL FRAME AND GRATE)**

Drawing Number
UD-01b

Date: 4/15/2007

Drawn: EM
 Checked: LZ

CRYSTAL LAKE ILLINOIS
 Engineering Division



CASTING SCHEDULE		
LOCATION	EJW	NEENAH
B or M 6.12 C&G	7235 M2	R3502-A
DEP. CURB	7210 M3	R-2511
PAVED	1920	R-1713
NON-PAVED	1020	R-2535

PIPE SIZE		d
10" - 24"	48"	
27" - 48"	60"	
54" - 72"	SPECIAL	

Approved: City Engineer
Victor C. Ramirez, P.E.
 Director of Engineering and Building

Drawing Name
**STORM MANHOLE
 TYPE A
 (WITH SPECIAL FRAME AND GRATE)**

Drawing Number
UD-01d

Date: 4/15/2007

Drawn: EM
 Checked: LZ

CRYSTAL LAKE ILLINOIS
 Engineering Division